



**With us
optimised
is standard.**

Suspension and masking technology
for the surface finishing industry

A man with a beard, wearing a dark sweater over a light-colored collared shirt, is looking intently at a green metal frame structure. The background is a workshop or factory setting with various tools and equipment visible. The word "Together" is overlaid in large orange letters on the left side of the image.

Together

We have no doubt that our customers have full control of how they achieve maximum flow efficiency. Our task is to provide them with the means to achieve that level optimally. At Epifatech we recognise and appreciate the expertise and experience of our customers. Our aim is to use our knowledge and capability to help them progress. It has never been a question of delivering a mass-produced product. What we are seeking is a partnership with our customers to achieve a specially adapted solution.

Cooperation begins at an early stage where we examine the customer's production process. How many parts need to be finished at the same time? How much space is available? How can the suspension systems be transported and stored?

The preliminary study is a crucial part of the project as we acquire an understanding of the needs of the customer. This then gives us a basis for presenting a design that is best suited to each assignment. That is how we and our customers work together to achieve common goals.







ideas

When developing a new suspension system, the starting point is determining how many parts will need to be placed on each frame and how it will affect the finishing technique.

We have experience of suspension systems that work in different ways depending on the finishing technique. A part could be electroplated to achieve overall protection against corrosion. The same part could then move on to be powder coated – but only certain sections. The other sections need to be masked. In the past, each part was masked manually before coating, which proved extremely time-consuming. A manual system was also less precise. With a solution from Epifatech, the same design can be used for both complete electroplating and partial powder coating. This not only means that a great deal of extra masking can be avoided, it also eliminates the need to transfer parts to a new frame when moving on to the next finishing stage.

By thinking innovatively we identify new approaches and deliver solutions that function down to the part level. Solutions that will last a long time and which, with the application of logistics thinking, are adapted to the customer's production system and their specific requirements. Optimised on every level.



An aerial photograph of a dense forest. The trees are mostly green, but there are significant patches of yellow and orange, suggesting autumn. A road or path runs diagonally across the upper left portion of the image. The overall lighting is somewhat dim, with a dark, moody atmosphere.

come to life

Surface finishing can differ quite significantly – and on many levels. Quality stipulations presented by our customers are becoming increasingly stringent. This makes stricter demands on the finishing and the suspension system. We ensure that we see the totality in each project and we allow the end-product to govern the way we work.

Our suspension systems help make the process as smooth and optimised as possible from start to finish. A slightly more advanced suspension system could also make it easier to synchronise the different phases. By doing so, our customers have better control over the entire process through to the finished product at the end-customer.

We maintain that the process and end-result are equally important and to underpin this principle we provide a complete concept where the outcome is based clearly on pre-set objectives.





optimised

Optimising production is an obvious ambition when it comes to suspension systems for surface finishing. At Epifatech optimisation involves seeing the totality and resolving problems becomes an integral part of our work process. It is all about saving time by having systems that are carefully adapted to the part that is to be suspended. But it is also a question of flexibility and eliminating unnecessary handling. If, for example, suspension systems are used at different stages, it could be important to store the systems optimally to save on space. It could also be a question of developing an efficient process for sending away systems to have paint burnt off. With several systems hanging on the same frame, they can be easily burnt together in a considerably shorter period of time than if they were handled individually.

By focusing on the process as a whole and not just the actual suspension arrangement, we can provide added value for the customer, which in the final analysis saves time and offers long-term sustainability.





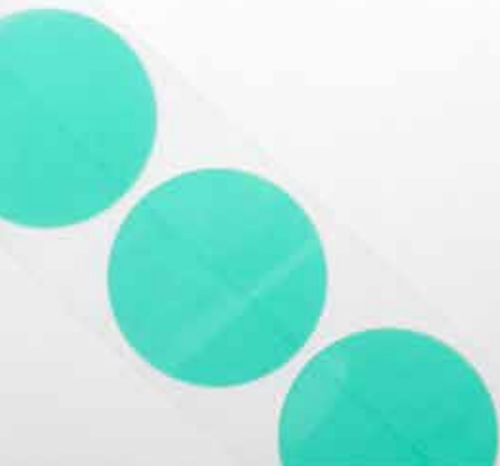
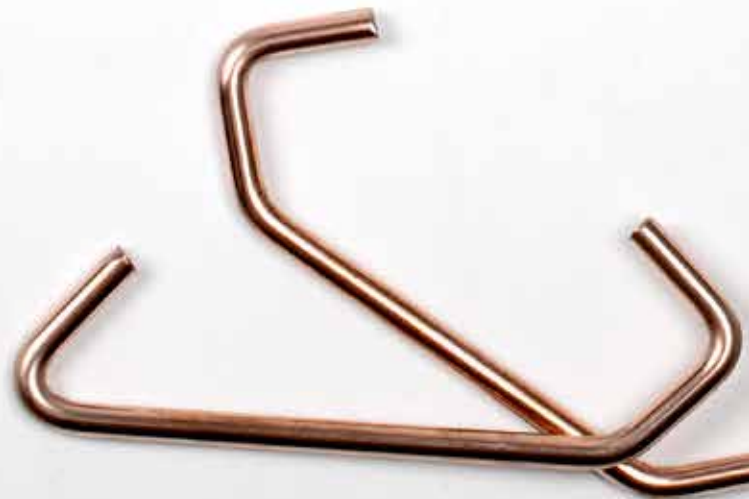
and quality driven.

We believe in a quality-driven work process. With our highly stable suspension systems, all the components are fixed, allowing full control of the dimensions and distance between the parts. When suspended, the parts hang in the same way every time. Not only does this simplify the process, it is a vital requirement when a system is robotised.

Quality is also a matter of gaining the trust of the customer. Ensuring that our solutions can be adapted to all types of projects and operations is a priority. To achieve this, we have not locked ourselves into a standard range. Instead we strive in every way to be flexible and by doing so deliver products based on needs. The result is that we can offer complete, optimised solutions without them necessarily costing more.

By immersing ourselves in our customer's production process, logistics and storage systems we build up a solid partnership with a level of quality that is consistently high throughout the whole process.

With us
optimised
is standard.





SHAPING COLLABORATION

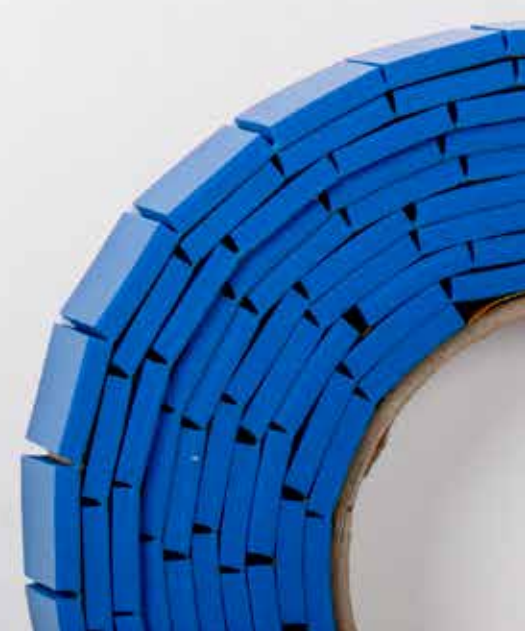
At Epifatech we develop and manufacture suspension systems for electroplating and powder coating. We also offer a wide range of masking options. We have been operating for more than 40 years and we have more experience in the industry than the majority of our competitors.

In cooperation with our customers we have produced effective solutions in a range of areas and we are now represented throughout the whole of Europe.

We have a wide assortment of hooks, fittings, masking equipment, plugs and other products

although our main strength lies in our flexibility. Working closely with our customers, we constantly seek to find specially adapted solutions. We usually say that we have optimised solutions as standard. By this we mean that it should not need to cost more to have an adapted system than it would to buy ready-made standard solutions.

Not only are we committed, we are also competitive. This is enhanced by the open cooperation we strive for with our customers. We have worked with the majority of our customers for a long time, which is a clear sign of our mutual success.



It's your profit!

We're constantly working on solutions to optimise your entire surface finishing process long-term. Short and sweet. You earn more money.

Together, we oversee the entire process flow, including logistics which are also important when it comes to saving time.

#1

DEVELOPMENT ON-DEMAND

Knowledge, holistic solutions and a drive to always be moving forwards make Bogelack one of the market's most respected surface finishing suppliers. With mutual trust and outstanding engagement, Epifatech has been a contributing factor in making Bogelack's production both more systematic and more effective.

Read more on pages 18-19



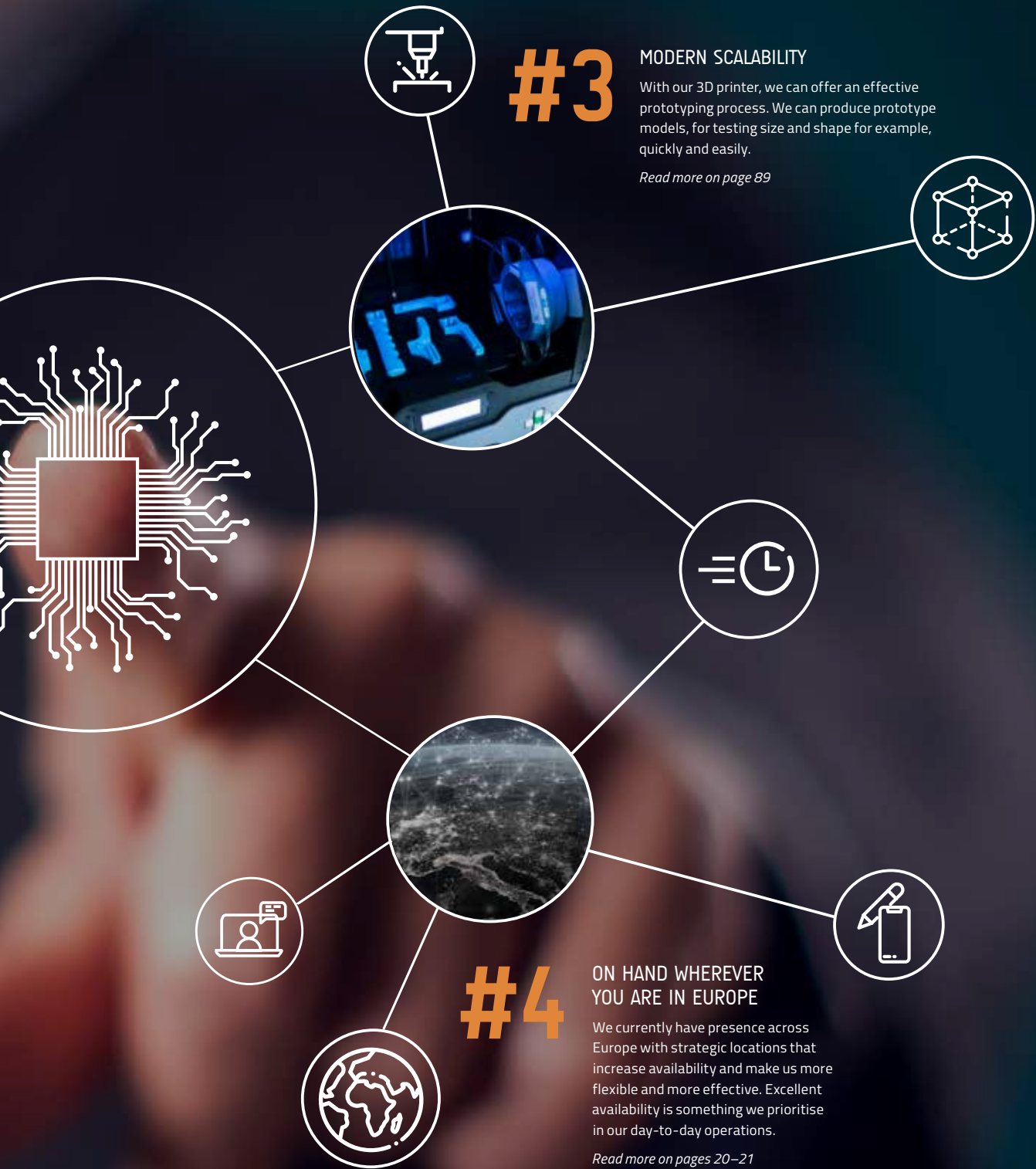
#2

PATENTED SOLUTIONS

We at Epifatech have come up with a patented solution for using products which require powder coating and ED coating simultaneously.

Read more on pages 16-17





#3

MODERN SCALABILITY

With our 3D printer, we can offer an effective prototyping process. We can produce prototype models, for testing size and shape for example, quickly and easily.

Read more on page 89

#4

ON HAND WHEREVER YOU ARE IN EUROPE

We currently have presence across Europe with strategic locations that increase availability and make us more flexible and more effective. Excellent availability is something we prioritise in our day-to-day operations.

Read more on pages 20–21

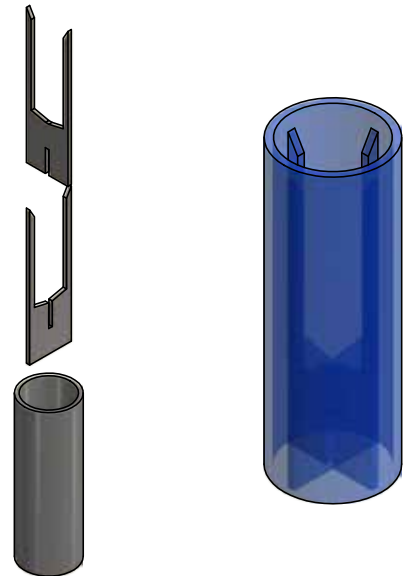
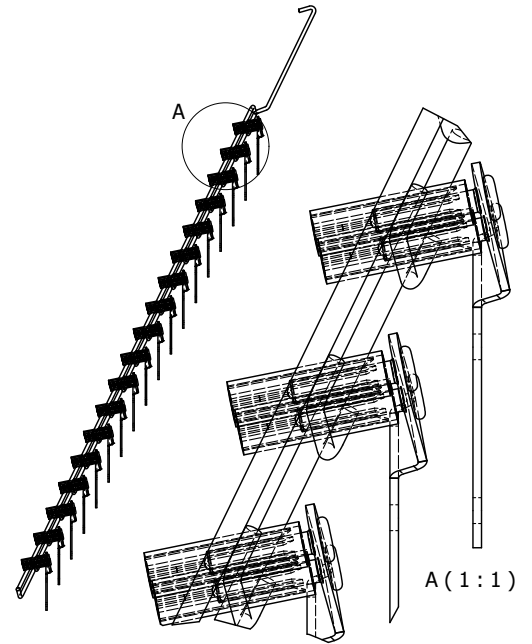


Patented solutions:

HOLDER FOR SURFACE FINISHING SYSTEM

If you're a manufacturer of various types of metal products, it's sometimes important that you apply surface finishing to your products. One of the reasons we apply surface finishing to items is to make them more resistant to corrosion and less susceptible to external influences. Another reason is to get a neat and tidy finished product that looks great.

After lengthy testing and countless reviews, we at Epifatech have come up with a patented solution for using products which require powder coating and ED coating simultaneously. Since this process requires a solution for suspension and masking in parallel, we have created a system for different sizes of axles which not only saves time by simplifying logistics, but also saves on extra masking costs.



Development on-demand: Bogelack

Having used Epifatech as his supplier for more than 30 years, CEO and Chief of Marketing at Bogelack in Ulricehamn, Roger Wallentin, is one very happy customer.

Knowledge, holistic solutions and a drive to always be moving forwards make Bogelack one of the market's most respected surface finishing suppliers. With mutual trust and outstanding engagement, Epifatech has been a contributing factor in making Bogelack's production both more systematic and more effective.

"Epifatech is a supplier that listens to you and by bringing ideas to life they have helped to make our process more effective," explains Roger.

Some projects are more complicated than others. Epifatech is an approachable and flexible supplier that engages personally to find smart solutions on all sorts of projects.

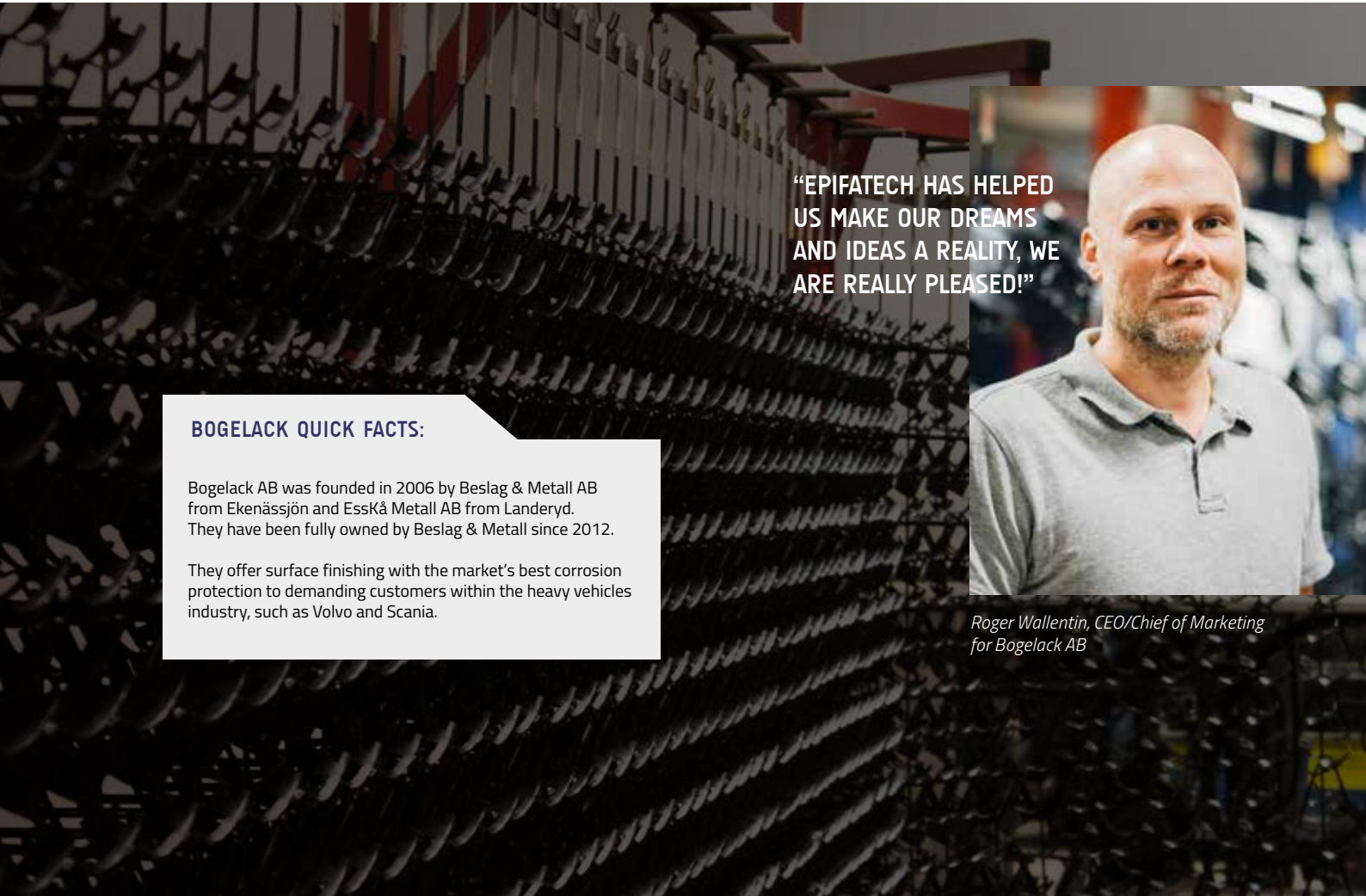
THE PROCESS: STEP-BY-STEP

1

The process begins when the customer gets a product that needs the best possible functional suspension. Some parts might also need to be protected using surface finishing. Being able to produce the best possible suspension comes from the demand for the desired result.

2

The customer gets in touch with Epifatech and tells us what they want and what they need from a solution. Together, Epifatech and the customer discuss potential solutions, taking into account various aspects such as logistics, ergonomics and operation.



“EPIFATECH HAS HELPED US MAKE OUR DREAMS AND IDEAS A REALITY, WE ARE REALLY PLEASED!”



Roger Wallentin, CEO/Chief of Marketing for Bogelack AB

BOGELACK QUICK FACTS:

Bogelack AB was founded in 2006 by Beslag & Metall AB from Ekenässjön and EssKå Metall AB from Landeryd. They have been fully owned by Beslag & Metall since 2012.

They offer surface finishing with the market’s best corrosion protection to demanding customers within the heavy vehicles industry, such as Volvo and Scania.

3

Epifatech prepares a basic illustration which we review with the customer to come up with any adjustments such as changes to dimensions, the suspension function and possibly masking. Picking out and removing parts and storage trolleys is also an important aspect that is reviewed in order to assist with logistics.

4

After customer approval, Epifatech produces a prototype solution for testing before series production can begin. In order to get a bigger set of more reliable results, the prototype comes in whatever quantity the individual customer wants.

On hand wherever you are in Europe:

At Epifatech, we value our customers and the open cooperation that forms the basis of long-term, mutual relationships. Together with our customers, we find new ways of creating ideal solutions adapted to customers' wants and needs.

We currently have presence across Europe with strategic locations that increase availability and make us more flexible and more effective. This also strengthens our customer service as we can deliver products to our customers faster and

more sustainably. Distribution centres across Europe create better availability with closer connections and even closer proximity to our customers. Increasing distribution is important when it comes to facilitating the process, for both us and the customer. This makes us flexible by giving us the ability to deliver our specialised solutions to our customer faster if required – excellent availability is one of our top priorities in our day-to-day operations.

OUR DISTRIBUTION CENTRES

Sweden	Romania
Poland	Hungary
Norway	Austria
Finland	Switzerland
Denmark	Netherlands
Estonia	Belgium
Latvia	France
Lithuania	Italy
Germany	Spain
England	Turkey
Czechia (Czech Republic)	Slovakia
Bulgaria	Croatia
Greece	Serbia



Head office
Gislaved, Sweden



SWEDEN

POLAND



Łowicz, Poland

Contents

FIND WHAT YOU REQUIRE IN OUR PRODUCT RANGE

We have divided our product range into five areas. You will find products with both standard dimensions and with dimensions that are adapted entirely to your needs.

24

POWDER COATING

Universal suspension system	26
Strut for universal suspension system	29
Simple suspension system	32
Strut for simple universal system	33
Suspension strut	37
Simple suspension system	38
Arrowheads	40
Accessories	42
Internal suspension standard	46
Storage	48
Case	49

50

HOOKS

Hook 1	52
Hook 2	55
Hook 3	58
Hook 4	62
Hook 5	68
Hook 6	74
Hook with short leg	76
Suspension hook	77
Special	78

82

MASKING FOR HOLES AND AXLES

Masking for holes	84
Masking for axles	98
Masking other	105

108

MASKING TAPE

Tape	110
Tape discs	112
Special tape	114
Tape dispenser	116

118

ELECTROPLATING

Universal suspension system	120
Fixture head	122
Accessories	123
Special solutions	124
Anodising	125

132

TERMS AND CONDITIONS OF SALE AND CONTACT INFORMATION

Talk soon!	132
------------	-----



Powder coating

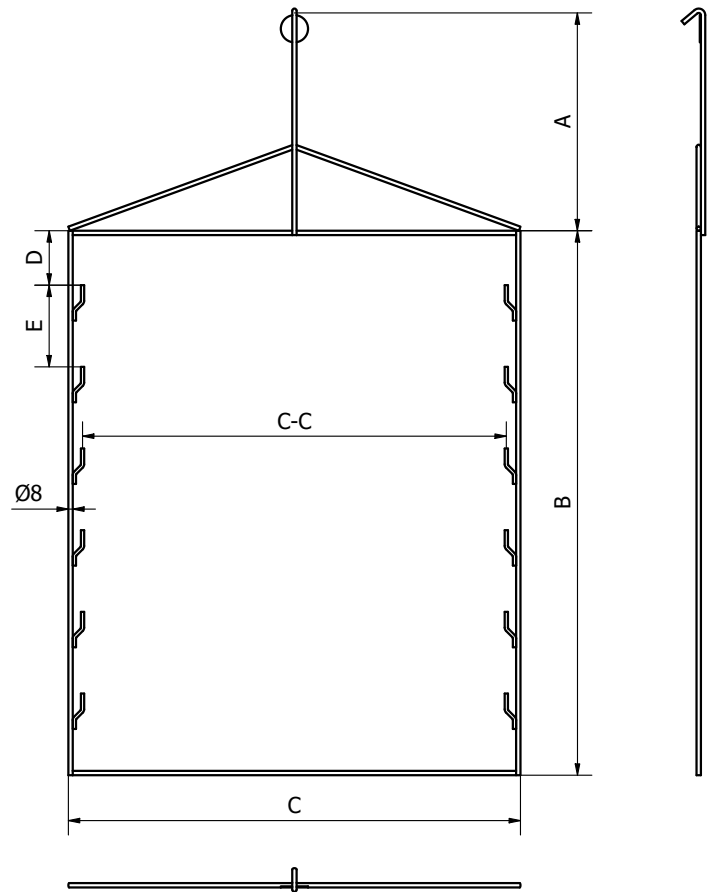
24-49

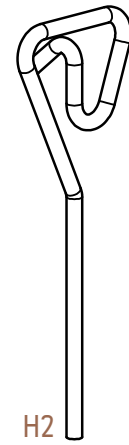
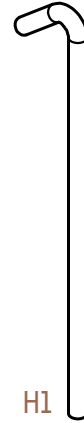
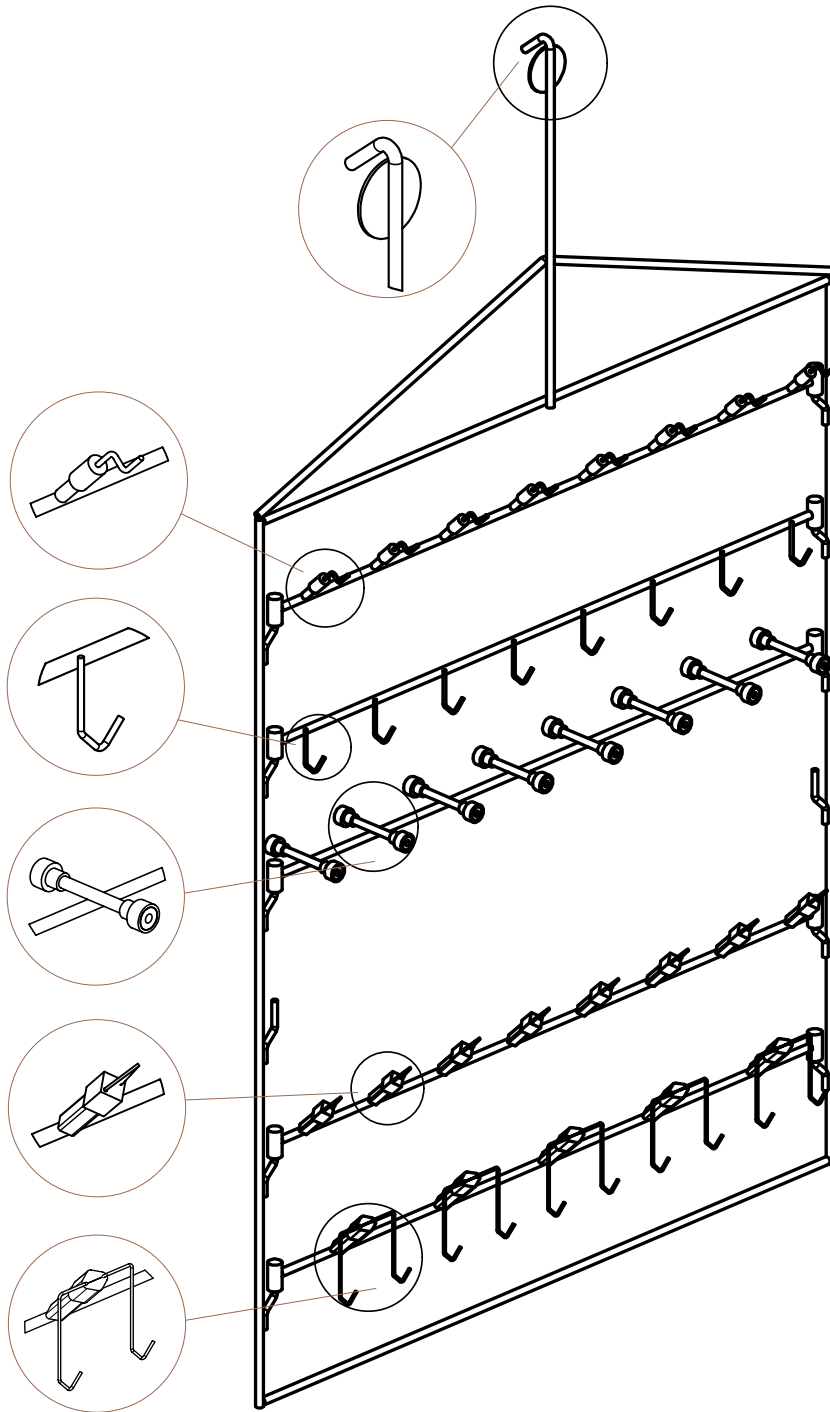
Universal suspension system	26
Strut for universal suspension system	29
Simple suspension system	32
Strut for simple universal system	33
Suspension strut	37
Simple suspension system	38
Arrowheads	40
Accessories	42
Internal suspension standard	46
Storage	48
Case	49

FIXED FRAME SYSTEM

Fixed frame with interchangeable struts to make the frame stable and flexible. Struts can be placed on different levels individually as desired. Other frame dimensions can be ordered to size.

Art.No.	Amm	Bmm	Cmm	Dmm	Emm	C-C mm	No./levels
RSF1	200	800	700	50	100	648	7
RSF2	200	1000	700	50	100	648	9
RSF3	200	1500	700	50	100	648	14
RSF4	200	800	800	75	150	748	5
RSF5	200	1000	800	75	150	748	6
RSF6	200	1500	800	75	150	748	10
RSF7	200	800	1000	100	200	948	4
RSF8	200	1000	1000	100	200	948	5
RSF9	200	1500	1000	100	200	948	7
RSF10	500	800	700	50	100	648	7
RSF11	500	1000	700	50	100	648	9
RSF12	500	1500	700	50	100	648	14
RSF13	500	800	800	75	150	748	5
RSF14	500	1000	800	75	150	748	6
RSF15	500	1500	800	75	150	748	10
RSF16	500	800	1000	100	200	948	4
RSF17	500	1000	1000	100	200	948	5
RSF18	500	1500	1000	100	200	948	7
RSF19	700	800	700	50	100	648	7
RSF20	700	1000	700	50	100	648	9
RSF21	700	1500	700	50	100	648	14
RSF22	700	800	800	75	150	748	5
RSF23	700	1000	800	75	150	748	6
RSF24	700	1500	800	75	150	748	10
RSF25	700	800	1000	100	200	948	4
RSF26	700	1000	1000	100	200	948	5
RSF27	700	1500	1000	100	200	948	7

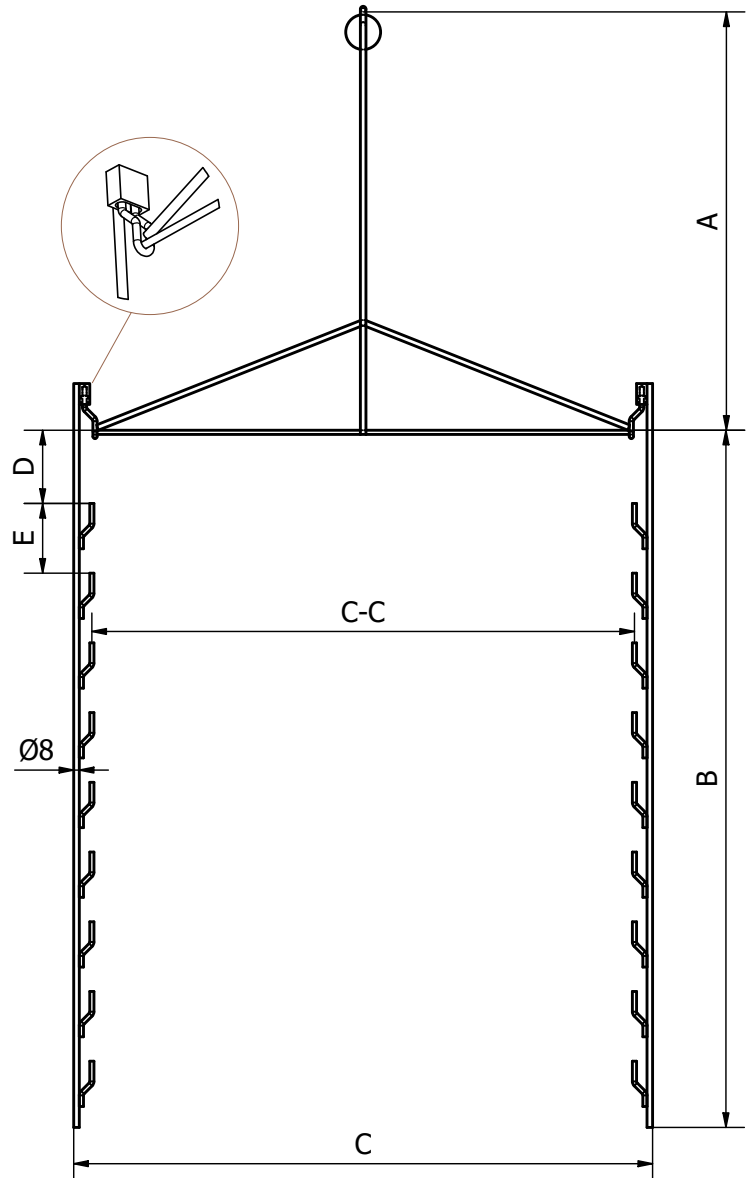


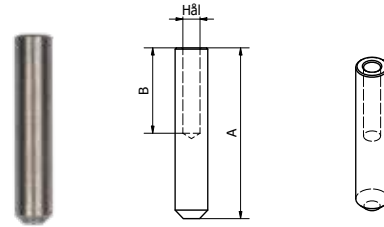
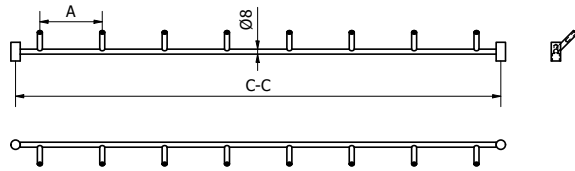


FLEXIBLE FRAME SYSTEM

Flexible frame with fixed suspension and loose levels on the sides. During storage, the sides are removed so that the storage area is not overly large. Dimensions made to order.

Art.No.	Amm	Bmm	Cmm	Dmm	Emm	C-C mm	No./levels
FFS1	200	725	700	50	100	648	7
FFS2	200	925	700	50	100	648	9
FFS3	200	1425	700	50	100	648	14
FFS4	200	750	800	75	150	748	5
FFS5	200	900	800	75	150	748	6
FFS6	200	1500	800	75	150	748	10
FFS7	200	775	1000	100	200	948	4
FFS8	200	975	1000	100	200	948	5
FFS9	200	1375	1000	100	200	948	7
FFS10	500	725	700	50	100	648	7
FFS11	500	925	700	50	100	648	9
FFS12	500	1425	700	50	100	648	14
FFS13	500	750	800	75	150	748	5
FFS14	500	900	800	75	150	748	6
FFS15	500	1500	800	75	150	748	10
FFS16	500	775	1000	100	200	948	4
FFS17	500	975	1000	100	200	948	5
FFS18	500	1375	1000	100	200	948	7
FFS19	700	725	700	50	100	648	7
FFS20	700	925	700	50	100	648	9
FFS21	700	1425	700	50	100	648	14
FFS22	700	750	800	75	150	748	5
FFS23	700	900	800	75	150	748	6
FFS24	700	1500	800	75	150	748	10
FFS25	700	775	1000	100	200	948	4
FFS26	700	975	1000	100	200	948	5
FFS27	700	1375	1000	100	200	948	7





STRUT WITH SLEEVE

Strut for exchangeable hooks, Z-hooks etc.

Art.No.	C-Cmm	Amm	No./sleeves	Pcs/box
TSMH1	648	50	13	30
TSMH2	748	50	15	30
TSMH3	848	50	17	25
TSMH4	948	50	19	25
TSMH5	648	75	9	30
TSMH6	748	75	10	30
TSMH7	848	75	11	25
TSMH8	948	75	13	25
TSMH9	648	100	7	30
TSMH10	748	100	8	30
TSMH11	848	100	9	25
TSMH12	948	100	10	25
TSMH13	648	150	5	30
TSMH14	748	150	5	30
TSMH15	848	150	6	25
TSMH16	948	150	7	25

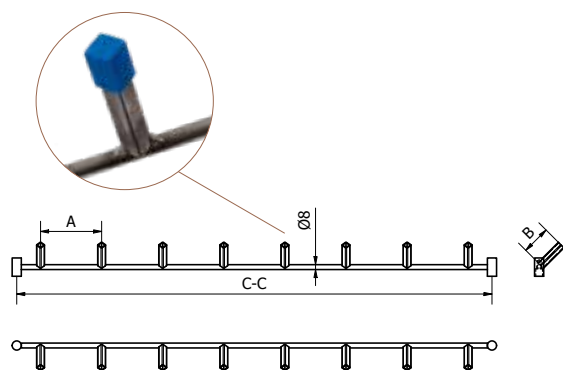
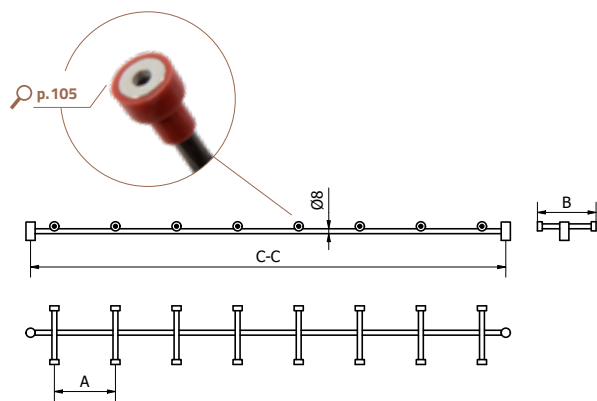
STEEL SLEEVE STRUT

Sleeve for interchangeable hooks, e.g. z-hooks.

See p. 37 for masking for sleeves.

Art.No.	Amm	Bmm	Diameter	Hole
STHST1	20	12	8	2,2
STHST2	20	12	8	3,2
STHST3	20	12	8	4,2
STHST4	40	20	8	2,2
STHST5	40	20	8	3,2
STHST6	40	20	8	4,2
STHST7	40	30	8	2,2
STHST8	40	30	8	3,2
STHST9	40	30	8	4,2
STHST10	40	20	6	2,2





MAGNETIC STRUT



A magnetic strut with exchangeable magnets that are protected by an adapted silicone sleeve.

Art.No.	C-C mm	A mm	B mm	No./hanging points	Pcs/box
STMG1	648	50	96	26	25
STMG2	748	50	96	30	25
STMG3	848	50	96	34	25
STMG4	948	50	96	38	25
STMG5	648	75	96	18	25
STMG6	748	75	96	20	25
STMG7	848	75	96	22	25
STMG8	948	75	96	26	25
STMG9	648	100	96	14	25
STMG10	748	100	96	16	25
STMG11	848	100	96	18	25
STMG12	948	100	96	20	25
STMG13	648	150	96	10	25
STMG14	748	150	96	10	25
STMG15	848	150	96	12	25
STMG16	948	150	96	14	25

STRUT WITH SQUARE TUBING, 10X10

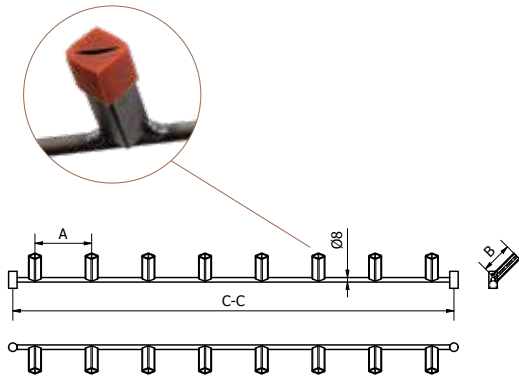
Strut for arrowhead suspension.

Art.No.	C-C mm	A mm	B mm	No./tube	Pcs/box
STRL1	648	50	45	13	30
STRL2	748	50	45	15	30
STRL3	848	50	45	17	25
STRL4	948	50	45	19	25
STRL5	648	75	45	9	30
STRL6	748	75	45	10	30
STRL7	848	75	45	11	25
STRL8	948	75	45	13	25
STRL9	648	100	45	7	30
STRL10	748	100	45	8	30
STRL11	848	100	45	9	25
STRL12	948	100	45	10	25
STRL13	648	150	45	5	30
STRL14	748	150	45	5	30
STRL15	848	150	45	6	25
STRL16	948	150	45	7	25

SQUARE PIPE MASKING

Square masking for pipe.

Art.No.	Pcs/box
SQ 9, 5 x 9,5 x 17,5	500
SQ 9, 5 x 9,5 x 17,5X	500



STRUT WITH SQUARE TUBING, 15X15

Strut for arrowhead suspension.

Art.No.	C-Cmm	Amm	Bmm	No./tube	Pcs/box
STRS1	648	50	45	13	30
STRS2	748	50	45	15	30
STRS3	848	50	45	17	25
STRS4	948	50	45	19	25
STRS5	648	75	45	9	30
STRS6	748	75	45	10	30
STRS7	848	75	45	11	25
STRS8	948	75	45	13	25
STRS9	648	100	45	7	30
STRS10	748	100	45	8	30
STRS11	848	100	45	9	25
STRS12	948	100	45	10	25
STRS13	648	150	45	5	30
STRS14	748	150	45	5	30
STRS15	848	150	45	6	25
STRS16	948	150	45	7	25



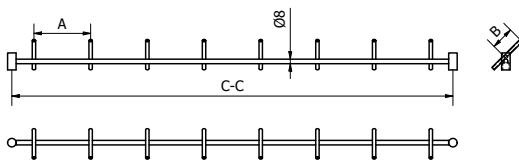
SQUARE PIPE MASKING

Square masking for pipe.

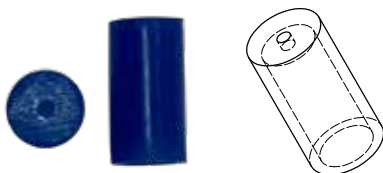
Art.No.	Antal/krt
SQC 25 x 19	500

STRUT WITH PIPE

Lateral strut with pipe for use with Z-hook or standard hook.



Art.No.	C-Cmm	A mm	Bmm	No./tube	Pcs/box
STMR1	648	50	42	13	25
STMR2	748	50	42	15	25
STMR3	848	50	42	17	25
STMR4	948	50	42	19	25
STMR5	648	75	42	9	25
STMR6	748	75	42	10	25
STMR7	848	75	42	11	25
STMR8	948	75	42	13	25
STMR9	648	100	42	7	25
STMR10	748	100	42	8	25
STMR11	848	100	42	9	25
STMR12	948	100	42	10	25
STMR13	648	150	42	5	25
STMR14	748	150	42	5	25
STMR15	848	150	42	6	25
STMR16	948	150	42	7	25



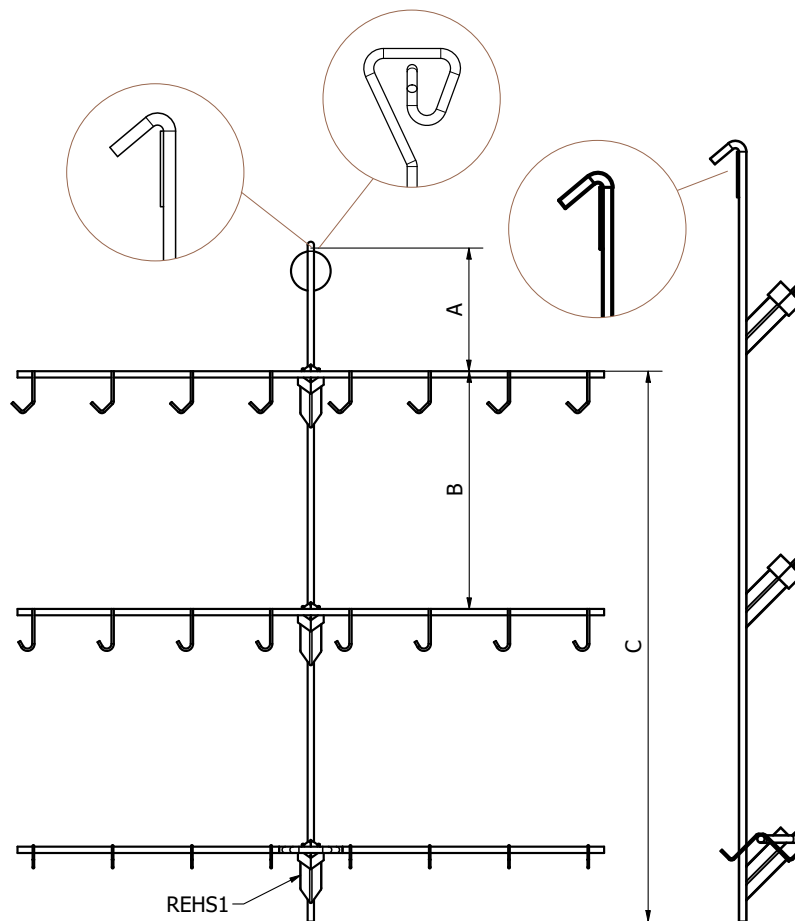
SILICON SLEEVE FOR STEEL PIPE

Art.No.	Amm	Bmm	Cmm	Pcs/box
FC-5,7x19x2,0	5,7	19	2,0	1000

SIMPLE SUSPENSION SYSTEM

A flexible, time-saving suspension system. The simple suspension of the strut allows hooks to be changed rapidly and cost-effectively. This suspension system is particularly suited to larger volumes.

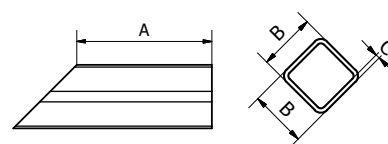
Art.No.	Amm	Bmm	Cmm	No./sleeves
EHS1	200	100	800	8
EHS2	200	100	1000	10
EHS3	200	100	1500	15
EHS4	200	150	700	5
EHS5	200	150	1000	7
EHS6	200	150	1450	10
EHS7	200	200	700	4
EHS8	200	200	900	5
EHS9	200	200	1500	8
EHS10	500	100	800	8
EHS11	500	100	1000	10
EHS12	500	100	1500	15
EHS13	500	150	700	5
EHS14	500	150	1000	7
EHS15	500	150	1450	10
EHS16	500	200	700	4
EHS17	500	200	900	5
EHS18	500	200	1500	8
EHS19	700	100	800	8
EHS20	700	100	1000	10
EHS21	700	100	1500	15
EHS22	700	150	700	5
EHS23	700	150	1000	7
EHS24	700	150	1450	10
EHS25	700	200	700	4
EHS26	700	200	900	5
EHS27	700	200	1500	8



SQUARE PIPE MASKING

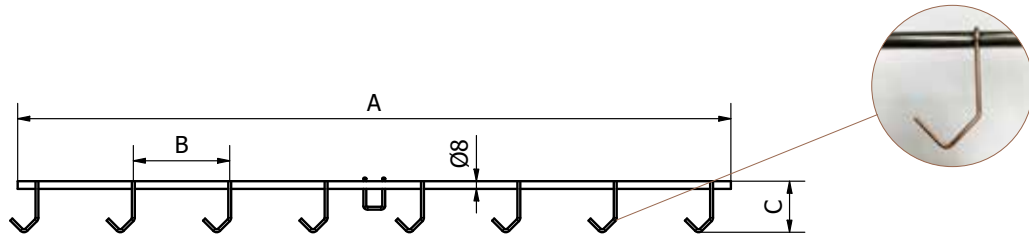
Square masking for pipe.

Art.No.	Pcs/box
SQ 19,5x19,5x20	400



PIPE FOR SIMPLIFIED SUSPENSION SYSTEM

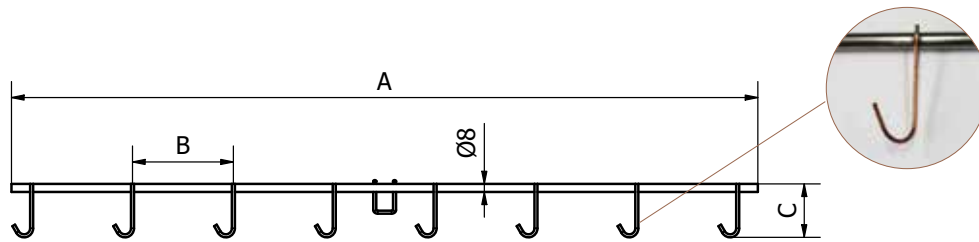
Art.No.	A	B	C
REHS1	55	20	1,5



STRUT 1

Strut with a double bent hook. Also available for frame system.

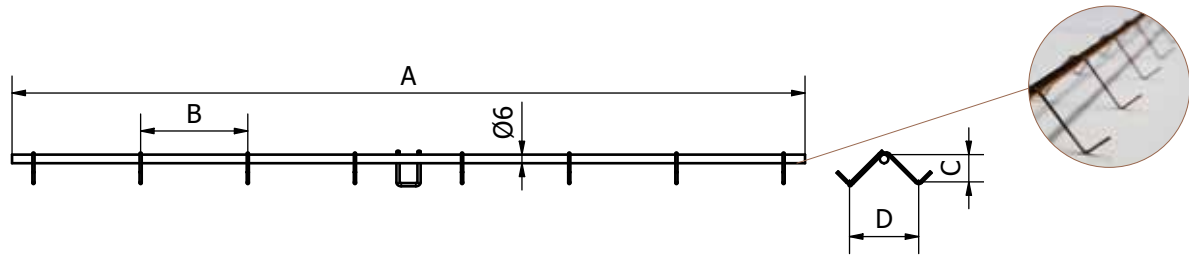
Art.No.	Amm	Bmm	Cmm	Wire diameter mm	No./hooks	Pcs/box
STG1-600-50	600	50	53	2	10	50
STG1-600-50-45	600	50	53	2	10	50
STG1-600-50-90	600	50	53	2	10	50
STG1-700-50	700	50	53	2	12	50
STG1-700-50-45	700	50	53	2	12	50
STG1-700-50-90	700	50	53	2	12	50
STG1-800-50	800	50	53	2	14	50
STG1-800-50-45	800	50	53	2	14	50
STG1-800-50-90	800	50	53	2	14	50
STG1-650-75	650	75	53	2	8	50
STG1-650-75-45	650	75	53	2	8	50
STG1-650-75-90	650	75	53	2	8	50
STG1-800-75	800	75	53	2	10	50
STG1-800-75-45	800	75	53	2	10	50
STG1-800-75-90	800	75	53	2	10	50
STG1-600-100	600	100	53	2	6	50
STG1-600-100-45	600	100	53	2	6	50
STG1-600-100-90	600	100	53	2	6	50
STG1-800-100	800	100	53	2	8	50
STG1-800-100-45	800	100	53	2	8	50
STG1-800-100-90	800	100	53	2	8	50
STG1-800-150	800	150	53	2	6	50
STG1-800-150-45	800	150	53	2	6	50
STG1-800-150-90	800	150	53	2	6	50



STRUT 2

Strut with a round hook. Also available for frame system.

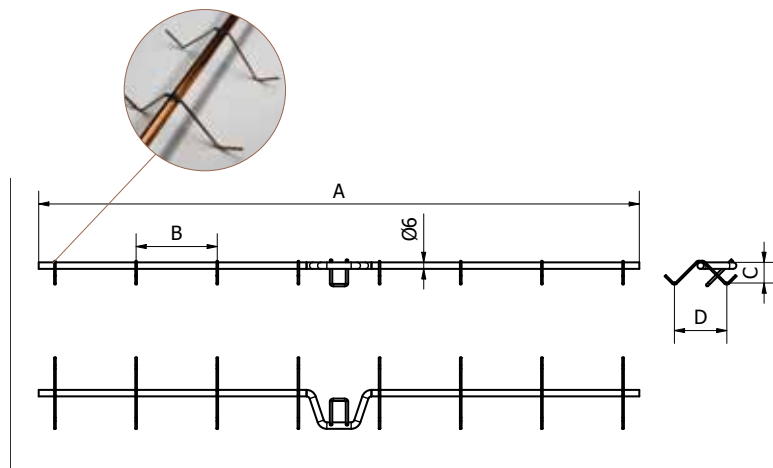
Art.No.	A mm	B mm	C mm	Wire diameter mm	No./hooks	Pcs/box
STG2-600-50	600	50	53	2	10	50
STG2-600-50-45	600	50	53	2	10	50
STG2-600-50-90	600	50	53	2	10	50
STG2-700-50	700	50	53	2	12	50
STG2-700-50-45	700	50	53	2	12	50
STG2-700-50-90	700	50	53	2	12	50
STG2-800-50	800	50	53	2	14	50
STG2-800-50-45	800	50	53	2	14	50
STG2-800-50-90	800	50	53	2	14	50
STG2-650-75	650	75	53	2	8	50
STG2-650-75-45	650	75	53	2	8	50
STG2-650-75-90	650	75	53	2	8	50
STG2-800-75	800	75	53	2	10	50
STG2-800-75-45	800	75	53	2	10	50
STG2-800-75-90	800	75	53	2	10	50
STG2-600-100	600	100	53	2	6	50
STG2-600-100-45	600	100	53	2	6	50
STG2-600-100-90	600	100	53	2	6	50
STG2-800-100	800	100	53	2	8	50
STG2-800-100-45	800	100	53	2	8	50
STG2-800-100-90	800	100	53	2	8	50



STRUT 3

Strut for the simplified suspension system with a double hook for suspension on both sides.
Also available for frame system.

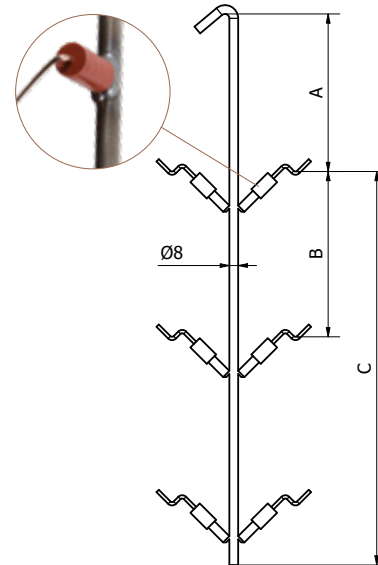
Art.No.	Amm	Bmm	Cmm	Dmm	Wire diameter mm	No./hooks	Pcs/box
STG3-600-50	600	50	26,6	52	2	10	50
STG3-600-50-45	600	50	26,6	52	2	10	50
STG3-600-50-90	600	50	26,6	52	2	10	50
STG3-700-50	700	50	26,6	52	2	12	50
STG3-700-50-45	700	50	26,6	52	2	12	50
STG3-700-50-90	700	50	26,6	52	2	12	50
STG3-800-50	800	50	26,6	52	2	14	50
STG3-800-50-45	800	50	26,6	52	2	14	50
STG3-800-50-90	800	50	26,6	52	2	14	50
STG3-650-75	650	75	26,6	52	2	8	50
STG3-650-75-45	650	75	26,6	52	2	8	50
STG3-650-75-90	650	75	26,6	52	2	8	50
STG3-800-75	800	75	26,6	52	2	10	50
STG3-800-75-45	800	75	26,6	52	2	10	50
STG3-800-75-90	800	75	26,6	52	2	10	50
STG3-600-100	600	100	26,6	52	2	6	50
STG3-600-100-45	600	100	26,6	52	2	6	50
STG3-600-100-90	600	100	26,6	52	2	6	50
STG3-800-100	800	100	26,6	52	2	8	50
STG3-800-100-45	800	100	26,6	52	2	8	50
STG3-800-100-90	800	100	26,6	52	2	8	50
STG3-800-150	800	150	26,6	52	2	6	50
STG3-800-150-45	800	150	26,6	52	2	6	50
STG3-800-150-90	800	150	26,6	52	2	6	50



STRUT 4

Strut for the simplified suspension system with a centred strut and double hook for suspension on both sides.

Art.No.	Amm	Bmm	Cmm	D mm	Wire diameter	No./ hooks	Pcs/ box
STG4-600-50	600	50	26,6	52	2	10	50
STG4-600-50-45	600	50	26,6	52	2	10	50
STG4-600-50-90	600	50	26,6	52	2	10	50
STG4-700-50	700	50	26,6	52	2	12	50
STG4-700-50-45	700	50	26,6	52	2	12	50
STG4-700-50-90	700	50	26,6	52	2	12	50
STG4-800-50	800	50	26,6	52	2	14	50
STG4-800-50-45	800	50	26,6	52	2	14	50
STG4-800-50-90	800	50	26,6	52	2	14	50
STG4-650-75	650	75	26,6	52	2	8	50
STG4-650-75-45	650	75	26,6	52	2	8	50
STG4-650-75-90	650	75	26,6	52	2	8	50
STG4-800-75	800	75	26,6	52	2	10	50
STG4-800-75-45	800	75	26,6	52	2	10	50
STG4-800-75-90	800	75	26,6	52	2	10	50
STG4-600-100	600	100	26,6	52	2	6	50
STG4-600-100-45	600	100	26,6	52	2	6	50
STG4-600-100-90	600	100	26,6	52	2	6	50
STG4-800-100	800	100	26,6	52	2	8	50
STG4-800-100-45	800	100	26,6	52	2	8	50
STG4-800-100-90	800	100	26,6	52	2	8	50
STG4-800-150	800	150	26,6	52	2	6	50
STG4-800-150-45	800	150	26,6	52	2	6	50
STG4-800-150-90	800	150	26,6	52	2	6	50



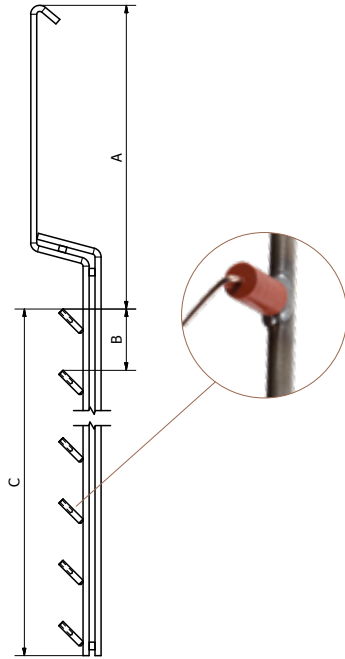
SLEEVE SUSPENSION

A smaller version of the suspension system where the hooks are held in the rubber bracket itself. Hooks are easy to change and make the system very versatile.

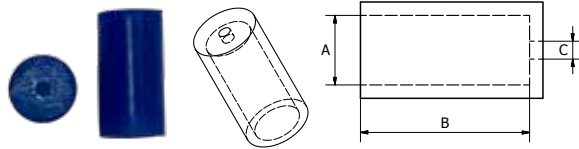
Art.No.	Amm	Bmm	Cmm	No./sleeves
SMH1	200	100	770	16
SMH2	200	100	970	20
SMH3	200	100	1470	30
SMH4	200	150	820	12
SMH5	200	150	970	14
SMH6	200	150	1420	20
SMH7	200	200	670	8
SMH8	200	200	870	10
SMH9	200	200	1470	16
SMH10	500	100	770	16
SMH11	500	100	970	20
SMH12	500	100	1470	30
SMH13	500	150	820	12
SMH14	500	150	970	14
SMH15	500	150	1420	20
SMH16	500	200	670	8
SMH17	500	200	870	10
SMH18	500	200	1470	16
SMH19	700	100	770	16
SMH20	700	100	970	20
SMH21	700	100	1470	30
SMH22	700	150	820	12
SMH23	700	150	970	14
SMH24	700	150	1420	20
SMH25	700	200	670	8
SMH26	700	200	870	10
SMH27	700	200	1470	16

REINFORCED SLEEVE SUSPENSION

Reinforced sleeve suspenders for extra stable suspension.



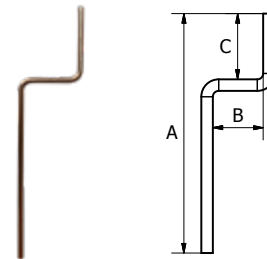
Art.No.	Amm	Bmm	Cmm	No./sleeves
HHF1	200	100	760	8
HHF2	200	100	960	10
HHF3	200	100	1460	15
HHF4	200	150	810	6
HHF5	200	150	960	7
HHF6	200	150	1410	10
HHF7	200	200	660	4
HHF8	200	200	860	5
HHF9	200	200	1460	8
HHF10	500	100	760	8
HHF11	500	100	960	10
HHF12	500	100	1460	15
HHF13	500	150	810	6
HHF14	500	150	960	7
HHF15	500	150	1410	10
HHF16	500	200	660	4
HHF17	500	200	860	5
HHF18	500	200	1460	8
HHF19	700	100	760	8
HHF20	700	100	960	10
HHF21	700	100	1460	15
HHF22	700	150	810	6
HHF23	700	150	960	7
HHF24	700	150	1410	10
HHF25	700	200	660	4
HHF26	700	200	860	5
HHF27	700	200	1460	8



SILICONE SLEEVE FOR STEEL TUBE

In addition to the suspension strut, steel sleeve masking can be used for suspension systems (page 26) and struts (page 29). The sleeve has a flat top to prevent air from entering and to avoid fluid accumulation.

Art.No.	Amm	Bmm	Cmm	Pcs/box
FC-5,7x19x2,0	5,7	19	2,0	1000
FC-7,8x19x2,0	7,8	19	2,0	1000
FC-7,8x19x2,5	7,8	19	2,5	1000
FC-7,8x19x3,5	7,8	19	3,5	1000
FC-11,8x19x5,5	11,8	19	5,5	1000



Z-HOOK

A Z-hook fits our steel sleeves and is available in any desired size.

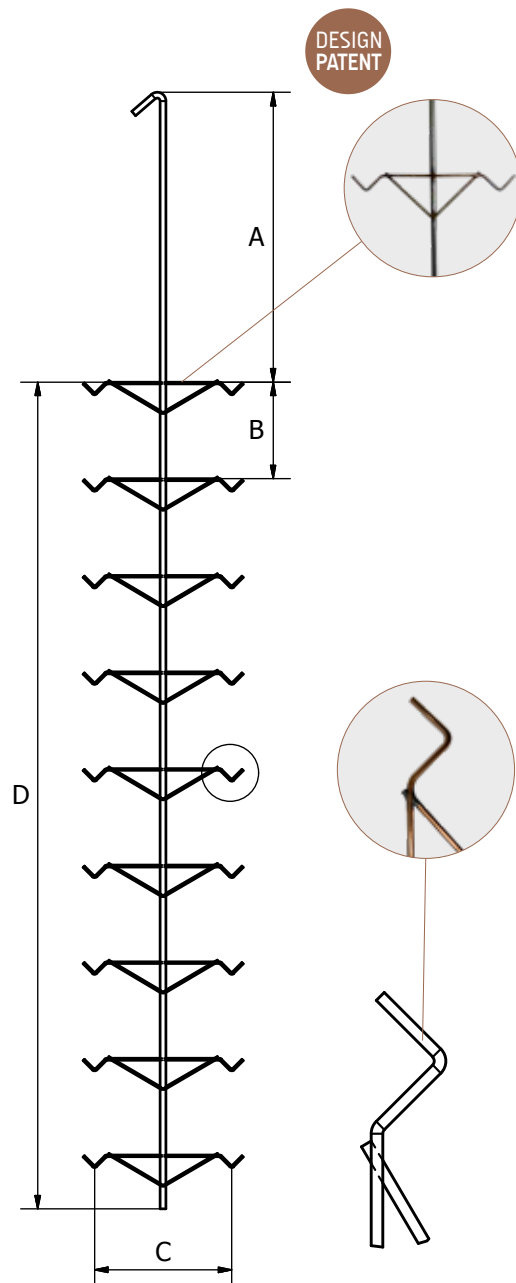
Art.No.	Amm	Bmm	Cmm	Pcs/box
Z-krok45x13x17x1,5	62	13	45	5000
Z-krok45x13x17x2,0	62	13	45	4000
Z-krok45x13x17x2,5	62	13	45	2500
Z-krok45x13x17x3,0	62	13	45	2500
Z-krok45x13x17x4,0	62	15	45	1000

FIXED SYSTEM JIG

Cost-effective suspension

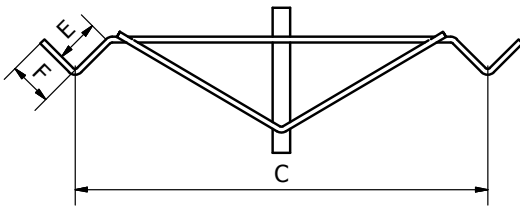
A robust design and construction that ensure suspension marks are kept to a minimum. Adapted to allow variation in spacing between levels. The total length can be adapted as necessary. As the structure is made from thin wire, powder coating is kept to a minimum, resulting in less powder waste.

Art.No.	Amm	Bmm	Cmm	Dmm	No./levels
FSJ1-200-50	200	50	142	750	16
FSJ1-200-75	200	75	142	750	11
FSJ1-200-100	200	100	142	700	8
FSJ1-200-150	200	150	142	750	6
FSJ1-200-200	200	200	142	800	5
FSJ1-200-300	200	300	142	900	4
FSJ1-300-50	300	50	142	750	16
FSJ1-300-75	300	75	142	750	11
FSJ1-300-100	300	100	142	800	9
FSJ1-300-150	300	150	142	900	7
FSJ1-300-200	300	200	142	1000	6
FSJ1-300-300	300	300	142	900	4
FSJ1-500-50	500	50	142	750	16
FSJ1-500-75	500	75	142	750	11
FSJ1-500-100	500	100	142	900	10
FSJ1-500-150	500	150	142	900	7
FSJ1-500-200	500	200	142	1000	6
FSJ1-500-300	500	300	142	900	4
FSJ190-200-50	200	50	142	750	16
FSJ190-200-75	200	75	142	750	11
FSJ190-200-100	200	100	142	700	8
FSJ190-200-150	200	150	142	750	6
FSJ190-200-200	200	200	142	800	5
FSJ190-200-300	200	300	142	900	4
FSJ190-300-50	300	50	142	750	16
FSJ190-300-75	300	75	142	750	11
FSJ190-300-100	300	100	142	800	9
FSJ190-300-150	300	150	142	900	7
FSJ190-300-200	300	200	142	1000	6
FSJ190-300-300	300	300	142	900	4
FSJ190-500-50	500	50	142	750	16
FSJ190-500-75	500	75	142	750	11
FSJ190-500-100	500	100	142	900	10
FSJ190-500-150	500	150	142	900	7
FSJ190-500-200	500	200	142	1000	6
FSJ190-500-300	500	300	142	900	4

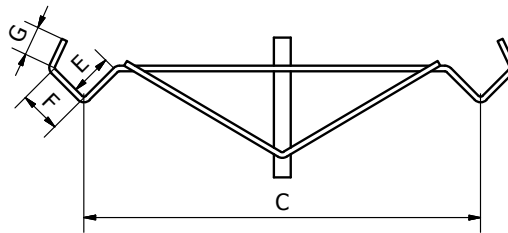


STANDARD HOOKS

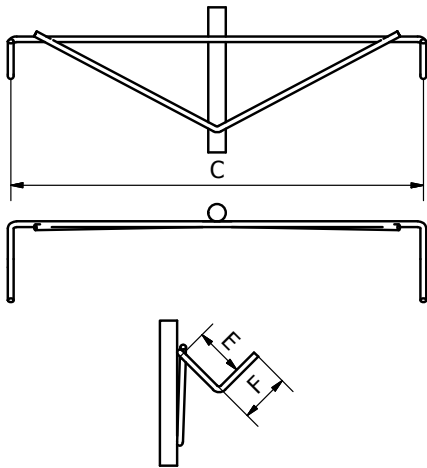
Art.No.	E mm	F mm
KFSTS1-1,5	15	15
KFSTS1-2,0	15	15

**HOOK WITH EXTRA LEG**

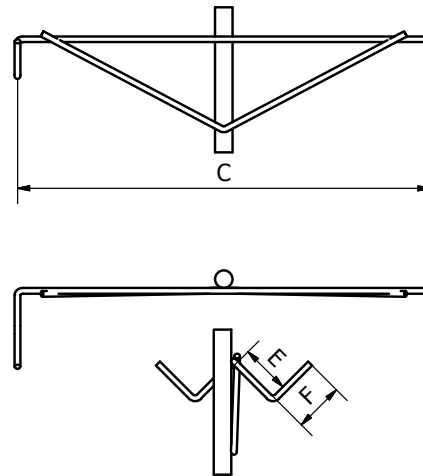
Art.No.	E mm	F mm	G mm
KFSTS2-1,5	15	15	10
KFSTS2-2,0	15	15	10

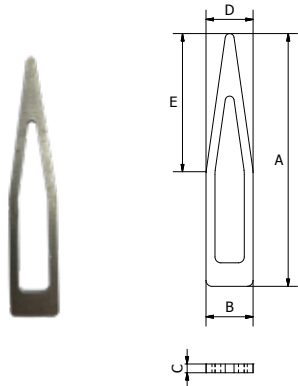
**90-DEGREE HOOK**

Art.No.	E mm	F mm
KFSTS3-1,5	15	15
KFSTS3-2,0	15	15

**180-DEGREE HOOK**

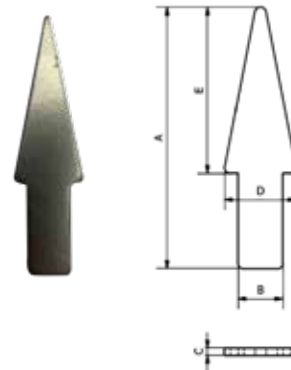
Art.No.	E mm	F mm
KFSTS4-1,5	15	15
KFSTS4-2,0	15	15





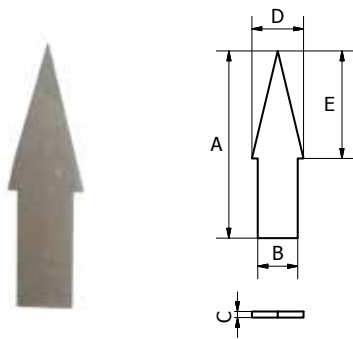
ARROWHEAD, OPEN

Art.No.	Amm	Bmm	Cmm	Dmm	Emm	Pcs/box
EPI-PSO-1,5	86	12	1,5	16	47	1000
EPI-PSO-2,0	86	12	2	16	47	1000
EPI-PSO-3,0	86	12	3	16	47	1000



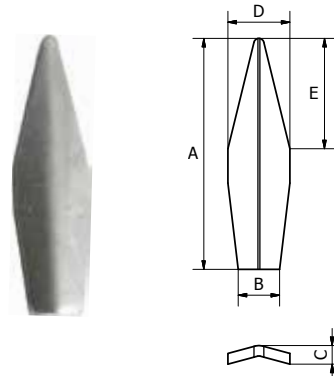
ARROWHEAD FOR FIXTURE

Art.No.	Amm	Bmm	Cmm	Dmm	Emm	Pcs/box
EPI-PSR-1,5	55	9,5	1,5	15	35	1000
EPI-PSR-2,0	55	9,5	2,00	15	35	1000
EPI-PSR-3,0	55	9,5	3,00	15	35	1000



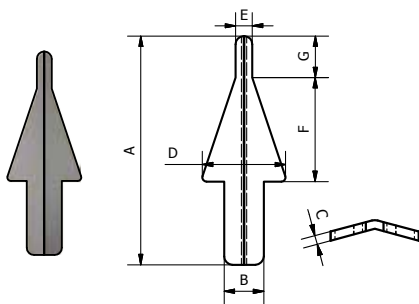
ARROWHEAD FOR SQUARE PIPE 10X10

Art.No.	Amm	Bmm	Cmm	Dmm	Emm	Pcs/box
EPI-PSPL-1,5	46,5	9,5	1,5	13	26	1000
EPI-PSPL-2,0	46,5	9,5	2,00	13	26	1000
EPI-PSPL-3,0	46,5	9,5	3,00	13	26	1000



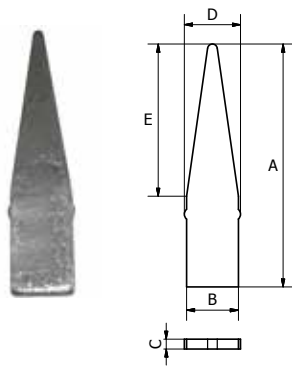
COLD-FORGED ARROWHEAD FOR FIXTURE

Art.No.	Amm	Bmm	Cmm	Dmm	Emm	Thickness	Pcs/box
EPI-KPSF-1,5	67	12	5	18	32	1,5	1000
EPI-KPSF-2,0	67	12	5	18	32	2,0	1000
EPI-KPSF-3,0	67	12	5	18	32	3,0	500



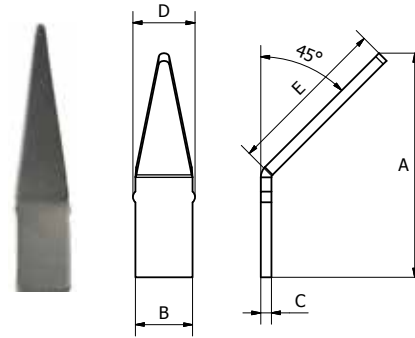
ARROWHEAD, ANGLED

Art.No.	Amm	Bmm	Cmm	Dmm	Emm	Fmm	Gmm	Pcs/box
EPI-PSFS-1,5	55	9,5	1,5	20	4	25	10	1000
EPI-PSFS-2,0	55	9,5	2	20	4	25	10	1000
EPI-PSFS-3,0	55	9,5	3	20	4	25	10	1000



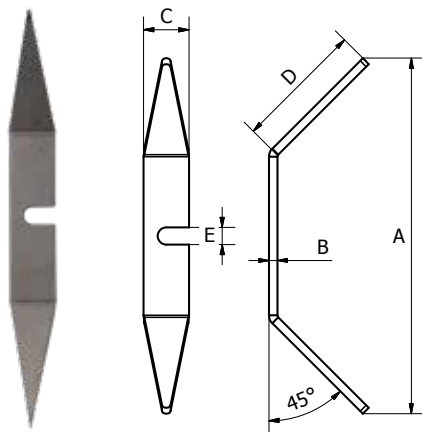
STRAIGHT ARROWHEAD

Art.No.	Amm	Bmm	Cmm	Dmm	Emm	Pcs/box
EPI-PSP-1,5	75	16	1,5	17,3	47	1000
EPI-PSP-2,0	75	16	2	17,3	47	1000
EPI-PSP-3,0	75	16	3	17,3	47	1000



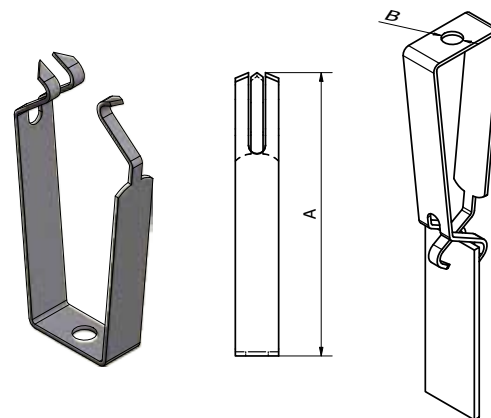
45° ANGLE ARROWHEAD

Art.No.	Amm	Bmm	Cmm	Dmm	E mm	Pcs/box
EPI-PSP45-1,5	62	16	1,5	17,3	47	1000
EPI-PSP45-2,0	62	16	2	17,3	47	1000
EPI-PSP45-3,0	62	16	3	17,3	47	1000



DOUBLE ARROWHEAD

Art.No.	Amm	Bmm	Cmm	Dmm	Emm	Pcs/box
EPI-DPS-1,5	130,3	16	16	48	6	1000
EPI-DPS-2,0	130,3	16	16	48	6	1000
EPI-DPS-3,0	130,3	16	16	48	6	1000



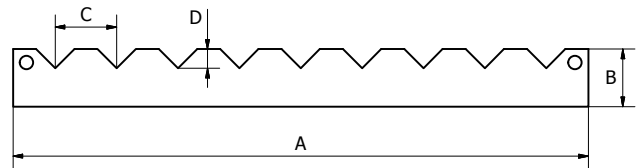
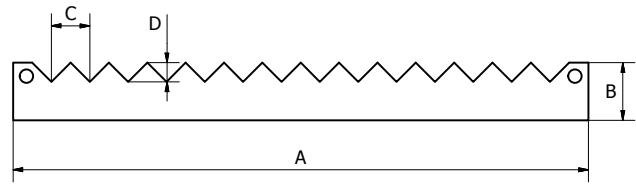
STAINLESS STEEL METAL CLAMP

Can clamp onto an axle or a flat surface, such as a metal sheet.

Art.No.	Amm	Bmm	Pcs/box
PKRO	85	6,6	250

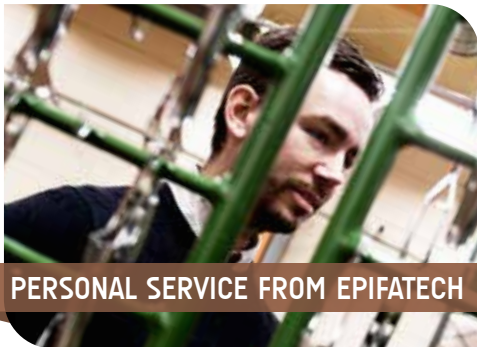
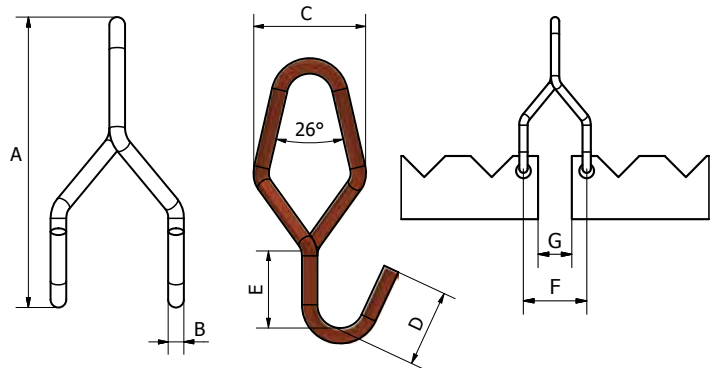
CONVEYOR COMBS

Our different conveyor combs are available in a range of designs and dimensions based on requirements or adapted to existing systems. The image on the right shows a few examples of what we have produced.



COMB HOOK

Art.No.	Amm	Bmm	Cmm	Dmm	Emm	Fmm	Gmm	Pcs/box
KAMKROK	74	4	29	20	19,5	30	16	350



PERSONAL SERVICE FROM EPIFATECH

At Epifatech we adapt each product to suit specific customer requirements. With a personal contact and ongoing cooperation, we create optimised solutions that cover the entire production process.

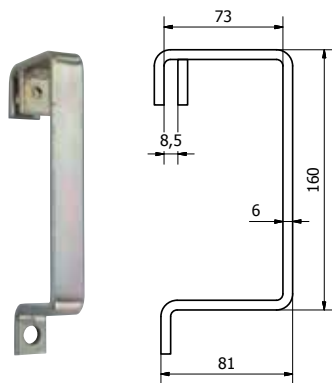
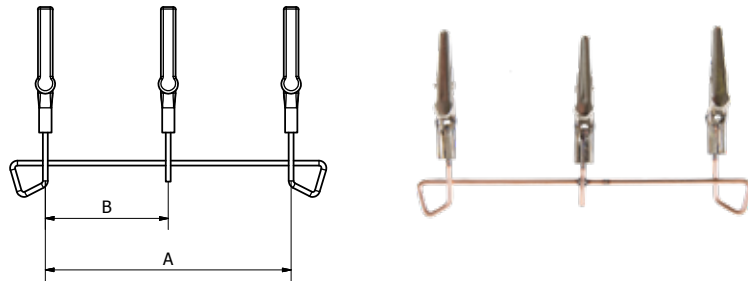
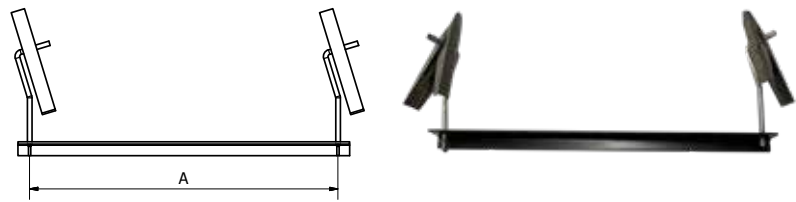
Call us and we'll tell you more about how we work!
 Phone +46 371-51 16 85 | info@epifatech.se

CROCODILE CLIPS

For attaching vertically suspended profiles.
Ensures the desired distance between the profiles is maintained.

Art.No.	Amm	Bmm	Pcs/box
Flexible clips			
2KL50-2	50		500
2KL100-2	100		500
2KL133-2	133		500
2KL150-2	150		500
2KL200-2	200		300
3KL100-2	100	50	500
3KL133-2	133	66,5	500
3KL150-2	150	75	200
3KL200-2	200	100	100

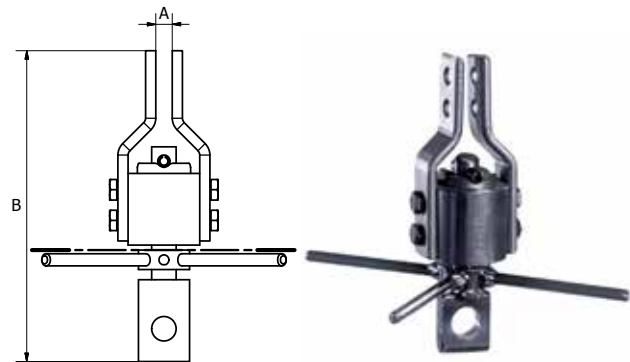
Fixed clips			
2KL55	55		500
2KL70	70		500
2KL100	100		500
2KL133	133		500
2KL150	150		500
2KL200	200		250
3KL100	100	50	500
3KL133	133	66,5	500
3KL150	150	75	500
3KL200	200	100	250



CONVEYOR HOOK

A link hook from conveyor to comb.

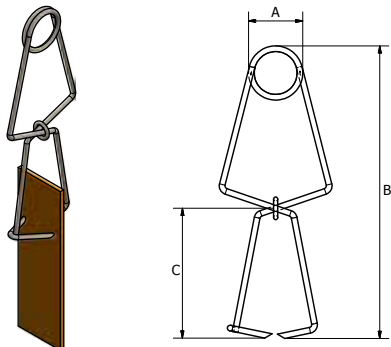
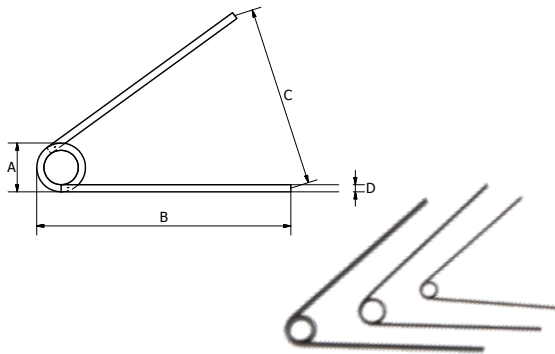
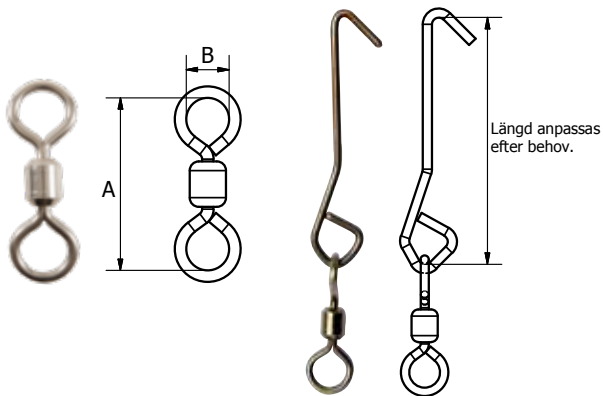
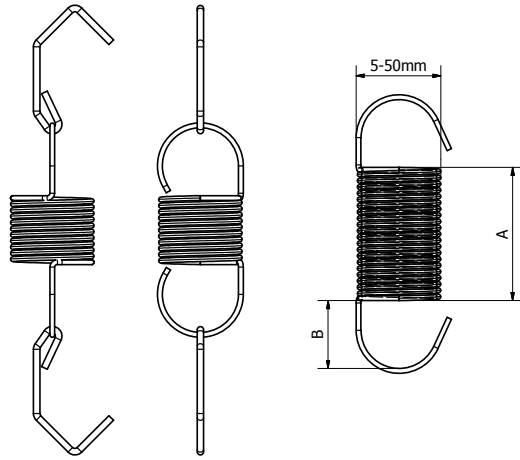
Art.No.	Wire diameter mm	Weight capacity
CONVK	6	150kg



ROTATING CONVEYOR HOOK

A rotating head with stop points at 90° intervals.
Can be fitted to a conveyor or operated manually.

Art.No.	Amm	Bmm	Cmm	Weight capacity
ROTH	8	150	70	100kg



TENSION SPRING

A tension spring is fitted to the bottom of universal frames for attachment of light parts. Also available in desired dimensions.

Art.No.	A mm	B mm	C mm	D mm	Dia	Pcs/box
DRF1	25	30	30	15	1,5	500
DRF2	50	50	50	15	1,5	500
DRF3	25	30	30	20	2,0	250
DRF4	50	50	50	20	2,0	250
DRF5	100	20	20	15	1,5	250
DRF6	100	20	20	20	2,0	250

ROTATING LINK

This simple rotating link is used to rotate a product. Available with or without a hook attached.

Art.No.	A mm	B mm	Pcs/box
VL1	46	12	100

TENSION SPRING

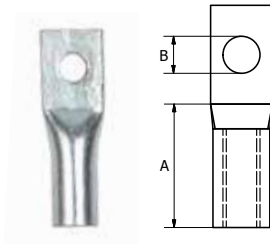
Tension springs for internal suspension.

Art.No.	A mm	B mm	C mm	D mm	Pcs/box
Spänn1,2	7,5	78	63	1,2	1000
Spänn1,5	7,5	78	63	1,5	1000
Spänn2,0	11,8	103	86	2,0	1000
Spänn2,5	11,8	110	85	2,5	1000
Spänn3,0	11,8	110	85	3,0	500
Spänn4,0	30	140	110	4,0	500
Spänn4,0L	30	200	150	4,0	250
Spänn5,0	30	145	110	5,0	200

CLAMP SPRING

A clamp spring for external tension mounting of aluminium profiles.

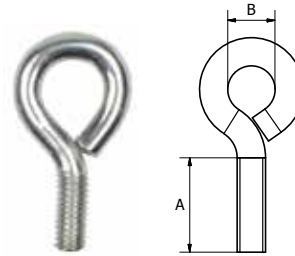
Art.No.	A mm	B mm	C mm
PROFKL	40	220	100



THREADED SLEEVE

For suspension and masking of the thread.

Art.No.	Amm	Bmm	Pcs/box
GH-M3x5	5	3	500
GH-M4x8	8	3	400
GH-M5x13	13	4	200
GH-M6x15	15	5	100
GH-M8x15	15	6	50
GH-M10x20	20	8	25
GH-M12x25	25	10	25
GH-M14x25	25	12	25
GH-M16x25	25	14	25
GH-M18x25	25	16	25
GH-M20x25	25	18	25
GH-M24X25	25	20	25

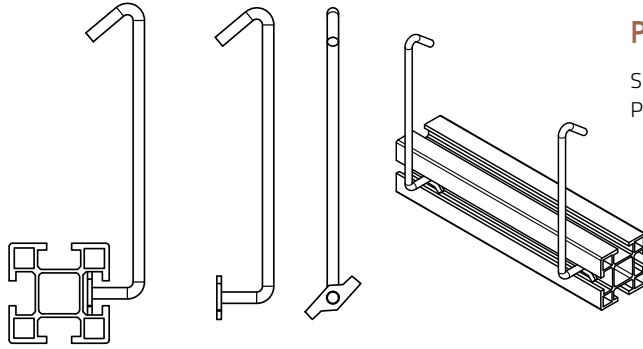


RING SCREW

Screwed in and suspended through the eye.

Art.No.	Amm	Bmm	Pcs/box
RS-M3x10	10	5	500
RS-M4x10	10	6	400
RS-M5x10	10	8	200
RS-M6x10	10	10	100
RS-M8x15	15	12	100
RS-M10x20	20	14	100
RS-M12x20	20	16	25



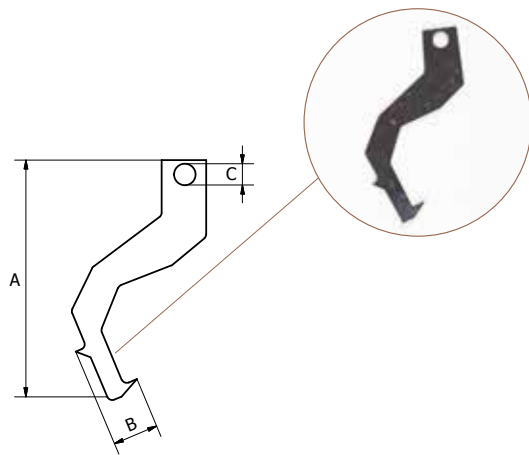


PROFILE SUSPENSION WITH RAIL

Suspension system for internal suspension of pipes etc.
Plates and hooks produced to size.

METAL CLAMPS FOR INTERNAL SUSPENSION

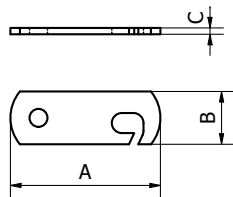
Universal clamps for suspension of pipes and sheet metal. Pipe dimensions 18–38 mm, sheet metal thickness 3.5 mm.



UNIVERSAL CLAMP

Universal clamp for internal suspension of pipes.

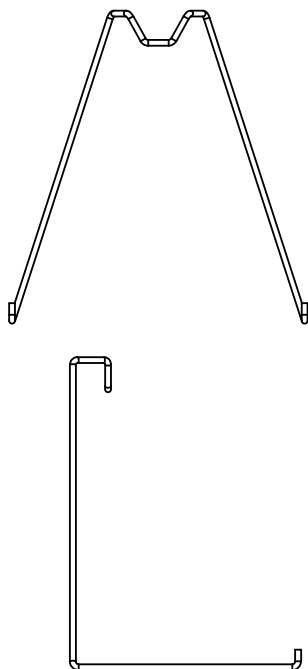
Art.No.	Amm	Bmm	Cmm	Pcs/box
UNIV1	100	15	6,5	500
UNIV2	100	25	6,5	500
UNIV3	100	32	6,5	500
UNIV4	100	16	6,5	500



CLIP

Universal clamp for internal suspension of pipes.

Art.No.	Amm	Bmm	Cmm	Pcs/box
CLIPS1	71	25	3	500
CLIPS2	71	25	1,5	500



PALLET COLLAR HOOK

The pallet collar hook is available for different numbers of collars that hold the collars in place.

Art.No.	For No. of pallet collars	Dia
PKK-1	1	4,0
PKK-2	2	4,0
PKK-3	3	4,0

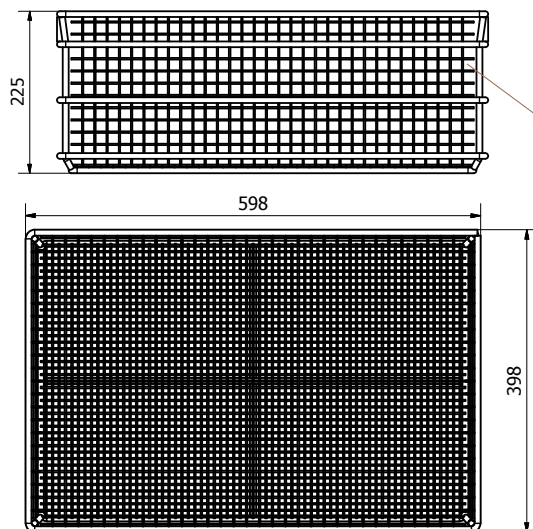


STORAGE SYSTEMS

Storage carts are manufactured according to the specific needs and wishes of the customer. We always use standard dimensions for EUR-pallets as a basis, making the carts easy to store and transport.

STAINLESS STEEL WASHING BASKET

Stainless steel acid-resistant washing basket. For rinsing products. Also available to size. Mask opening 15 mm with 2.0 mm acid-resistant thread.



PERSONAL SERVICE FROM EPIFATECH

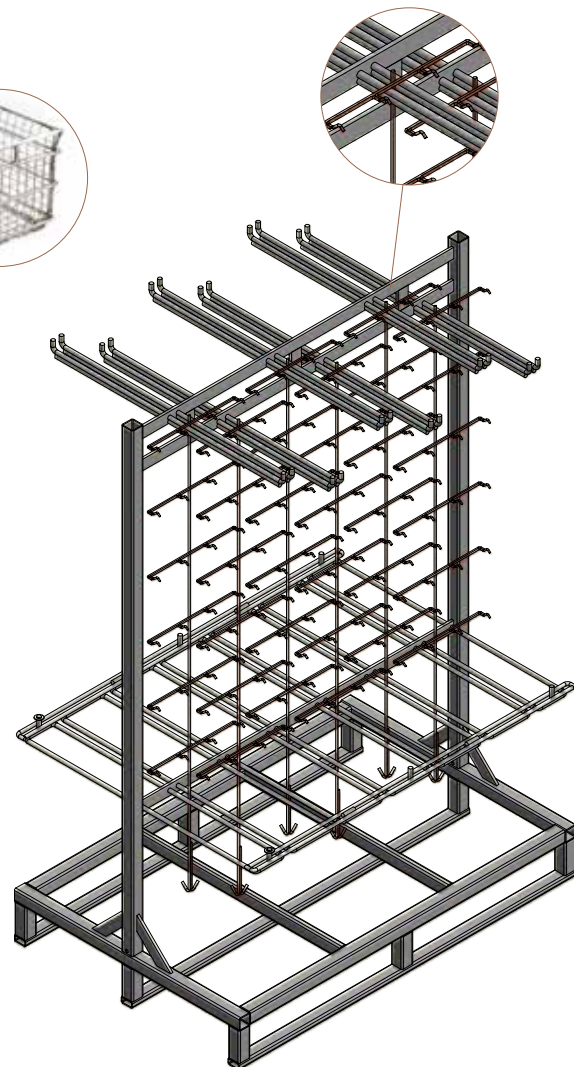
At Epifatech we adapt each product to suit specific customer requirements. With a personal contact and ongoing cooperation, we create optimised solutions that cover the entire production process.

Call us and we'll tell you more about how we work!
Phone +46 371-51 16 85 | info@epifatech.se

These trolleys have been adapted for burning fixtures, which makes everything easier and saves time normally spent picking out fixtures.

STORAGE TROLLEY

Height and drawer adapted to match appearance on hangers.





Rationalised production with an optimised storage system from Epifatech.

Can hold
up to
1 tonne

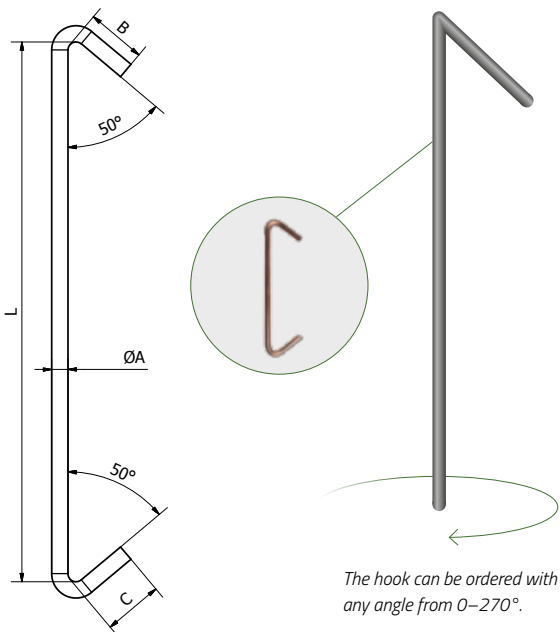
Hooks

50-79





Hook 1	52
Hook 2	55
Hook 3	58
Hook 4	62
Hook 5	68
Hook 6	74
Hook with short leg	76
Suspension hook	77
Clamp hook	78
Vertical hook	78
Pipe hook	78
Top pipe hook	79
Angled hook	79
Double hook for pipe strut	79



HOOK 1 | 0-270°

Apart from the standard version, the hooks are also available with a specified angle. All at no extra cost. We also accept orders for other end versions with, for example, radiused, zero angles etc. The final digit in the article number indicates the length of the hook (50-1200 mm).

Art. No. 1 - A - XXXX - XXX

↓ Wire dimension ↓ Hook length ↓ Angle
 ↓ Type of hook

The hook can be ordered with any angle from 0-270°.

We think ergonomically. That is why our boxes are always optimised to weigh no more than 20 kg.

*The number of hooks applies to angles 0° and 180°. Contact us for information about the number of hooks/box for other angles.

Art.No.	Length (mm)	Amm	Bmm	Cmm	Pcs/box	Weight capacity kg	Art.No.	Length (mm)	Amm	Bmm	Cmm	Pcs/box	Weight capacity kg
1-012-0050	50	ø 1.2	20	20	9000	1.5	1-015-0050	50	ø 1.5	20	20	8000	4
1-012-0060	60	ø 1.2	20	20	5000	1.5	1-015-0060	60	ø 1.5	20	20	5000	4
1-012-0075	75	ø 1.2	20	20	5000	1.5	1-015-0075	75	ø 1.5	20	20	5000	4
1-012-0100	100	ø 1.2	20	20	3500	1.5	1-015-0100	100	ø 1.5	20	20	3500	4
1-012-0150	150	ø 1.2	20	20	1500	1.5	1-015-0150	150	ø 1.5	20	20	1500	4
1-012-0200	200	ø 1.2	20	20	1500	1.5	1-015-0200	200	ø 1.5	20	20	1500	4
1-012-0250	250	ø 1.2	20	20	1800	1.5	1-015-0250	250	ø 1.5	20	20	1800	4
1-012-0300	300	ø 1.2	20	20	2000	1.5	1-015-0300	300	ø 1.5	20	20	1500	4
1-012-0350	350	ø 1.2	20	20	2000	1.5	1-015-0350	350	ø 1.5	20	20	1500	4
1-012-0400	400	ø 1.2	20	20	2000	1.5	1-015-0400	400	ø 1.5	20	20	2000	4
1-012-0450	450	ø 1.2	20	20	2000	1.5	1-015-0450	450	ø 1.5	20	20	2000	4
							1-015-0500	500	ø 1.5	20	20	2000	4
							1-015-0550	550	ø 1.5	20	20	2000	4
							1-015-0600	600	ø 1.5	20	20	2000	4
							1-015-0700	700	ø 1.5	20	20	2000	4
							1-015-0800	800	ø 1.5	20	20	2000	4
							1-015-0900	900	ø 1.5	20	20	1500	4

HOOK 1

Art.No.	Length (mm)	Amm	Bmm	Cmm	Pcs/box	Weight capacity kg
1-020-0050	50	ø 2.0	20	20	5000	6
1-020-0060	60	ø 2.0	20	20	4000	6
1-020-0075	75	ø 2.0	20	20	3500	6
1-020-0100	100	ø 2.0	20	20	2000	6
1-020-0150	150	ø 2.0	20	20	1250	6
1-020-0200	200	ø 2.0	20	20	1500	6
1-020-0250	250	ø 2.0	20	20	1250	6
1-020-0300	300	ø 2.0	20	20	1000	6
1-020-0350	350	ø 2.0	20	20	1250	6
1-020-0400	400	ø 2.0	20	20	1250	6
1-020-0450	450	ø 2.0	20	20	1250	6
1-020-0500	500	ø 2.0	20	20	1250	6
1-020-0550	550	ø 2.0	20	20	1250	6
1-020-0600	600	ø 2.0	20	20	1250	6
1-020-0700	700	ø 2.0	20	20	1250	6
1-020-0800	800	ø 2.0	20	20	1250	6
1-020-0900	900	ø 2.0	20	20	1000	6
1-020-1000	1000	ø 2.0	20	20	1000	6
1-025-0050	50	ø 2.5	20	20	3000	8
1-025-0060	60	ø 2.5	20	20	2500	8
1-025-0075	75	ø 2.5	20	20	2000	8
1-025-0100	100	ø 2.5	20	20	1500	8
1-025-0150	150	ø 2.5	20	20	1000	8
1-025-0200	200	ø 2.5	20	20	900	8
1-025-0250	250	ø 2.5	20	20	800	8
1-025-0300	300	ø 2.5	20	20	800	8
1-025-0350	350	ø 2.5	20	20	1000	8
1-025-0400	400	ø 2.5	20	20	1000	8
1-025-0450	450	ø 2.5	20	20	1000	8
1-025-0500	500	ø 2.5	20	20	1000	8
1-025-0550	550	ø 2.5	20	20	1000	8
1-025-0600	600	ø 2.5	20	20	1000	8
1-025-0700	700	ø 2.5	20	20	1000	8
1-025-0800	800	ø 2.5	20	20	1000	8
1-025-0900	900	ø 2.5	20	20	700	8
1-025-1000	1000	ø 2.5	20	20	700	8
1-030-0050	50	ø 3.0	20	20	3000	16
1-030-0060	60	ø 3.0	20	20	2500	16
1-030-0075	75	ø 3.0	20	20	2000	16
1-030-0100	100	ø 3.0	20	20	1400	16
1-030-0150	150	ø 3.0	20	20	800	16
1-030-0200	200	ø 3.0	20	20	900	16
1-030-0250	250	ø 3.0	20	20	800	16
1-030-0300	300	ø 3.0	20	20	700	16
1-030-0350	350	ø 3.0	20	20	800	16
1-030-0400	400	ø 3.0	20	20	700	16
1-030-0450	450	ø 3.0	20	20	800	16
1-030-0500	500	ø 3.0	20	20	700	16
1-030-0550	550	ø 3.0	20	20	800	16
1-030-0600	600	ø 3.0	20	20	600	16
1-030-0700	700	ø 3.0	20	20	500	16
1-030-0800	800	ø 3.0	20	20	400	16
1-030-0900	900	ø 3.0	20	20	400	16
1-030-1000	900	ø 3.0	20	20	400	16

Art.No.	Length (mm)	Amm	Bmm	Cmm	Pcs/box	Weight capacity kg
1-040-0050	50	ø 4.0	22	22	1500	30
1-040-0060	60	ø 4.0	22	22	1500	30
1-040-0075	75	ø 4.0	22	22	1500	30
1-040-0100	100	ø 4.0	22	22	1000	30
1-040-0150	150	ø 4.0	22	22	500	30
1-040-0200	200	ø 4.0	22	22	500	30
1-040-0250	250	ø 4.0	22	22	500	30
1-040-0300	300	ø 4.0	22	22	300	30
1-040-0350	350	ø 4.0	22	22	300	30
1-040-0400	400	ø 4.0	22	22	300	30
1-040-0450	450	ø 4.0	22	22	300	30
1-040-0500	500	ø 4.0	22	22	300	30
1-040-0550	550	ø 4.0	22	22	300	30
1-040-0600	600	ø 4.0	22	22	300	30
1-040-0700	700	ø 4.0	22	22	300	30
1-040-0800	800	ø 4.0	22	22	250	30
1-040-0900	900	ø 4.0	22	22	250	30
1-040-1000	1000	ø 4.0	22	22	200	30
1-050-0050	50	ø 5.0	22	22	1000	50
1-050-0060	60	ø 5.0	22	22	1000	50
1-050-0075	75	ø 5.0	22	22	1000	50
1-050-0100	100	ø 5.0	22	22	800	50
1-050-0150	150	ø 5.0	22	22	400	50
1-050-0200	200	ø 5.0	22	22	400	50
1-050-0250	250	ø 5.0	22	22	300	50
1-050-0300	300	ø 5.0	22	22	300	50
1-050-0350	350	ø 5.0	22	22	300	50
1-050-0400	400	ø 5.0	22	22	300	50
1-050-0450	450	ø 5.0	22	22	300	50
1-050-0500	500	ø 5.0	22	22	300	50
1-050-0550	550	ø 5.0	22	22	300	50
1-050-0600	600	ø 5.0	22	22	250	50
1-050-0700	700	ø 5.0	22	22	200	50
1-050-0800	800	ø 5.0	22	22	200	50
1-050-0900	900	ø 5.0	22	22	150	50
1-050-1000	1000	ø 5.0	22	22	100	50
1-060-0050	50	ø 6.0	22	22	1000	65
1-060-0060	60	ø 6.0	22	22	1000	65
1-060-0075	75	ø 6.0	22	22	700	65
1-060-0100	100	ø 6.0	22	22	700	65
1-060-0150	150	ø 6.0	22	22	400	65
1-060-0200	200	ø 6.0	22	22	350	65
1-060-0250	250	ø 6.0	22	22	250	65
1-060-0300	300	ø 6.0	22	22	200	65
1-060-0350	350	ø 6.0	22	22	200	65
1-060-0400	400	ø 6.0	22	22	200	65
1-060-0450	450	ø 6.0	22	22	200	65
1-060-0500	500	ø 6.0	22	22	200	65
1-060-0550	550	ø 6.0	22	22	200	65
1-060-0600	600	ø 6.0	22	22	200	65
1-060-0700	700	ø 6.0	22	22	200	65
1-060-0800	800	ø 6.0	22	22	200	65
1-060-0900	900	ø 6.0	22	22	100	65
1-060-1000	1000	ø 6.0	22	22	100	65

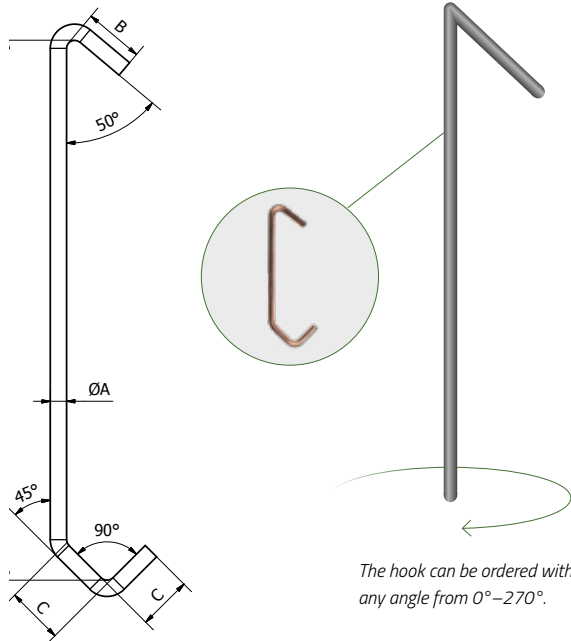
HOOK 1

Art.No.	Length (mm)	Amm	Bmm	Cmm	Pcs/box	Weight capacity kg
1-080-0075	75	ø8.0	23	23	300	90
1-080-0100	100	ø8.0	23	23	200	90
1-080-0150	150	ø8.0	23	23	100	90
1-080-0200	200	ø8.0	23	23	100	90
1-080-0250	250	ø8.0	23	23	100	90
1-080-0300	300	ø8.0	23	23	100	90
1-080-0350	350	ø8.0	23	23	100	90
1-080-0400	400	ø8.0	23	23	100	90
1-080-0450	450	ø8.0	23	23	100	90
1-080-0500	500	ø8.0	23	23	100	90
1-080-0550	550	ø8.0	23	23	100	90
1-080-0600	600	ø8.0	23	23	100	90
1-080-0700	700	ø8.0	23	23	100	90
1-080-0800	800	ø8.0	23	23	50	90
1-080-0900	900	ø8.0	23	23	50	90
1-080-1000	1000	ø8.0	23	23	50	90

1-100-0075	75	ø10.0	35	35	200	165
1-100-0100	100	ø10.0	35	35	200	165
1-100-0150	150	ø10.0	35	35	150	165
1-100-0200	200	ø10.0	35	35	100	165
1-100-0250	250	ø10.0	35	35	100	165
1-100-0300	300	ø10.0	35	35	50	165
1-100-0350	350	ø10.0	35	35	50	165
1-100-0400	400	ø10.0	35	35	50	165
1-100-0450	450	ø10.0	35	35	50	165
1-100-0500	500	ø10.0	35	35	50	165
1-100-0550	550	ø10.0	35	35	50	165
1-100-0600	600	ø10.0	35	35	50	165
1-100-0700	700	ø10.0	35	35	50	165
1-100-0800	800	ø10.0	35	35	50	165
1-100-0900	900	ø10.0	35	35	50	165
1-100-1000	1000	ø10.0	35	35	50	165

Art.No.	Length (mm)	Amm	Bmm	Cmm	Pcs/box	Weight capacity kg
1-120-0150	150	ø12.0	35	35	100	245
1-120-0200	200	ø12.0	35	35	100	245
1-120-0250	250	ø12.0	35	35	100	245
1-120-0300	300	ø12.0	35	35	50	245
1-120-0350	350	ø12.0	35	35	50	245
1-120-0400	400	ø12.0	35	35	25	245
1-120-0450	450	ø12.0	35	35	25	245
1-120-0500	500	ø12.0	35	35	25	245
1-120-0550	550	ø12.0	35	35	25	245
1-120-0600	600	ø12.0	35	35	25	245
1-120-0700	700	ø12.0	35	35	25	245
1-120-0800	800	ø12.0	35	35	20	245
1-120-0900	900	ø12.0	35	35	20	245
1-120-1000	1000	ø12.0	35	35	20	245





HOOK 2 | 0-270°

Apart from the standard version, the hooks are also available with a specified angle. All at no extra cost. We also accept orders for other end versions with, for example, radiuses, zero angles etc. The final digit in the article number indicates the length of the hook (50-1200 mm).

Art. No. **2 - A - XXXX - XXX**

↓ ↓ ↓ ↓
 Type of hook Wire dimension Hook length Angle

* Hooks with dimensions ϕ 1,2–3,0mm are also available with C dimensions = 11 or 20mm.

We think ergonomically. That is why our boxes are always optimised to weigh no more than 20 kg.

*The number of hooks applies to angles 0° and 180°. Contact us for information about the number of hooks/box for other angles.

Art.No.	Length (mm)	Amm	Bmm	Cmm	Pcs/box	Weight capacity kg
2-012-0050	50	ϕ 1.2	20	17*	9000	1.5
2-012-0060	60	ϕ 1.2	20	17*	5000	1.5
2-012-0075	75	ϕ 1.2	20	17*	5000	1.5
2-012-0100	100	ϕ 1.2	20	17*	3500	1.5
2-012-0150	150	ϕ 1.2	20	17*	1500	1.5
2-012-0200	200	ϕ 1.2	20	17*	1500	1.5
2-012-0250	250	ϕ 1.2	20	17*	1800	1.5
2-012-0300	300	ϕ 1.2	20	17*	2000	1.5
2-012-0350	350	ϕ 1.2	20	17*	2000	1.5
2-012-0400	400	ϕ 1.2	20	17*	2000	1.5
2-012-0450	450	ϕ 1.2	20	17*	2000	1.5

Art.No.	Length (mm)	Amm	Bmm	Cmm	Pcs/box	Weight capacity kg
2-015-0050	50	ϕ 1.5	20	17*	8000	4
2-015-0060	60	ϕ 1.5	20	17*	5000	4
2-015-0075	75	ϕ 1.5	20	17*	5000	4
2-015-0100	100	ϕ 1.5	20	17*	3500	4
2-015-0150	150	ϕ 1.5	20	17*	1500	4
2-015-0200	200	ϕ 1.5	20	17*	1500	4
2-015-0250	250	ϕ 1.5	20	17*	1800	4
2-015-0300	300	ϕ 1.5	20	17*	1500	4
2-015-0350	350	ϕ 1.5	20	17*	1500	4
2-015-0400	400	ϕ 1.5	20	17*	2000	4
2-015-0450	450	ϕ 1.5	20	17*	2000	4
2-015-0500	500	ϕ 1.5	20	17*	2000	4
2-015-0550	550	ϕ 1.5	20	17*	2000	4
2-015-0600	600	ϕ 1.5	20	17*	2000	4
2-015-0700	700	ϕ 1.5	20	17*	2000	4
2-015-0800	800	ϕ 1.5	20	17*	2000	4
2-015-0900	900	ϕ 1.5	20	17*	1500	4

HOOK 2

Art.No.	Length (mm)	Amm	Bmm	Cmm	Pcs/box	Weight capacity kg
2-020-0050	50	ø2.0	20	17*	5000	6
2-020-0060	60	ø2.0	20	17*	4000	6
2-020-0075	75	ø2.0	20	17*	3500	6
2-020-0100	100	ø2.0	20	17*	2000	6
2-020-0150	150	ø2.0	20	17*	1250	6
2-020-0200	200	ø2.0	20	17*	1500	6
2-020-0250	250	ø2.0	20	17*	1250	6
2-020-0300	300	ø2.0	20	17*	1000	6
2-020-0350	350	ø2.0	20	17*	1250	6
2-020-0400	400	ø2.0	20	17*	1250	6
2-020-0450	450	ø2.0	20	17*	1250	6
2-020-0500	500	ø2.0	20	17*	1250	6
2-020-0550	550	ø2.0	20	17*	1250	6
2-020-0600	600	ø2.0	20	17*	1250	6
2-020-0700	700	ø2.0	20	17*	1250	6
2-020-0800	800	ø2.0	20	17*	1250	6
2-020-0900	900	ø2.0	20	17*	1000	6
2-020-1000	1000	ø2.0	20	17*	1000	6
2-025-0050	50	ø2.5	20	17*	3000	8
2-025-0060	60	ø2.5	20	17*	2500	8
2-025-0075	75	ø2.5	20	17*	2000	8
2-025-0100	100	ø2.5	20	17*	1500	8
2-025-0150	150	ø2.5	20	17*	1000	8
2-025-0200	200	ø2.5	20	17*	900	8
2-025-0250	250	ø2.5	20	17*	800	8
2-025-0300	300	ø2.5	20	17*	800	8
2-025-0350	350	ø2.5	20	17*	1000	8
2-025-0400	400	ø2.5	20	17*	1000	8
2-025-0450	450	ø2.5	20	17*	1000	8
2-025-0500	500	ø2.5	20	17*	1000	8
2-025-0550	550	ø2.5	20	17*	1000	8
2-025-0600	600	ø2.5	20	17*	1000	8
2-025-0700	700	ø2.5	20	17*	1000	8
2-025-0800	800	ø2.5	20	17*	1000	8
2-025-0900	900	ø2.5	20	17*	700	8
2-025-1000	1000	ø2.5	20	17*	700	8
2-030-0050	50	ø3.0	20	17*	3000	16
2-030-0060	60	ø3.0	20	17*	2500	16
2-030-0075	75	ø3.0	20	17*	2000	16
2-030-0100	100	ø3.0	20	17*	1400	16
2-030-0150	150	ø3.0	20	17*	800	16
2-030-0200	200	ø3.0	20	17*	900	16
2-030-0250	250	ø3.0	20	17*	800	16
2-030-0300	300	ø3.0	20	17*	700	16
2-030-0350	350	ø3.0	20	17*	800	16
2-030-0400	400	ø3.0	20	17*	700	16
2-030-0450	450	ø3.0	20	17*	800	16
2-030-0500	500	ø3.0	20	17*	700	16
2-030-0550	550	ø3.0	20	17*	800	16
2-030-0600	600	ø3.0	20	17*	600	16
2-030-0700	700	ø3.0	20	17*	500	16
2-030-0800	800	ø3.0	20	17*	400	16
2-030-0900	900	ø3.0	20	17*	400	16
2-030-1000	900	ø3.0	20	17*	400	16

Art.No.	Length (mm)	Amm	Bmm	Cmm	Pcs/box	Weight capacity kg
2-040-0050	50	ø4.0	22	20	1500	30
2-040-0060	60	ø4.0	22	20	1500	30
2-040-0075	75	ø4.0	22	20	1500	30
2-040-0100	100	ø4.0	22	20	1000	30
2-040-0150	150	ø4.0	22	20	500	30
2-040-0200	200	ø4.0	22	20	500	30
2-040-0250	250	ø4.0	22	20	500	30
2-040-0300	300	ø4.0	22	20	300	30
2-040-0350	350	ø4.0	22	20	300	30
2-040-0400	400	ø4.0	22	20	300	30
2-040-0450	450	ø4.0	22	20	300	30
2-040-0500	500	ø4.0	22	20	300	30
2-040-0550	550	ø4.0	22	20	300	30
2-040-0600	600	ø4.0	22	20	300	30
2-040-0700	700	ø4.0	22	20	300	30
2-040-0800	800	ø4.0	22	20	250	30
2-040-0900	900	ø4.0	22	20	250	30
2-040-1000	1000	ø4.0	22	20	200	30
2-050-0050	50	ø5.0	22	20	1000	50
2-050-0060	60	ø5.0	22	20	1000	50
2-050-0075	75	ø5.0	22	20	1000	50
2-050-0100	100	ø5.0	22	20	800	50
2-050-0150	150	ø5.0	22	20	400	50
2-050-0200	200	ø5.0	22	20	400	50
2-050-0250	250	ø5.0	22	20	300	50
2-050-0300	300	ø5.0	22	20	300	50
2-050-0350	350	ø5.0	22	20	300	50
2-050-0400	400	ø5.0	22	20	300	50
2-050-0450	450	ø5.0	22	20	300	50
2-050-0500	500	ø5.0	22	20	300	50
2-050-0550	550	ø5.0	22	20	300	50
2-050-0600	600	ø5.0	22	20	250	50
2-050-0700	700	ø5.0	22	20	200	50
2-050-0800	800	ø5.0	22	20	200	50
2-050-0900	900	ø5.0	22	20	150	50
2-050-1000	1000	ø5.0	22	20	100	50
2-060-0050	50	ø6.0	22	20	1000	65
2-060-0060	60	ø6.0	22	20	1000	65
2-060-0075	75	ø6.0	22	20	700	65
2-060-0100	100	ø6.0	22	20	700	65
2-060-0150	150	ø6.0	22	20	400	65
2-060-0200	200	ø6.0	22	20	350	65
2-060-0250	250	ø6.0	22	20	250	65
2-060-0300	300	ø6.0	22	20	200	65
2-060-0350	350	ø6.0	22	20	200	65
2-060-0400	400	ø6.0	22	20	200	65
2-060-0450	450	ø6.0	22	20	200	65
2-060-0500	500	ø6.0	22	20	200	65
2-060-0550	550	ø6.0	22	20	200	65
2-060-0600	600	ø6.0	22	20	200	65
2-060-0700	700	ø6.0	22	20	200	65
2-060-0800	800	ø6.0	22	20	200	65
2-060-0900	900	ø6.0	22	20	100	65
2-060-1000	1000	ø6.0	22	20	100	65

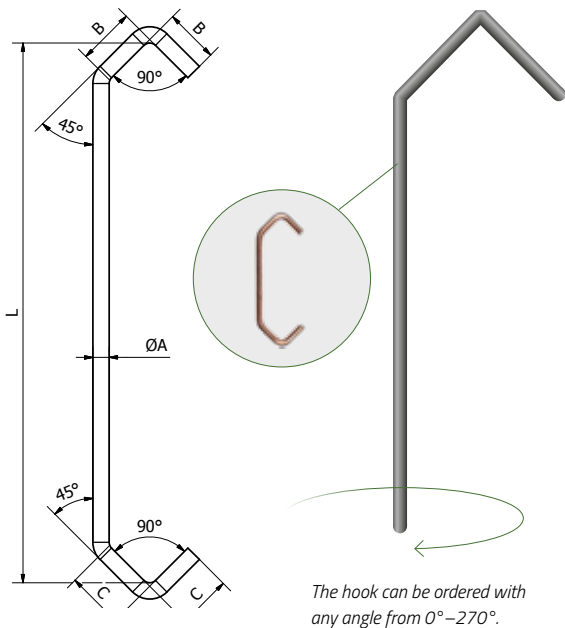
HOOK 2

Art.No.	Length (mm)	A mm	B mm	C mm	Pcs/box	Weight capacity kg
2-080-0075	75	ø8.0	23	30	300	90
2-080-0100	100	ø8.0	23	30	200	90
2-080-0150	150	ø8.0	23	30	100	90
2-080-0200	200	ø8.0	23	30	100	90
2-080-0250	250	ø8.0	23	30	100	90
2-080-0300	300	ø8.0	23	30	100	90
2-080-0350	350	ø8.0	23	30	100	90
2-080-0400	400	ø8.0	23	30	100	90
2-080-0450	450	ø8.0	23	30	100	90
2-080-0500	500	ø8.0	23	30	100	90
2-080-0550	550	ø8.0	23	30	100	90
2-080-0600	600	ø8.0	23	30	100	90
2-080-0700	700	ø8.0	23	30	100	90
2-080-0800	800	ø8.0	23	30	50	90
2-080-0900	900	ø8.0	23	30	50	90
2-080-1000	1000	ø8.0	23	30	50	90

2-100-0075	75	ø10.0	35	35	200	165
2-100-0100	100	ø10.0	35	35	200	165
2-100-0150	150	ø10.0	35	35	150	165
2-100-0200	200	ø10.0	35	35	100	165
2-100-0250	250	ø10.0	35	35	100	165
2-100-0300	300	ø10.0	35	35	50	165
2-100-0350	350	ø10.0	35	35	50	165
2-100-0400	400	ø10.0	35	35	50	165
2-100-0450	450	ø10.0	35	35	50	165
2-100-0500	500	ø10.0	35	35	50	165
2-100-0550	550	ø10.0	35	35	50	165
2-100-0600	600	ø10.0	35	35	50	165
2-100-0700	700	ø10.0	35	35	50	165
2-100-0800	800	ø10.0	35	35	50	165
2-100-0900	900	ø10.0	35	35	50	165
2-100-1000	1000	ø10.0	35	35	50	165

Art.No.	Length (mm)	A mm	B mm	C mm	Pcs/box	Weight capacity kg
2-120-0150	150	ø12.0	35	35	100	245
2-120-0200	200	ø12.0	35	35	100	245
2-120-0250	250	ø12.0	35	35	100	245
2-120-0300	300	ø12.0	35	35	50	245
2-120-0350	350	ø12.0	35	35	50	245
2-120-0400	400	ø12.0	35	35	25	245
2-120-0450	450	ø12.0	35	35	25	245
2-120-0500	500	ø12.0	35	35	25	245
2-120-0550	550	ø12.0	35	35	25	245
2-120-0600	600	ø12.0	35	35	25	245
2-120-0700	700	ø12.0	35	35	25	245
2-120-0800	800	ø12.0	35	35	20	245
2-120-0900	900	ø12.0	35	35	20	245
2-120-1000	1000	ø12.0	35	35	20	245





HOOK 3 | 0-270°

Apart from the standard version, the hooks are also available with a specified angle. All at no extra cost. We also accept orders for other end versions with, for example, radiuses, zero angles etc. The final digit in the article number indicates the length of the hook (50-1200 mm).

Art. No. **3 - A - XXXX - XXX**
 ↓ ↓ ↓ ↓
 Type of hook Wire dimension Hook length Angle

*Hooks with dimensions ϕ 1.2-3.0 mm are also available with C dimensions = 11 or 20 mm.

We think ergonomically. That is why our boxes are always optimised to weigh no more than 20 kg.

*The number of hooks applies to angles 0° and 180°. Contact us for information about the number of hooks/box for other angles.

Art.No.	Length (mm)	Amm	Bmm	Cmm	Pcs/box	Weight capacity kg
3-012-0050	50	ϕ 1.2	17	17*	9000	1.5
3-012-0060	60	ϕ 1.2	17	17*	5000	1.5
3-012-0075	75	ϕ 1.2	17	17*	5000	1.5
3-012-0100	100	ϕ 1.2	17	17*	3500	1.5
3-012-0150	150	ϕ 1.2	17	17*	1500	1.5
3-012-0200	200	ϕ 1.2	17	17*	1500	1.5
3-012-0250	250	ϕ 1.2	17	17*	1800	1.5
3-012-0300	300	ϕ 1.2	17	17*	2000	1.5
3-012-0350	350	ϕ 1.2	17	17*	2000	1.5
3-012-0400	400	ϕ 1.2	17	17*	2000	1.5
3-012-0450	450	ϕ 1.2	17	17*	2000	1.5

Art.No.	Length (mm)	Amm	Bmm	Cmm	Pcs/box	Weight capacity kg
3-015-0050	50	ϕ 1.5	17	17*	8000	4
3-015-0060	60	ϕ 1.5	17	17*	5000	4
3-015-0075	75	ϕ 1.5	17	17*	5000	4
3-015-0100	100	ϕ 1.5	17	17*	3500	4
3-015-0150	150	ϕ 1.5	17	17*	1500	4
3-015-0200	200	ϕ 1.5	17	17*	1500	4
3-015-0250	250	ϕ 1.5	17	17*	1800	4
3-015-0300	300	ϕ 1.5	17	17*	1500	4
3-015-0350	350	ϕ 1.5	17	17*	1500	4
3-015-0400	400	ϕ 1.5	17	17*	2000	4
3-015-0450	450	ϕ 1.5	17	17*	2000	4
3-015-0500	500	ϕ 1.5	17	17*	2000	4
3-015-0550	550	ϕ 1.5	17	17*	2000	4
3-015-0600	600	ϕ 1.5	17	17*	2000	4
3-015-0700	700	ϕ 1.5	17	17*	2000	4
3-015-0800	800	ϕ 1.5	17	17*	2000	4
3-015-0900	900	ϕ 1.5	17	17*	1500	4

HOOK 3

Art.No.	Length (mm)	Amm	Bmm	Cmm	Pcs/box	Weight capacity kg
3-020-0050	50	ø 2.0	17	17*	5000	6
3-020-0060	60	ø 2.0	17	17*	4000	6
3-020-0075	75	ø 2.0	17	17*	3500	6
3-020-0100	100	ø 2.0	17	17*	2000	6
3-020-0150	150	ø 2.0	17	17*	1250	6
3-020-0200	200	ø 2.0	17	17*	1500	6
3-020-0250	250	ø 2.0	17	17*	1250	6
3-020-0300	300	ø 2.0	17	17*	1000	6
3-020-0350	350	ø 2.0	17	17*	1250	6
3-020-0400	400	ø 2.0	17	17*	1250	6
3-020-0450	450	ø 2.0	17	17*	1250	6
3-020-0500	500	ø 2.0	17	17*	1250	6
3-020-0550	550	ø 2.0	17	17*	1250	6
3-020-0600	600	ø 2.0	17	17*	1250	6
3-020-0700	700	ø 2.0	17	17*	1250	6
3-020-0800	800	ø 2.0	17	17*	1250	6
3-020-0900	900	ø 2.0	17	17*	1000	6
3-020-1000	1000	ø 2.0	17	17*	1000	6
3-025-0050	50	ø 2.5	17	17*	3000	8
3-025-0060	60	ø 2.5	17	17*	2500	8
3-025-0075	75	ø 2.5	17	17*	2000	8
3-025-0100	100	ø 2.5	17	17*	2000	8
3-025-0150	150	ø 2.5	17	17*	1500	8
3-025-0200	200	ø 2.5	17	17*	1000	8
3-025-0250	250	ø 2.5	17	17*	900	8
3-025-0300	300	ø 2.5	17	17*	800	8
3-025-0350	350	ø 2.5	17	17*	800	8
3-025-0400	400	ø 2.5	17	17*	1000	8
3-025-0450	450	ø 2.5	17	17*	1000	8
3-025-0500	500	ø 2.5	17	17*	1000	8
3-025-0550	550	ø 2.5	17	17*	1000	8
3-025-0600	600	ø 2.5	17	17*	1000	8
3-025-0700	700	ø 2.5	17	17*	1000	8
3-025-0800	800	ø 2.5	17	17*	1000	8
3-025-0900	900	ø 2.5	17	17*	700	8
3-025-1000	1000	ø 2.5	17	17*	700	8
3-030-0050	50	ø 3.0	17	17*	3000	16
3-030-0060	60	ø 3.0	17	17*	2500	16
3-030-0075	75	ø 3.0	17	17*	2000	16
3-030-0100	100	ø 3.0	17	17*	1400	16
3-030-0150	150	ø 3.0	17	17*	800	16
3-030-0200	200	ø 3.0	17	17*	900	16
3-030-0250	250	ø 3.0	17	17*	800	16
3-030-0300	300	ø 3.0	17	17*	700	16
3-030-0350	350	ø 3.0	17	17*	800	16
3-030-0400	400	ø 3.0	17	17*	700	16
3-030-0450	450	ø 3.0	17	17*	800	16
3-030-0500	500	ø 3.0	17	17*	700	16
3-030-0550	550	ø 3.0	17	17*	800	16
3-030-0600	600	ø 3.0	17	17*	600	16
3-030-0700	700	ø 3.0	17	17*	500	16
3-030-0800	800	ø 3.0	17	17*	400	16
3-030-0900	900	ø 3.0	17	17*	400	16
3-030-1000	900	ø 3.0	17	17*	400	16

Art.No.	Length (mm)	Amm	Bmm	Cmm	Pcs/box	Weight capacity kg
3-040-0050	50	ø 4.0	20	20	1500	30
3-040-0060	60	ø 4.0	20	20	1500	30
3-040-0075	75	ø 4.0	20	20	1500	30
3-040-0100	100	ø 4.0	20	20	1000	30
3-040-0150	150	ø 4.0	20	20	500	30
3-040-0200	200	ø 4.0	20	20	500	30
3-040-0250	250	ø 4.0	20	20	500	30
3-040-0300	300	ø 4.0	20	20	300	30
3-040-0350	350	ø 4.0	20	20	300	30
3-040-0400	400	ø 4.0	20	20	300	30
3-040-0450	450	ø 4.0	20	20	300	30
3-040-0500	500	ø 4.0	20	20	300	30
3-040-0550	550	ø 4.0	20	20	300	30
3-040-0600	600	ø 4.0	20	20	300	30
3-040-0700	700	ø 4.0	20	20	300	30
3-040-0800	800	ø 4.0	20	20	250	30
3-040-0900	900	ø 4.0	20	20	250	30
3-040-1000	1000	ø 4.0	20	20	200	30
3-050-0050	50	ø 5.0	20	20	1000	50
3-050-0060	60	ø 5.0	20	20	1000	50
3-050-0075	75	ø 5.0	20	20	1000	50
3-050-0100	100	ø 5.0	20	20	800	50
3-050-0150	150	ø 5.0	20	20	400	50
3-050-0200	200	ø 5.0	20	20	400	50
3-050-0250	250	ø 5.0	20	20	300	50
3-050-0300	300	ø 5.0	20	20	300	50
3-050-0350	350	ø 5.0	20	20	300	50
3-050-0400	400	ø 5.0	20	20	300	50
3-050-0450	450	ø 5.0	20	20	300	50
3-050-0500	500	ø 5.0	20	20	300	50
3-050-0550	550	ø 5.0	20	20	300	50
3-050-0600	600	ø 5.0	20	20	250	50
3-050-0700	700	ø 5.0	20	20	200	50
3-050-0800	800	ø 5.0	20	20	200	50
3-050-0900	900	ø 5.0	20	20	150	50
3-050-1000	1000	ø 5.0	20	20	100	50
3-060-0050	50	ø 6.0	20	20	1000	65
3-060-0060	60	ø 6.0	20	20	1000	65
3-060-0075	75	ø 6.0	20	20	700	65
3-060-0100	100	ø 6.0	20	20	700	65
3-060-0150	150	ø 6.0	20	20	400	65
3-060-0200	200	ø 6.0	20	20	350	65
3-060-0250	250	ø 6.0	20	20	250	65
3-060-0300	300	ø 6.0	20	20	200	65
3-060-0350	350	ø 6.0	20	20	200	65
3-060-0400	400	ø 6.0	20	20	200	65
3-060-0450	450	ø 6.0	20	20	200	65
3-060-0500	500	ø 6.0	20	20	200	65
3-060-0550	550	ø 6.0	20	20	200	65
3-060-0600	600	ø 6.0	20	20	200	65
3-060-0700	700	ø 6.0	20	20	200	65
3-060-0800	800	ø 6.0	20	20	200	65
3-060-0900	900	ø 6.0	20	20	100	65
3-060-1000	1000	ø 6.0	20	20	100	65

HOOK 3

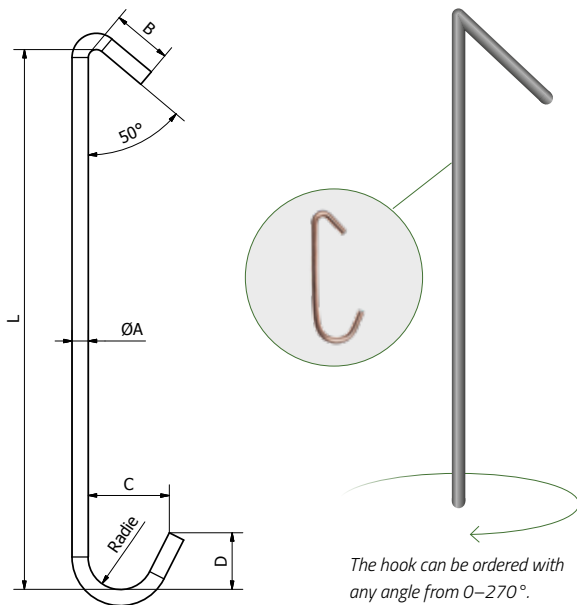
Art.No.	Length (mm)	Amm	Bmm	Cmm	Pcs/box	Weight capacity kg
3-080-0075	75	ø8.0	30	30	300	90
3-080-0100	100	ø8.0	30	30	200	90
3-080-0150	150	ø8.0	30	30	100	90
3-080-0200	200	ø8.0	30	30	100	90
3-080-0250	250	ø8.0	30	30	100	90
3-080-0300	300	ø8.0	30	30	100	90
3-080-0350	350	ø8.0	30	30	100	90
3-080-0400	400	ø8.0	30	30	100	90
3-080-0450	450	ø8.0	30	30	100	90
3-080-0500	500	ø8.0	30	30	100	90
3-080-0550	550	ø8.0	30	30	100	90
3-080-0600	600	ø8.0	30	30	100	90
3-080-0700	700	ø8.0	30	30	100	90
3-080-0800	800	ø8.0	30	30	50	90
3-080-0900	900	ø8.0	30	30	50	90
3-080-1000	1000	ø8.0	30	30	50	90

3-100-0075	75	ø10.0	35	35	200	165
3-100-0100	100	ø10.0	35	35	200	165
3-100-0150	150	ø10.0	35	35	150	165
3-100-0200	200	ø10.0	35	35	100	165
3-100-0250	250	ø10.0	35	35	100	165
3-100-0300	300	ø10.0	35	35	50	165
3-100-0350	350	ø10.0	35	35	50	165
3-100-0400	400	ø10.0	35	35	50	165
3-100-0450	450	ø10.0	35	35	50	165
3-100-0500	500	ø10.0	35	35	50	165
3-100-0550	550	ø10.0	35	35	50	165
3-100-0600	600	ø10.0	35	35	50	165
3-100-0700	700	ø10.0	35	35	50	165
3-100-0800	800	ø10.0	35	35	50	165
3-100-0900	900	ø10.0	35	35	50	165
3-100-1000	1000	ø10.0	35	35	50	165

3-120-0150	150	ø12.0	35	35	100	245
3-120-0200	200	ø12.0	35	35	100	245
3-120-0250	250	ø12.0	35	35	100	245
3-120-0300	300	ø12.0	35	35	50	245
3-120-0350	350	ø12.0	35	35	50	245
3-120-0400	400	ø12.0	35	35	25	245
3-120-0450	450	ø12.0	35	35	25	245
3-120-0500	500	ø12.0	35	35	25	245
3-120-0550	550	ø12.0	35	35	25	245
3-120-0600	600	ø12.0	35	35	25	245
3-120-0700	700	ø12.0	35	35	25	245
3-120-0800	800	ø12.0	35	35	20	245
3-120-0900	900	ø12.0	35	35	20	245
3-120-1000	1000	ø12.0	35	35	20	245







HOOK 4 | 0-270°

Apart from the standard version, the hooks are also available with a specified angle. All at no extra cost. We also accept orders for other end versions with, for example, radiuses, zero angles etc. The final digit in the article number indicates the length of the hook (50-1200 mm).

Art. No. 4 - A - XXXX - XXX
 ↓ Wire dimension ↓ Hook length ↓ Angle
 Type of hook

*Hooks with dimensions ϕ 1.2-3.0 mm are also available with a radius = 6, 11 or 12 mm. and D dimensions = 10 or 18 mm.

We think ergonomically. That is why our boxes are always optimised to weigh no more than 20 kg.

*The number of hooks applies to angles 0° and 180°. Contact us for information about the number of hooks/box for other angles.

Art.No.	Length (mm)	A mm	B mm	C mm	D mm	Radius	Pcs/box	Weight capacity kg
4-012-0050R6	50	ϕ 1.2	20	15	10	6	9000	1.5
4-012-0060R6	60	ϕ 1.2	20	15	10	6	5000	1.5
4-012-0075R6	75	ϕ 1.2	20	15	10	6	5000	1.5
4-012-0100R6	100	ϕ 1.2	20	15	10	6	3500	1.5
4-012-0150R6	150	ϕ 1.2	20	15	10	6	1500	1.5
4-012-0200R6	200	ϕ 1.2	20	15	10	6	1500	1.5
4-012-0250R6	250	ϕ 1.2	20	15	10	6	1800	1.5
4-012-0300R6	300	ϕ 1.2	20	15	10	6	2000	1.5
4-012-0350R6	350	ϕ 1.2	20	15	10	6	2000	1.5
4-012-0400R6	400	ϕ 1.2	20	15	10	6	2000	1.5
4-012-0450R6	450	ϕ 1.2	20	15	10	6	2000	1.5
4-015-0050R6	50	ϕ 1.5	20	15	10	6	8000	4
4-015-0060R6	60	ϕ 1.5	20	15	10	6	5000	4
4-015-0075R6	75	ϕ 1.5	20	15	10	6	5000	4
4-015-0100R6	100	ϕ 1.5	20	15	10	6	3500	4
4-015-0150R6	150	ϕ 1.5	20	15	10	6	1500	4
4-015-0200R6	200	ϕ 1.5	20	15	10	6	1500	4
4-015-0250R6	250	ϕ 1.5	20	15	10	6	1800	4
4-015-0300R6	300	ϕ 1.5	20	15	10	6	1500	4
4-015-0350R6	350	ϕ 1.5	20	15	10	6	1500	4
4-015-0400R6	400	ϕ 1.5	20	15	10	6	2000	4
4-015-0450R6	450	ϕ 1.5	20	15	10	6	2000	4
4-015-0500R6	500	ϕ 1.5	20	15	10	6	2000	4
4-015-0550R6	550	ϕ 1.5	20	15	10	6	2000	4
4-015-0600R6	600	ϕ 1.5	20	15	10	6	2000	4
4-015-0700R6	700	ϕ 1.5	20	15	10	6	2000	4
4-015-0800R6	800	ϕ 1.5	20	15	10	6	2000	4
4-015-0900R6	900	ϕ 1.5	20	15	10	6	1500	4

HOOK 4

Art.No.	Length (mm)	Amm	Bmm	C mm	D mm	Radius	Pcs/box	Weight capacity kg
4-020-0050R6	50	ø 2.0	20	15	10	6	5000	6
4-020-0060R6	60	ø 2.0	20	15	10	6	4000	6
4-020-0075R6	75	ø 2.0	20	15	10	6	3500	6
4-020-0100R6	100	ø 2.0	20	15	10	6	2000	6
4-020-0150R6	150	ø 2.0	20	15	10	6	1250	6
4-020-0200R6	200	ø 2.0	20	15	10	6	1500	6
4-020-0250R6	250	ø 2.0	20	15	10	6	1250	6
4-020-0300R6	300	ø 2.0	20	15	10	6	1000	6
4-020-0350R6	350	ø 2.0	20	15	10	6	1250	6
4-020-0400R6	400	ø 2.0	20	15	10	6	2000	6
4-020-0450R6	450	ø 2.0	20	15	10	6	2000	6
4-020-0500R6	500	ø 2.0	20	15	10	6	1250	6
4-020-0550R6	550	ø 2.0	20	15	10	6	1250	6
4-020-0600R6	600	ø 2.0	20	15	10	6	1250	6
4-020-0700R6	700	ø 2.0	20	15	10	6	1250	6
4-020-0800R6	800	ø 2.0	20	15	10	6	1250	6
4-020-0900R6	900	ø 2.0	20	15	10	6	1000	6
4-020-1000R6	1000	ø 2.0	20	15	10	6	1000	6
4-025-0050R6	50	ø 2.5	20	15	10	6	3000	8
4-025-0060R6	60	ø 2.5	20	15	10	6	2500	8
4-025-0075R6	75	ø 2.5	20	15	10	6	2000	8
4-025-0100R6	100	ø 2.5	20	15	10	6	1500	8
4-025-0150R6	150	ø 2.5	20	15	10	6	1000	8
4-025-0200R6	200	ø 2.5	20	15	10	6	900	8
4-025-0250R6	250	ø 2.5	20	15	10	6	800	8
4-025-0300R6	300	ø 2.5	20	15	10	6	800	8
4-025-0350R6	350	ø 2.5	20	15	10	6	1000	8
4-025-0400R6	400	ø 2.5	20	15	10	6	1000	8
4-025-0450R6	450	ø 2.5	20	15	10	6	1000	8
4-025-0500R6	500	ø 2.5	20	15	10	6	1000	8
4-025-0550R6	550	ø 2.5	20	15	10	6	1000	8
4-025-0600R6	600	ø 2.5	20	15	10	6	1000	8
4-025-0700R6	700	ø 2.5	20	15	10	6	1000	8
4-025-0800R6	800	ø 2.5	20	15	10	6	1000	8
4-025-0900R6	900	ø 2.5	20	15	10	6	700	8
4-025-1000R6	1000	ø 2.5	20	15	10	6	700	8
4-030-0050R6	50	ø 3.0	20	15	10	6	3000	16
4-030-0060R6	60	ø 3.0	20	15	10	6	2500	16
4-030-0070R6	70	ø 3.0	20	15	10	6	2000	16
4-030-0100R6	100	ø 3.0	20	15	10	6	1400	16
4-030-0150R6	150	ø 3.0	20	15	10	6	800	16
4-030-0200R6	200	ø 3.0	20	15	10	6	900	16
4-030-0250R6	250	ø 3.0	20	15	10	6	800	16
4-030-0300R6	300	ø 3.0	20	15	10	6	700	16
4-030-0350R6	350	ø 3.0	20	15	10	6	800	16
4-030-0400R6	400	ø 3.0	20	15	10	6	700	16
4-030-0450R6	450	ø 3.0	20	15	10	6	800	16
4-030-0500R6	500	ø 3.0	20	15	10	6	700	16
4-030-0550R6	550	ø 3.0	20	15	10	6	800	16
4-030-0600R6	600	ø 3.0	20	15	10	6	600	16
4-030-0700R6	700	ø 3.0	20	15	10	6	500	16
4-030-0800R6	800	ø 3.0	20	15	10	6	400	16
4-030-0900R6	900	ø 3.0	20	15	10	6	400	16
4-030-1000R6	1000	ø 3.0	20	15	10	6	400	16

HOOK 4

Art.No.	Length (mm)	Amm	Bmm	C mm	D mm	Radius	Pcs/box	Weight capacity kg
4-012-0050	50	ø 1.2	20	21	14*	8*	9000	1.5
4-012-0060	60	ø 1.2	20	21	14*	8*	5000	1.5
4-012-0075	75	ø 1.2	20	21	14*	8*	5000	1.5
4-012-0100	100	ø 1.2	20	21	14*	8*	3500	1.5
4-012-0150	150	ø 1.2	20	21	14*	8*	1500	1.5
4-012-0200	200	ø 1.2	20	21	14*	8*	1500	1.5
4-012-0250	250	ø 1.2	20	21	14*	8*	1800	1.5
4-012-0300	300	ø 1.2	20	21	14*	8*	2000	1.5
4-012-0350	350	ø 1.2	20	21	14*	8*	2000	1.5
4-012-0400	400	ø 1.2	20	21	14*	8*	2000	1.5
4-012-0450	450	ø 1.2	20	21	14*	8*	2000	1.5
4-015-0050	50	ø 1.5	20	21	14*	8*	8000	4
4-015-0060	60	ø 1.5	20	21	14*	8*	5000	4
4-015-0075	75	ø 1.5	20	21	14*	8*	5000	4
4-015-0100	100	ø 1.5	20	21	14*	8*	3500	4
4-015-0150	150	ø 1.5	20	21	14*	8*	1500	4
4-015-0200	200	ø 1.5	20	21	14*	8*	1500	4
4-015-0250	250	ø 1.5	20	21	14*	8*	1800	4
4-015-0300	300	ø 1.5	20	21	14*	8*	1500	4
4-015-0350	350	ø 1.5	20	21	14*	8*	1500	4
4-015-0400	400	ø 1.5	20	21	14*	8*	2000	4
4-015-0450	450	ø 1.5	20	21	14*	8*	2000	4
4-015-0500	500	ø 1.5	20	21	14*	8*	2000	4
4-015-0550	550	ø 1.5	20	21	14*	8*	2000	4
4-015-0600	600	ø 1.5	20	21	14*	8*	2000	4
4-015-0700	700	ø 1.5	20	21	14*	8*	2000	4
4-015-0800	800	ø 1.5	20	21	14*	8*	2000	4
4-015-0900	900	ø 1.5	20	21	14*	8*	1500	4
4-020-0050	50	ø 2.0	20	21	14*	8*	5000	6
4-020-0060	60	ø 2.0	20	21	14*	8*	4000	6
4-020-0075	75	ø 2.0	20	21	14*	8*	3500	6
4-020-0100	100	ø 2.0	20	21	14*	8*	2000	6
4-020-0150	150	ø 2.0	20	21	14*	8*	1250	6
4-020-0200	200	ø 2.0	20	21	14*	8*	1500	6
4-020-0250	250	ø 2.0	20	21	14*	8*	1250	6
4-020-0300	300	ø 2.0	20	21	14*	8*	1000	6
4-020-0350	350	ø 2.0	20	21	14*	8*	1250	6
4-020-0400	400	ø 2.0	20	21	14*	8*	2000	6
4-020-0450	450	ø 2.0	20	21	14*	8*	2000	6
4-020-0500	500	ø 2.0	20	21	14*	8*	1250	6
4-020-0550	550	ø 2.0	20	21	14*	8*	1250	6
4-020-0600	600	ø 2.0	20	21	14*	8*	1250	6
4-020-0700	700	ø 2.0	20	21	14*	8*	1250	6
4-020-0800	800	ø 2.0	20	21	14*	8*	1250	6
4-020-0900	900	ø 2.0	20	21	14*	8*	1000	6
4-020-1000	1000	ø 2.0	20	21	14*	8*	1000	6

HOOK 4

Art.No.	Length (mm)	Amm	Bmm	C mm	D mm	Radius	Pcs/box	Weight capacity kg
4-025-0050	50	ø 2.5	20	21	14*	8*	3000	8
4-025-0060	60	ø 2.5	20	21	14*	8*	2500	8
4-025-0075	75	ø 2.5	20	21	14*	8*	2000	8
4-025-0100	100	ø 2.5	20	21	14*	8*	1500	8
4-025-0150	150	ø 2.5	20	21	14*	8*	1000	8
4-025-0200	200	ø 2.5	20	21	14*	8*	900	8
4-025-0250	250	ø 2.5	20	21	14*	8*	800	8
4-025-0300	300	ø 2.5	20	21	14*	8*	800	8
4-025-0350	350	ø 2.5	20	21	14*	8*	1000	8
4-025-0400	400	ø 2.5	20	21	14*	8*	1000	8
4-025-0450	450	ø 2.5	20	21	14*	8*	1000	8
4-025-0500	500	ø 2.5	20	21	14*	8*	1000	8
4-025-0550	550	ø 2.5	20	21	14*	8*	1000	8
4-025-0600	600	ø 2.5	20	21	14*	8*	1000	8
4-025-0700	700	ø 2.5	20	21	14*	8*	1000	8
4-025-0800	800	ø 2.5	20	21	14*	8*	1000	8
4-025-0900	900	ø 2.5	20	21	14*	8*	700	8
4-025-1000	1000	ø 2.5	20	21	14*	8*	700	8
4-030-0050	50	ø 3.0	20	21	14*	8*	3000	16
4-030-0060	60	ø 3.0	20	21	14*	8*	2500	16
4-030-0070	70	ø 3.0	20	21	14*	8*	2000	16
4-030-0100	100	ø 3.0	20	21	14*	8*	1400	16
4-030-0150	150	ø 3.0	20	21	14*	8*	800	16
4-030-0200	200	ø 3.0	20	21	14*	8*	900	16
4-030-0250	250	ø 3.0	20	21	14*	8*	800	16
4-030-0300	300	ø 3.0	20	21	14*	8*	700	16
4-030-0350	350	ø 3.0	20	21	14*	8*	800	16
4-030-0400	400	ø 3.0	20	21	14*	8*	700	16
4-030-0450	450	ø 3.0	20	21	14*	8*	800	16
4-030-0500	500	ø 3.0	20	21	14*	8*	700	16
4-030-0550	550	ø 3.0	20	21	14*	8*	800	16
4-030-0600	600	ø 3.0	20	21	14*	8*	600	16
4-030-0700	700	ø 3.0	20	21	14*	8*	500	16
4-030-0800	800	ø 3.0	20	21	14*	8*	400	16
4-030-0900	900	ø 3.0	20	21	14*	8*	400	16
4-030-1000	1000	ø 3.0	20	21	14*	8*	400	16
4-040-0050	50	ø 4.0	22	30	21	12	1500	30
4-040-0060	60	ø 4.0	22	30	21	12	1500	30
4-040-0075	75	ø 4.0	22	30	21	12	1500	30
4-040-0100	100	ø 4.0	22	30	21	12	1000	30
4-040-0150	150	ø 4.0	22	30	21	12	500	30
4-040-0200	200	ø 4.0	22	30	21	12	500	30
4-040-0250	250	ø 4.0	22	30	21	12	500	30
4-040-0300	300	ø 4.0	22	30	21	12	300	30
4-040-0350	350	ø 4.0	22	30	21	12	300	30
4-040-0400	400	ø 4.0	22	30	21	12	300	30
4-040-0450	450	ø 4.0	22	30	21	12	300	30
4-040-0500	500	ø 4.0	22	30	21	12	300	30
4-040-0550	550	ø 4.0	22	30	21	12	300	30
4-040-0600	600	ø 4.0	22	30	21	12	300	30
4-040-0700	700	ø 4.0	22	30	21	12	300	30
4-040-0800	800	ø 4.0	22	30	21	12	250	30
4-040-0900	900	ø 4.0	22	30	21	12	250	30
4-040-1000	1000	ø 4.0	22	30	21	12	200	30

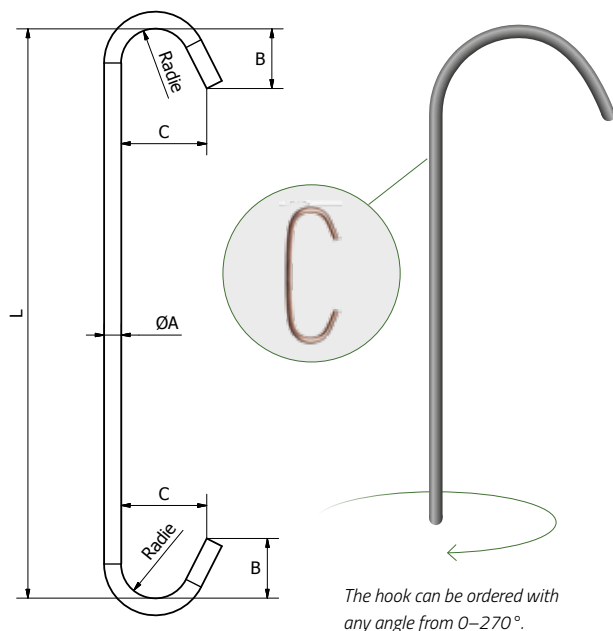
HOOK 4

Art.No.	Length (mm)	A mm	B mm	C mm	D mm	Radius	Pcs/box	Weight capacity kg
4-050-0050	50	ø 5.0	22	30	21	12	1000	50
4-050-0060	60	ø 5.0	22	30	21	12	1000	50
4-050-0075	75	ø 5.0	22	30	21	12	1000	50
4-050-0100	100	ø 5.0	22	30	21	12	800	50
4-050-0150	150	ø 5.0	22	30	21	12	400	50
4-050-0200	200	ø 5.0	22	30	21	12	400	50
4-050-0250	250	ø 5.0	22	30	21	12	300	50
4-050-0300	300	ø 5.0	22	30	21	12	300	50
4-050-0350	350	ø 5.0	22	30	21	12	300	50
4-050-0400	400	ø 5.0	22	30	21	12	300	50
4-050-0450	450	ø 5.0	22	30	21	12	300	50
4-050-0500	500	ø 5.0	22	30	21	12	300	50
4-050-0550	550	ø 5.0	22	30	21	12	300	50
4-050-0600	600	ø 5.0	22	30	21	12	250	50
4-050-0700	700	ø 5.0	22	30	21	12	200	50
4-050-0800	800	ø 5.0	22	30	21	12	200	50
4-050-0900	900	ø 5.0	22	30	21	12	150	50
4-050-1000	1000	ø 5.0	22	30	21	12	100	50
4-060-0050	50	ø 6.0	22	30	21	12	1000	65
4-060-0060	60	ø 6.0	22	30	21	12	1000	65
4-060-0070	70	ø 6.0	22	30	21	12	700	65
4-060-0100	100	ø 6.0	22	30	21	12	700	65
4-060-0150	150	ø 6.0	22	30	21	12	400	65
4-060-0200	200	ø 6.0	22	30	21	12	350	65
4-060-0250	250	ø 6.0	22	30	21	12	250	65
4-060-0300	300	ø 6.0	22	30	21	12	200	65
4-060-0350	350	ø 6.0	22	30	21	12	200	65
4-060-0400	400	ø 6.0	22	30	21	12	200	65
4-060-0450	450	ø 6.0	22	30	21	12	200	65
4-060-0500	500	ø 6.0	22	30	21	12	200	65
4-060-0550	550	ø 6.0	22	30	21	12	200	65
4-060-0600	600	ø 6.0	22	30	21	12	200	65
4-060-0700	700	ø 6.0	22	30	21	12	200	65
4-060-0800	800	ø 6.0	22	30	21	12	200	65
4-060-0900	900	ø 6.0	22	30	21	12	100	65
4-060-1000	1000	ø 6.0	22	30	21	12	100	65
4-080-0075	75	ø 8.0	23	37	32	16	300	90
4-080-0100	100	ø 8.0	23	37	32	16	200	90
4-080-0150	150	ø 8.0	23	37	32	16	100	90
4-080-0200	200	ø 8.0	23	37	32	16	100	90
4-080-0250	250	ø 8.0	23	37	32	16	100	90
4-080-0300	300	ø 8.0	23	37	32	16	100	90
4-080-0350	350	ø 8.0	23	37	32	16	100	90
4-080-0400	400	ø 8.0	23	37	32	16	100	90
4-080-0450	450	ø 8.0	23	37	32	16	100	90
4-080-0500	500	ø 8.0	23	37	32	16	100	90
4-080-0550	550	ø 8.0	23	37	32	16	100	90
4-080-0600	600	ø 8.0	23	37	32	16	100	90
4-080-0700	700	ø 8.0	23	37	32	16	100	90
4-080-0800	800	ø 8.0	23	37	32	16	50	90
4-080-0900	900	ø 8.0	23	37	32	16	50	90
4-080-1000	1000	ø 8.0	23	37	32	16	50	90

HOOK 4

Art.No.	Length (mm)	A mm	B mm	C mm	D mm	Radius	Pcs/box	Weight capacity kg
4-100-0075	75	∅ 10.0	35	59	51	25	200	165
4-100-0100	100	∅ 10.0	35	59	51	25	200	165
4-100-0150	150	∅ 10.0	35	59	51	25	150	165
4-100-0200	200	∅ 10.0	35	59	51	25	100	165
4-100-0250	250	∅ 10.0	35	59	51	25	100	165
4-100-0300	300	∅ 10.0	35	59	51	25	50	165
4-100-0350	350	∅ 10.0	35	59	51	25	50	165
4-100-0400	400	∅ 10.0	35	59	51	25	50	165
4-100-0450	450	∅ 10.0	35	59	51	25	50	165
4-100-0500	500	∅ 10.0	35	59	51	25	50	165
4-100-0550	550	∅ 10.0	35	59	51	25	50	165
4-100-0600	600	∅ 10.0	35	59	51	25	50	165
4-100-0700	700	∅ 10.0	35	59	51	25	50	165
4-100-0800	800	∅ 10.0	35	59	51	25	50	165
4-100-0900	900	∅ 10.0	35	59	51	25	50	165
4-100-1000	1000	∅ 10.0	35	59	51	25	50	165
4-120-0150	150	∅ 12.0	35	59	51	25	100	245
4-120-0200	200	∅ 12.0	35	59	51	25	100	245
4-120-0250	250	∅ 12.0	35	59	51	25	100	245
4-120-0300	300	∅ 12.0	35	59	51	25	50	245
4-120-0350	350	∅ 12.0	35	59	51	25	50	245
4-120-0400	400	∅ 12.0	35	59	51	25	25	245
4-120-0450	450	∅ 12.0	35	59	51	25	25	245
4-120-0500	500	∅ 12.0	35	59	51	25	25	245
4-120-0550	550	∅ 12.0	35	59	51	25	25	245
4-120-0600	600	∅ 12.0	35	59	51	25	25	245
4-120-0700	700	∅ 12.0	35	59	51	25	25	245
4-120-0800	800	∅ 12.0	35	59	51	25	20	245
4-120-0900	900	∅ 12.0	35	59	51	25	20	245
4-120-1000	1000	∅ 12.0	35	59	51	25	20	245





HOOK 5 | 0-270°

Apart from the standard version, the hooks are also available with a specified angle. All at no extra cost. We also accept orders for other end versions with, for example, radiuses, zero angles etc. The final digit in the article number indicates the length of the hook (50-1200 mm).

Art. No. 5 - A - XXXX - XXX

↓ Wire dimension ↓ Hook length ↓ Angle

Type of hook

*Hooks with dimensions ϕ 1.2–3.0 mm are also available with a radius = 11 or 12 mm.

We think ergonomically. That is why our boxes are always optimised to weigh no more than 20 kg.

*The number of hooks applies to angles 0° and 180°. Contact us for information about the number of hooks/box for other angles.

Art.No.	Length (mm)	Amm	Bmm	Cmm	Radius	Pcs/box	Weight capacity kg
5-012-0050R6	50	ϕ 1.2	10	15	6	9000	1.5
5-012-0060R6	60	ϕ 1.2	10	15	6	5000	1.5
5-012-0075R6	75	ϕ 1.2	10	15	6	5000	1.5
5-012-0100R6	100	ϕ 1.2	10	15	6	3500	1.5
5-012-0150R6	150	ϕ 1.2	10	15	6	1500	1.5
5-012-0200R6	200	ϕ 1.2	10	15	6	1500	1.5
5-012-0250R6	250	ϕ 1.2	10	15	6	1800	1.5
5-012-0300R6	300	ϕ 1.2	10	15	6	2000	1.5
5-012-0350R6	350	ϕ 1.2	10	15	6	2000	1.5
5-012-0400R6	400	ϕ 1.2	10	15	6	2000	1.5
5-012-0450R6	450	ϕ 1.2	10	15	6	2000	1.5
5-015-0050R6	50	ϕ 1.5	10	15	6	8000	4
5-015-0060R6	60	ϕ 1.5	10	15	6	5000	4
5-015-0075R6	70	ϕ 1.5	10	15	6	5000	4
5-015-0100R6	100	ϕ 1.5	10	15	6	3500	4
5-015-0150R6	150	ϕ 1.5	10	15	6	1500	4
5-015-0200R6	200	ϕ 1.5	10	15	6	1500	4
5-015-0250R6	250	ϕ 1.5	10	15	6	1800	4
5-015-0300R6	300	ϕ 1.5	10	15	6	1500	4
5-015-0350R6	350	ϕ 1.5	10	15	6	1500	4
5-015-0400R6	400	ϕ 1.5	10	15	6	2000	4
5-015-0450R6	450	ϕ 1.5	10	15	6	2000	4
5-015-0500R6	500	ϕ 1.5	10	15	6	2000	4
5-015-0550R6	550	ϕ 1.5	10	15	6	2000	4
5-015-0600R6	600	ϕ 1.5	10	15	6	2000	4
5-015-0700R6	700	ϕ 1.5	10	15	6	2000	4
5-015-0800R6	800	ϕ 1.5	10	15	6	2000	4
5-015-0900R6	900	ϕ 1.5	10	15	6	1500	4

HOOK 5

Art.No.	Length (mm)	Amm	Bmm	Cmm	Radius	Pcs/box	Weight capacity kg
5-020-0050R6	50	ø 2.0	10	15	6	5000	6
5-020-0060R6	60	ø 2.0	10	15	6	4000	6
5-020-0075R6	75	ø 2.0	10	15	6	3500	6
5-020-0100R6	100	ø 2.0	10	15	6	2000	6
5-020-0150R6	150	ø 2.0	10	15	6	1250	6
5-020-0200R6	200	ø 2.0	10	15	6	1500	6
5-020-0250R6	250	ø 2.0	10	15	6	1250	6
5-020-0300R6	300	ø 2.0	10	15	6	1000	6
5-020-0350R6	350	ø 2.0	10	15	6	1250	6
5-020-0400R6	400	ø 2.0	10	15	6	1250	6
5-020-0450R6	450	ø 2.0	10	15	6	1250	6
5-020-0500R6	500	ø 2.0	10	15	6	1250	6
5-020-0550R6	550	ø 2.0	10	15	6	1250	6
5-020-0600R6	600	ø 2.0	10	15	6	1250	6
5-020-0700R6	700	ø 2.0	10	15	6	1250	6
5-020-0800R6	800	ø 2.0	10	15	6	1250	6
5-020-0900R6	900	ø 2.0	10	15	6	1000	6
5-020-1000R6	1000	ø 2.0	10	15	6	1000	6
5-025-0050R6	50	ø 2.5	10	15	6	3000	8
5-025-0060R6	60	ø 2.5	10	15	6	2500	8
5-025-0070R6	70	ø 2.5	10	15	6	2000	8
5-025-0100R6	100	ø 2.5	10	15	6	1500	8
5-025-0150R6	150	ø 2.5	10	15	6	1000	8
5-025-0200R6	200	ø 2.5	10	15	6	900	8
5-025-0250R6	250	ø 2.5	10	15	6	800	8
5-025-0300R6	300	ø 2.5	10	15	6	800	8
5-025-0350R6	350	ø 2.5	10	15	6	1000	8
5-025-0400R6	400	ø 2.5	10	15	6	1000	8
5-025-0450R6	450	ø 2.5	10	15	6	1000	8
5-025-0500R6	500	ø 2.5	10	15	6	1000	8
5-025-0550R6	550	ø 2.5	10	15	6	1000	8
5-025-0600R6	600	ø 2.5	10	15	6	1000	8
5-025-0700R6	700	ø 2.5	10	15	6	1000	8
5-025-0800R6	800	ø 2.5	10	15	6	1000	8
5-025-0900R6	900	ø 2.5	10	15	6	700	8
5-025-1000R6	1000	ø 2.5	10	15	6	700	8
5-030-0050R6	50	ø 3.0	10	15	6	3000	16
5-030-0060R6	60	ø 3.0	10	15	6	2500	16
5-030-0075R6	75	ø 3.0	10	15	6	2000	16
5-030-0100R6	100	ø 3.0	10	15	6	1400	16
5-030-0150R6	150	ø 3.0	10	15	6	800	16
5-030-0200R6	200	ø 3.0	10	15	6	900	16
5-030-0250R6	250	ø 3.0	10	15	6	800	16
5-030-0300R6	300	ø 3.0	10	15	6	700	16
5-030-0350R6	350	ø 3.0	10	15	6	800	16
5-030-0400R6	400	ø 3.0	10	15	6	700	16
5-030-0450R6	450	ø 3.0	10	15	6	800	16
5-030-0500R6	500	ø 3.0	10	15	6	700	16
5-030-0550R6	550	ø 3.0	10	15	6	800	16
5-030-0600R6	600	ø 3.0	10	15	6	600	16
5-030-0700R6	700	ø 3.0	10	15	6	500	16
5-030-0800R6	800	ø 3.0	10	15	6	400	16
5-030-0900R6	900	ø 3.0	10	15	6	400	16
5-030-1000R6	1000	ø 3.0	10	15	6	400	16

HOOK 5

Art.No.	Length (mm)	Amm	Bmm	Cmm	Radius	Pcs/box	Weight capacity kg
5-012-0050	50	ø 1.2	14*	21	8*	9000	1.5
5-012-0060	60	ø 1.2	14*	21	8*	5000	1.5
5-012-0075	75	ø 1.2	14*	21	8*	5000	1.5
5-012-0100	100	ø 1.2	14*	21	8*	3500	1.5
5-012-0150	150	ø 1.2	14*	21	8*	1500	1.5
5-012-0200	200	ø 1.2	14*	21	8*	1500	1.5
5-012-0250	250	ø 1.2	14*	21	8*	1800	1.5
5-012-0300	300	ø 1.2	14*	21	8*	2000	1.5
5-012-0350	350	ø 1.2	14*	21	8*	2000	1.5
5-012-0400	400	ø 1.2	14*	21	8*	2000	1.5
5-012-0450	450	ø 1.2	14*	21	8*	2000	1.5
5-015-0050	50	ø 1.5	14*	21	8*	8000	4
5-015-0060	60	ø 1.5	14*	21	8*	5000	4
5-015-0075	70	ø 1.5	14*	21	8*	5000	4
5-015-0100	100	ø 1.5	14*	21	8*	3500	4
5-015-0150	150	ø 1.5	14*	21	8*	1500	4
5-015-0200	200	ø 1.5	14*	21	8*	1500	4
5-015-0250	250	ø 1.5	14*	21	8*	1800	4
5-015-0300	300	ø 1.5	14*	21	8*	1500	4
5-015-0350	350	ø 1.5	14*	21	8*	1500	4
5-015-0400	400	ø 1.5	14*	21	8*	2000	4
5-015-0450	450	ø 1.5	14*	21	8*	2000	4
5-015-0500	500	ø 1.5	14*	21	8*	2000	4
5-015-0550	550	ø 1.5	14*	21	8*	2000	4
5-015-0600	600	ø 1.5	14*	21	8*	2000	4
5-015-0700	700	ø 1.5	14*	21	8*	2000	4
5-015-0800	800	ø 1.5	14*	21	8*	2000	4
5-015-0900	900	ø 1.5	14*	21	8*	1500	4
5-020-0050	50	ø 2.0	14*	21	8*	5000	6
5-020-0060	60	ø 2.0	14*	21	8*	4000	6
5-020-0075	70	ø 2.0	14*	21	8*	3000	6
5-020-0100	100	ø 2.0	14*	21	8*	2000	6
5-020-0150	150	ø 2.0	14*	21	8*	1250	6
5-020-0200	200	ø 2.0	14*	21	8*	1500	6
5-020-0250	250	ø 2.0	14*	21	8*	1250	6
5-020-0300	300	ø 2.0	14*	21	8*	1000	6
5-020-0350	350	ø 2.0	14*	21	8*	1250	6
5-020-0400	400	ø 2.0	14*	21	8*	1250	6
5-020-0450	450	ø 2.0	14*	21	8*	1250	6
5-020-0500	500	ø 2.0	14*	21	8*	1250	6
5-020-0550	550	ø 2.0	14*	21	8*	1250	6
5-020-0600	600	ø 2.0	14*	21	8*	1250	6
5-020-0700	700	ø 2.0	14*	21	8*	1250	6
5-020-0800	800	ø 2.0	14*	21	8*	1250	6
5-020-0900	900	ø 2.0	14*	21	8*	1000	6
5-020-1000	1000	ø 2.0	14*	21	8*	1000	6

HOOK 5

Art.No.	Length (mm)	Amm	Bmm	Cmm	Radius	Pcs/box	Weight capacity kg
5-025-0050	50	ø2.5	14*	21	8*	3000	8
5-025-0060	60	ø2.5	14*	21	8*	2500	8
5-025-0075	75	ø2.5	14*	21	8*	2000	8
5-025-0100	100	ø2.5	14*	21	8*	1500	8
5-025-0150	150	ø2.5	14*	21	8*	1000	8
5-025-0200	200	ø2.5	14*	21	8*	900	8
5-025-0250	250	ø2.5	14*	21	8*	800	8
5-025-0300	300	ø2.5	14*	21	8*	800	8
5-025-0350	350	ø2.5	14*	21	8*	1000	8
5-025-0400	400	ø2.5	14*	21	8*	1000	8
5-025-0450	450	ø2.5	14*	21	8*	1000	8
5-025-0500	500	ø2.5	14*	21	8*	1000	8
5-025-0550	550	ø2.5	14*	21	8*	1000	8
5-025-0600	600	ø2.5	14*	21	8*	1000	8
5-025-0700	700	ø2.5	14*	21	8*	1000	8
5-025-0800	800	ø2.5	14*	21	8*	1000	8
5-025-0900	900	ø2.5	14*	21	8*	700	8
5-025-1000	1000	ø2.5	14*	21	8*	700	8
5-030-0050	50	ø3.0	14*	21	8*	3000	16
5-030-0060	60	ø3.0	14*	21	8*	2500	16
5-030-0075	70	ø3.0	14*	21	8*	2000	16
5-030-0100	100	ø3.0	14*	21	8*	1400	16
5-030-0150	150	ø3.0	14*	21	8*	800	16
5-030-0200	200	ø3.0	14*	21	8*	900	16
5-030-0250	250	ø3.0	14*	21	8*	800	16
5-030-0300	300	ø3.0	14*	21	8*	700	16
5-030-0350	350	ø3.0	14*	21	8*	800	16
5-030-0400	400	ø3.0	14*	21	8*	700	16
5-030-0450	450	ø3.0	14*	21	8*	800	16
5-030-0500	500	ø3.0	14*	21	8*	700	16
5-030-0550	550	ø3.0	14*	21	8*	800	16
5-030-0600	600	ø3.0	14*	21	8*	600	16
5-030-0700	700	ø3.0	14*	21	8*	500	16
5-030-0800	800	ø3.0	14*	21	8*	400	16
5-030-0900	900	ø3.0	14*	21	8*	400	16
5-030-1000	1000	ø3.0	14*	21	8*	400	16
5-040-0050	50	ø4.0	21	30	12	1500	30
5-040-0060	60	ø4.0	21	30	12	1500	30
5-040-0075	70	ø4.0	21	30	12	1500	30
5-040-0100	100	ø4.0	21	30	12	1000	30
5-040-0150	150	ø4.0	21	30	12	500	30
5-040-0200	200	ø4.0	21	30	12	500	30
5-040-0250	250	ø4.0	21	30	12	500	30
5-040-0300	300	ø4.0	21	30	12	300	30
5-040-0350	350	ø4.0	21	30	12	300	30
5-040-0400	400	ø4.0	21	30	12	300	30
5-040-0450	450	ø4.0	21	30	12	300	30
5-040-0500	500	ø4.0	21	30	12	300	30
5-040-0550	550	ø4.0	21	30	12	300	30
5-040-0600	600	ø4.0	21	30	12	300	30
5-040-0700	700	ø4.0	21	30	12	300	30
5-040-0800	800	ø4.0	21	30	12	250	30
5-040-0900	900	ø4.0	21	30	12	250	30
5-040-1000	1000	ø4.0	21	30	12	200	30

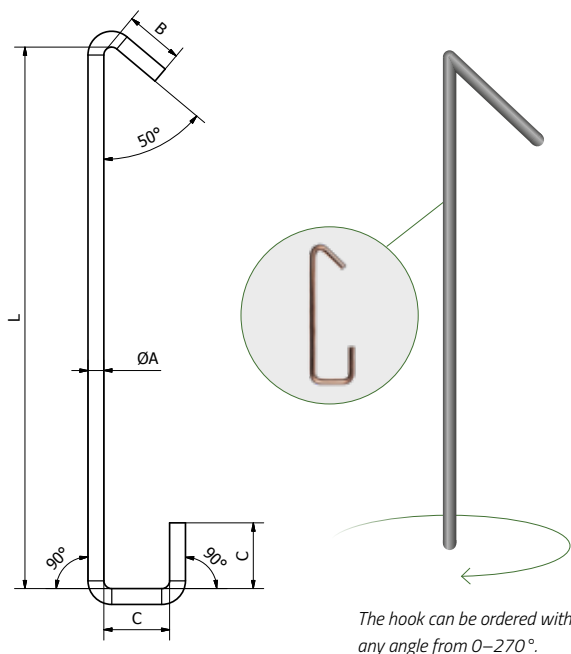
HOOK 5

Art.No.	Length (mm)	Amm	Bmm	Cmm	Radius	Pcs/box	Weight capacity kg
5-050-0050	50	ø5.0	21	30	12	1000	50
5-050-0060	60	ø5.0	21	30	12	1000	50
5-050-0075	75	ø5.0	21	30	12	1000	50
5-050-0100	100	ø5.0	21	30	12	800	50
5-050-0150	150	ø5.0	21	30	12	400	50
5-050-0200	200	ø5.0	21	30	12	400	50
5-050-0250	250	ø5.0	21	30	12	300	50
5-050-0300	300	ø5.0	21	30	12	300	50
5-050-0350	350	ø5.0	21	30	12	300	50
5-050-0400	400	ø5.0	21	30	12	300	50
5-050-0450	450	ø5.0	21	30	12	300	50
5-050-0500	500	ø5.0	21	30	12	300	50
5-050-0550	550	ø5.0	21	30	12	300	50
5-050-0600	600	ø5.0	21	30	12	250	50
5-050-0700	700	ø5.0	21	30	12	200	50
5-050-0800	800	ø5.0	21	30	12	200	50
5-050-0900	900	ø5.0	21	30	12	150	50
5-050-1000	1000	ø5.0	21	30	12	100	50
5-060-0050	50	ø6.0	21	30	12	1000	65
5-060-0060	60	ø6.0	21	30	12	1000	65
5-060-0075	70	ø6.0	21	30	12	700	65
5-060-0100	100	ø6.0	21	30	12	700	65
5-060-0150	150	ø6.0	21	30	12	400	65
5-060-0200	200	ø6.0	21	30	12	350	65
5-060-0250	250	ø6.0	21	30	12	250	65
5-060-0300	300	ø6.0	21	30	12	200	65
5-060-0350	350	ø6.0	21	30	12	200	65
5-060-0400	400	ø6.0	21	30	12	200	65
5-060-0450	450	ø6.0	21	30	12	200	65
5-060-0500	500	ø6.0	21	30	12	200	65
5-060-0550	550	ø6.0	21	30	12	200	65
5-060-0600	600	ø6.0	21	30	12	200	65
5-060-0700	700	ø6.0	21	30	12	200	65
5-060-0800	800	ø6.0	21	30	12	200	65
5-060-0900	900	ø6.0	21	30	12	100	65
5-060-1000	1000	ø6.0	21	30	12	100	65
5-080-0075	70	ø8.0	23	37	16	300	90
5-080-0100	100	ø8.0	23	37	16	200	90
5-080-0150	150	ø8.0	23	37	16	100	90
5-080-0200	200	ø8.0	23	37	16	100	90
5-080-0250	250	ø8.0	23	37	16	100	90
5-080-0300	300	ø8.0	23	37	16	100	90
5-080-0350	350	ø8.0	23	37	16	100	90
5-080-0400	400	ø8.0	23	37	16	100	90
5-080-0450	450	ø8.0	23	37	16	100	90
5-080-0500	500	ø8.0	23	37	16	100	90
5-080-0550	550	ø8.0	23	37	16	100	90
5-080-0600	600	ø8.0	23	37	16	100	90
5-080-0700	700	ø8.0	23	37	16	100	90
5-080-0800	800	ø8.0	23	37	16	50	90
5-080-0900	900	ø8.0	23	37	16	50	90
5-080-1000	1000	ø8.0	23	37	16	50	90

HOOK 5

Art.No.	Length (mm)	Amm	Bmm	Cmm	Radius	Pcs/box	Weight capacity kg
5-100-0075	75	∅ 10.0	50	59	25	200	165
5-100-0100	100	∅ 10.0	50	59	25	200	165
5-100-0150	150	∅ 10.0	50	59	25	150	165
5-100-0200	200	∅ 10.0	50	59	25	100	165
5-100-0250	250	∅ 10.0	50	59	25	100	165
5-100-0300	300	∅ 10.0	50	59	25	50	165
5-100-0350	350	∅ 10.0	50	59	25	50	165
5-100-0400	400	∅ 10.0	50	59	25	50	165
5-100-0450	450	∅ 10.0	50	59	25	50	165
5-100-0500	500	∅ 10.0	50	59	25	50	165
5-100-0550	550	∅ 10.0	50	59	25	50	165
5-100-0600	600	∅ 10.0	50	59	25	50	165
5-100-0700	700	∅ 10.0	50	59	25	50	165
5-100-0800	800	∅ 10.0	50	59	25	50	165
5-100-0900	900	∅ 10.0	50	59	25	50	165
5-100-1000	1000	∅ 10.0	50	59	25	50	165
5-120-0150	150	∅ 12.0	50	59	25	100	245
5-120-0200	200	∅ 12.0	50	59	25	100	245
5-120-0250	250	∅ 12.0	50	59	25	100	245
5-120-0300	300	∅ 12.0	50	59	25	50	245
5-120-0350	350	∅ 12.0	50	59	25	50	245
5-120-0400	400	∅ 12.0	50	59	25	25	245
5-120-0450	450	∅ 12.0	50	59	25	25	245
5-120-0500	500	∅ 12.0	50	59	25	25	245
5-120-0550	550	∅ 12.0	50	59	25	25	245
5-120-0600	600	∅ 12.0	50	59	25	25	245
5-120-0700	700	∅ 12.0	50	59	25	25	245
5-120-0800	800	∅ 12.0	50	59	25	20	245
5-120-0900	900	∅ 12.0	50	59	25	20	245
5-120-1000	1000	∅ 12.0	50	59	25	20	245





HOOK 6 | 0-270°

Apart from the standard version, the hooks are also available with a specified angle. All at no extra cost. We also accept orders for other end versions with, for example, radiuses, zero angles etc. The final digit in the article number indicates the length of the hook (50-1200 mm).

Art. No. 6 - A - XXXX - XXX

↓ Type of hook
↓ Wire dimension
↓ Hook length
↓ Angle

The hook can be ordered with any angle from 0-270°.

We think ergonomically. That is why our boxes are always optimised to weigh no more than 20 kg.

*The number of hooks applies to angles 0° and 180°. Contact us for information about the number of hooks/box for other angles.

Art.No.	Length (mm)	Amm	Bmm	Cmm	Pcs/box	Weight capacity kg	Art.No.	Length (mm)	Amm	Bmm	Cmm	Pcs/box	Weight capacity kg
6-012-0050	50	ø 1.2	20*	16/16	9000	1.5	6-015-0050	50	ø 1.5	20	16/16	8000	4
6-012-0060	60	ø 1.2	20*	16/16	5000	1.5	6-015-0060	60	ø 1.5	20	16/16	5000	4
6-012-0075	75	ø 1.2	20*	16/16	5000	1.5	6-015-0075	75	ø 1.5	20	16/16	5000	4
6-012-0100	100	ø 1.2	20*	16/16	3500	1.5	6-015-0100	100	ø 1.5	20	16/16	3500	4
6-012-0150	150	ø 1.2	20*	16/16	1500	1.5	6-015-0150	150	ø 1.5	20	16/16	1500	4
6-012-0200	200	ø 1.2	20*	16/16	1500	1.5	6-015-0200	200	ø 1.5	20	16/16	1500	4
6-012-0250	250	ø 1.2	20*	16/16	1800	1.5	6-015-0250	250	ø 1.5	20	16/16	1800	4
6-012-0300	300	ø 1.2	20*	16/16	2000	1.5	6-015-0300	300	ø 1.5	20	16/16	1500	4
6-012-0350	350	ø 1.2	20*	16/16	2000	1.5	6-015-0350	350	ø 1.5	20	16/16	1500	4
6-012-0400	400	ø 1.2	20*	16/16	2000	1.5	6-015-0400	400	ø 1.5	20	16/16	2000	4
6-012-0450	450	ø 1.2	20*	16/16	2000	1.5	6-015-0450	450	ø 1.5	20	16/16	2000	4
							6-015-0500	500	ø 1.5	20	16/16	2000	4
							6-015-0550	550	ø 1.5	20	16/16	2000	4
							6-015-0600	600	ø 1.5	20	16/16	2000	4
							6-015-0700	700	ø 1.5	20	16/16	2000	4
							6-015-0800	800	ø 1.5	20	16/16	2000	4
							6-015-0900	900	ø 1.5	20	16/16	1500	4

HOOK 6

Art.No.	Length (mm)	Amm	Bmm	Cmm	Pcs/box	Weight capacity kg	Art.No.	Length (mm)	Amm	Bmm	Cmm	Pcs/box	Weight capacity kg
6-020-0050	50	ø 2.0	20*	16/16	5000	6	6-040-0050	50	ø 4.0	20	16/16	1500	30
6-020-0060	60	ø 2.0	20*	16/16	4000	6	6-040-0060	60	ø 4.0	20	16/16	1500	30
6-020-0075	75	ø 2.0	20*	16/16	3500	6	6-040-0075	75	ø 4.0	20	16/16	1500	30
6-020-0100	100	ø 2.0	20*	16/16	2000	6	6-040-0100	100	ø 4.0	20	16/16	1000	30
6-020-0150	150	ø 2.0	20*	16/16	1250	6	6-040-0150	150	ø 4.0	20	16/16	500	30
6-020-0200	200	ø 2.0	20*	16/16	1500	6	6-040-0200	200	ø 4.0	20	16/16	500	30
6-020-0250	250	ø 2.0	20*	16/16	1250	6	6-040-0250	250	ø 4.0	20	16/16	500	30
6-020-0300	300	ø 2.0	20*	16/16	1000	6	6-040-0300	300	ø 4.0	20	16/16	300	30
6-020-0350	350	ø 2.0	20*	16/16	1250	6	6-040-0350	350	ø 4.0	20	16/16	300	30
6-020-0400	400	ø 2.0	20*	16/16	1250	6	6-040-0400	400	ø 4.0	20	16/16	300	30
6-020-0450	450	ø 2.0	20*	16/16	1250	6	6-040-0450	450	ø 4.0	20	16/16	300	30
6-020-0500	500	ø 2.0	20*	16/16	1250	6	6-040-0500	500	ø 4.0	20	16/16	300	30
6-020-0550	550	ø 2.0	20*	16/16	1250	6	6-040-0550	550	ø 4.0	20	16/16	300	30
6-020-0600	600	ø 2.0	20*	16/16	1250	6	6-040-0600	600	ø 4.0	20	16/16	300	30
6-020-0700	700	ø 2.0	20*	16/16	1250	6	6-040-0700	700	ø 4.0	20	16/16	300	30
6-020-0800	800	ø 2.0	20*	16/16	1250	6	6-040-0800	800	ø 4.0	20	16/16	250	30
6-020-0900	900	ø 2.0	20*	16/16	1000	6	6-040-0900	900	ø 4.0	20	16/16	250	30
6-020-1000	1000	ø 2.0	20*	16/16	1000	6	6-040-1000	1000	ø 4.0	20	16/16	200	30
6-025-0050	50	ø 2.5	20*	16/16	3000	8	6-050-0050	50	ø 5.0	22	25/25	1000	50
6-025-0060	60	ø 2.5	20*	16/16	2500	8	6-050-0060	60	ø 5.0	22	25/25	1000	50
6-025-0075	75	ø 2.5	20*	16/16	2000	8	6-050-0075	75	ø 5.0	22	25/25	1000	50
6-025-0100	100	ø 2.5	20*	16/16	2000	8	6-050-0100	100	ø 5.0	22	25/25	800	50
6-025-0150	150	ø 2.5	20*	16/16	1500	8	6-050-0150	150	ø 5.0	22	25/25	400	50
6-025-0200	200	ø 2.5	20*	16/16	1000	8	6-050-0200	200	ø 5.0	22	25/25	400	50
6-025-0250	250	ø 2.5	20*	16/16	900	8	6-050-0250	250	ø 5.0	22	25/25	300	50
6-025-0300	300	ø 2.5	20*	16/16	800	8	6-050-0300	300	ø 5.0	22	25/25	300	50
6-025-0350	350	ø 2.5	20*	16/16	800	8	6-050-0350	350	ø 5.0	22	25/25	300	50
6-025-0400	400	ø 2.5	20*	16/16	1000	8	6-050-0400	400	ø 5.0	22	25/25	300	50
6-025-0450	450	ø 2.5	20*	16/16	1000	8	6-050-0450	450	ø 5.0	22	25/25	300	50
6-025-0500	500	ø 2.5	20*	16/16	1000	8	6-050-0500	500	ø 5.0	22	25/25	300	50
6-025-0550	550	ø 2.5	20*	16/16	1000	8	6-050-0550	550	ø 5.0	22	25/25	300	50
6-025-0600	600	ø 2.5	20*	16/16	1000	8	6-050-0600	600	ø 5.0	22	25/25	250	50
6-025-0700	700	ø 2.5	20*	16/16	1000	8	6-050-0700	700	ø 5.0	22	25/25	200	50
6-025-0800	800	ø 2.5	20*	16/16	1000	8	6-050-0800	800	ø 5.0	22	25/25	200	50
6-025-0900	900	ø 2.5	20*	16/16	700	8	6-050-0900	900	ø 5.0	22	25/25	150	50
6-025-1000	1000	ø 2.5	20*	16/16	700	8	6-050-1000	1000	ø 5.0	22	25/25	100	50
6-030-0050	50	ø 3.0	20*	16/16	3000	16	6-060-0050	50	ø 6.0	22	25/25	1000	65
6-030-0060	60	ø 3.0	20*	16/16	2500	16	6-060-0060	60	ø 6.0	22	25/25	1000	65
6-030-0075	75	ø 3.0	20*	16/16	2000	16	6-060-0075	75	ø 6.0	22	25/25	700	65
6-030-0100	100	ø 3.0	20*	16/16	1400	16	6-060-0100	100	ø 6.0	22	25/25	700	65
6-030-0150	150	ø 3.0	20*	16/16	800	16	6-060-0150	150	ø 6.0	22	25/25	400	65
6-030-0200	200	ø 3.0	20*	16/16	900	16	6-060-0200	200	ø 6.0	22	25/25	350	65
6-030-0250	250	ø 3.0	20*	16/16	800	16	6-060-0250	250	ø 6.0	22	25/25	250	65
6-030-0300	300	ø 3.0	20*	16/16	700	16	6-060-0300	300	ø 6.0	22	25/25	200	65
6-030-0350	350	ø 3.0	20*	16/16	800	16	6-060-0350	350	ø 6.0	22	25/25	200	65
6-030-0400	400	ø 3.0	20*	16/16	700	16	6-060-0400	400	ø 6.0	22	25/25	200	65
6-030-0450	450	ø 3.0	20*	16/16	800	16	6-060-0450	450	ø 6.0	22	25/25	200	65
6-030-0500	500	ø 3.0	20*	16/16	700	16	6-060-0500	500	ø 6.0	22	25/25	200	65
6-030-0550	550	ø 3.0	20*	16/16	800	16	6-060-0550	550	ø 6.0	22	25/25	200	65
6-030-0600	600	ø 3.0	20*	16/16	600	16	6-060-0600	600	ø 6.0	22	25/25	200	65
6-030-0700	700	ø 3.0	20*	16/16	500	16	6-060-0700	700	ø 6.0	22	25/25	200	65
6-030-0800	800	ø 3.0	20*	16/16	400	16	6-060-0800	800	ø 6.0	22	25/25	200	65
6-030-0900	900	ø 3.0	20*	16/16	400	16	6-060-0900	900	ø 6.0	22	25/25	100	65
6-030-1000	900	ø 3.0	20*	16/16	400	16	6-060-1000	1000	ø 6.0	22	25/25	100	65

HOOK 6

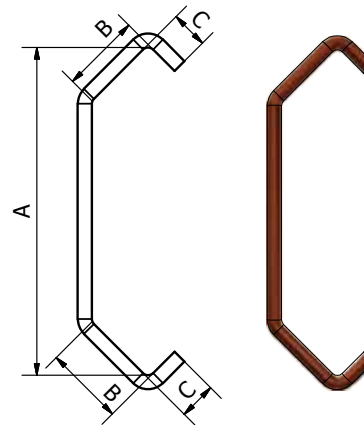
Art.No.	Length (mm)	Amm	Bmm	Cmm	Pcs/box	Weight capacity kg
6-080-0075	75	ø8.0	23	30/30	300	90
6-080-0100	100	ø8.0	23	30/30	200	90
6-080-0150	150	ø8.0	23	30/30	100	90
6-080-0200	200	ø8.0	23	30/30	100	90
6-080-0250	250	ø8.0	23	30/30	100	90
6-080-0300	300	ø8.0	23	30/30	100	90
6-080-0350	350	ø8.0	23	30/30	100	90
6-080-0400	400	ø8.0	23	30/30	100	90
6-080-0450	450	ø8.0	23	30/30	100	90
6-080-0500	500	ø8.0	23	30/30	100	90
6-080-0550	550	ø8.0	23	30/30	100	90
6-080-0600	600	ø8.0	23	30/30	100	90
6-080-0700	700	ø8.0	23	30/30	100	90
6-080-0800	800	ø8.0	23	30/30	50	90
6-080-0900	900	ø8.0	23	30/30	50	90
6-080-1000	1000	ø8.0	23	30/30	50	90

6-100-0075	75	ø 10.0	35	35/35	200	165
6-100-0100	100	ø 10.0	35	35/35	200	165
6-100-0150	150	ø 10.0	35	35/35	150	165
6-100-0200	200	ø 10.0	35	35/35	100	165
6-100-0250	250	ø 10.0	35	35/35	100	165
6-100-0300	300	ø 10.0	35	35/35	50	165
6-100-0350	350	ø 10.0	35	35/35	50	165
6-100-0400	400	ø 10.0	35	35/35	50	165
6-100-0450	450	ø 10.0	35	35/35	50	165
6-100-0500	500	ø 10.0	35	35/35	50	165
6-100-0550	550	ø 10.0	35	35/35	50	165
6-100-0600	600	ø 10.0	35	35/35	50	165
6-100-0700	700	ø 10.0	35	35/35	50	165
6-100-0800	800	ø 10.0	35	35/35	50	165
6-100-0900	900	ø 10.0	35	35/35	50	165
6-100-1000	1000	ø 10.0	35	35/35	50	165

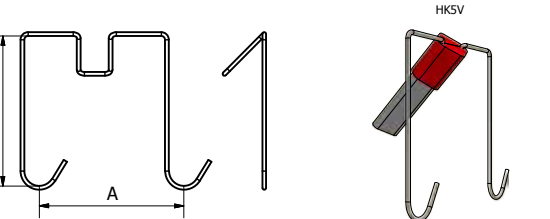
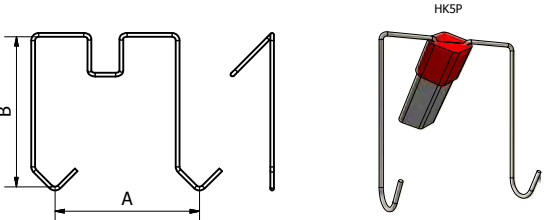
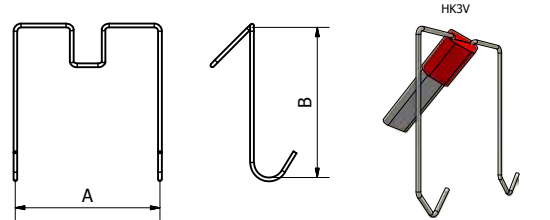
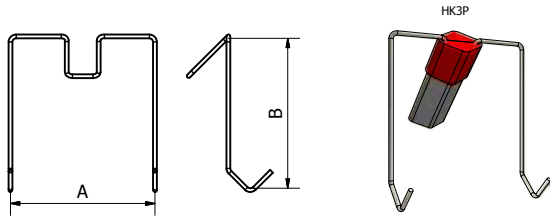
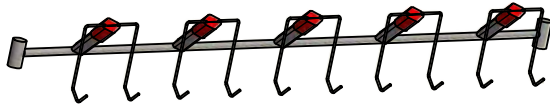
6-120-0150	150	ø 12.0	35	50/50	100	245
6-120-0200	200	ø 12.0	35	50/50	100	245
6-120-0250	250	ø 12.0	35	50/50	100	245
6-120-0300	300	ø 12.0	35	50/50	50	245
6-120-0350	350	ø 12.0	35	50/50	50	245
6-120-0400	400	ø 12.0	35	50/50	25	245
6-120-0450	450	ø 12.0	35	50/50	25	245
6-120-0500	500	ø 12.0	35	50/50	25	245
6-120-0550	550	ø 12.0	35	50/50	25	245
6-120-0600	600	ø 12.0	35	50/50	25	245
6-120-0700	700	ø 12.0	35	50/50	25	245
6-120-0800	800	ø 12.0	35	50/50	20	245
6-120-0900	900	ø 12.0	35	50/50	20	245
6-120-1000	1000	ø 12.0	35	50/50	20	245

HOOK WITH SHORT LEG

Hook with short ends for reduced shading on back side.



Art.No.	Amm	Bmm	Cmm	Dia mm	Pcs/box
KKS-1	50	17	8	1,5	8000
KKS-2	75	17	8	1,5	5000
KKS-3	100	17	8	1,5	3000
KKS-4	150	17	8	1,5	1500
KKS-5	200	17	8	1,5	1500
KKS-6	250	17	8	1,5	1500
KKS-7	300	17	8	1,5	1500
KKS-8	350	17	8	1,5	1500
KKS-9	400	17	8	1,5	2000
KKS-10	50	17	8	2,0	5000
KKS-11	75	17	8	2,0	3500
KKS-12	100	17	8	2,0	2000
KKS-13	150	17	8	2,0	1250
KKS-14	200	17	8	2,0	1500
KKS-15	250	17	8	2,0	1250
KKS-16	300	17	8	2,0	1000
KKS-17	350	17	8	2,0	1250
KKS-18	400	17	8	2,0	1250



SUSPENSION HOOK

Hook with 2 suspension points matching strut with pipe for stable suspension. Available to size.

Art.No.	Amm	Bmm	Dimension	Pcs/box
HK3P-1	75	50	2,0	500
HK3P-2	75	75	2,0	250
HK3P-3	75	100	2,0	250
HK3V-1	75	50	2,0	500
HK3V-2	75	75	2,0	250
HK3V-3	75	100	2,0	250
HK5P-1	75	50	2,0	500
HK5P-2	75	75	2,0	250
HK5P-3	75	100	2,0	250
HK5V-1	75	50	2,0	500
HK5V-2	75	75	2,0	250
HK5V-3	75	100	2,0	250



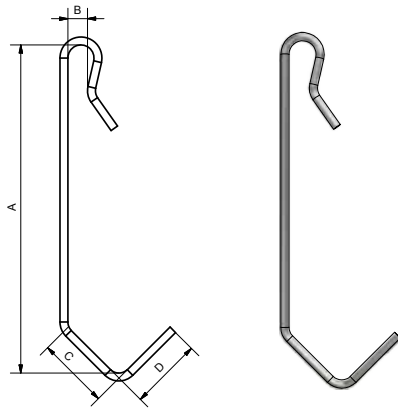
CASE: HYDRO



Mikael Loberg, CTO,
Hydro Extrusion Sweden AB

**“BUILDING FIXTURES
IS ONE THING BUT
SUSPENDING THEM IS
ENTIRELY DIFFERENT”**

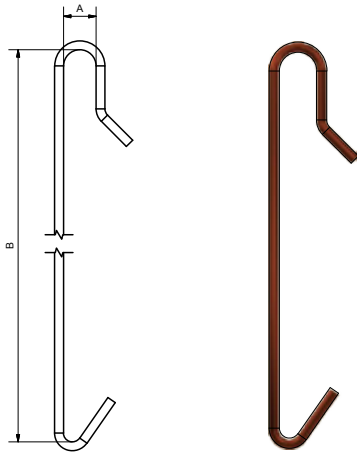
It used to be a case of just pushing on but these days Hydro knows it's all about optimisation. Together with Epifatech, old ideas are being revitalised for new generations in order to find customer-specific solutions. Ideas come about through teamwork and constant calculations create optimised hooks to keep on improving.



CLAMP HOOK

Stable suspension with clamp function and heavy suspension area thanks to thick thread.

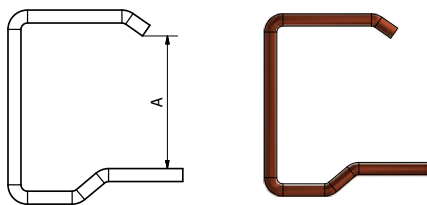
Art.No.	Amm	Bmm	C mm	D mm	Pcs/box
KLK-1	30	4,5	11	11	10000
KLK-2	50	4,5	11	11	9000
KLK-3	60	4,5	11	11	7000
KLK-4	75	4,5	11	11	5000



VERTICAL HOOK

Hook for simple suspension on vertical system.

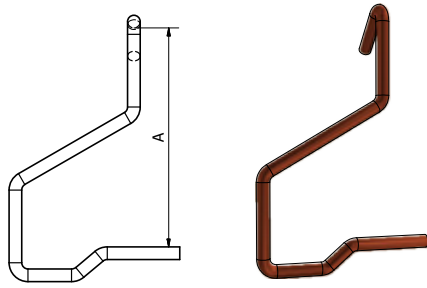
Art.No.	Amm	Bmm	Dia mm	Pcs/box
VTK-1	8	650	3	500
VTK-2	8	680	3	500
VTK-3	8	685	3	500
VTK-4	8	720	3	250
VTK-5	8	800	3	250
VTK-6	8	650	3,5	500
VTK-7	8	680	3,5	500
VTK-8	8	685	3,5	250
VTK-9	8	720	3,5	250
VTK-10	8	800	3,5	250
VTK-11	8	650	4	250
VTK-12	8	680	4	250
VTK-13	8	685	4	250
VTK-14	8	720	4	250
VTK-15	8	800	4	250



PIPE HOOK

Distribution hook with minimal contact surface.

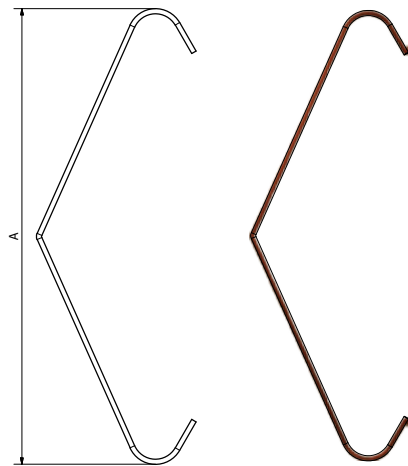
Art.No.	Amm	Dia mm	Pcs/box
RK-1	50	5	250
RK-2	50	8	150
RK-3	50	10	75
RK-4	50	12	50
RK-5	100	5	250
RK-6	100	8	150
RK-7	100	10	75
RK-8	100	12	50



TOP PIPE HOOK

Top hook for suspending pipes.

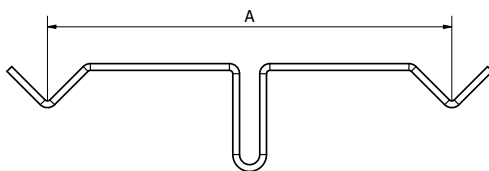
Art.No.	Amm	Dia mm	Pcs/box
TRK-1	250	8	50
TRK-2	500	8	50
TRK-3	250	10	25
TRK-4	500	10	25
TRK-5	250	12	25
TRK-6	500	12	20



ANGLED HOOK

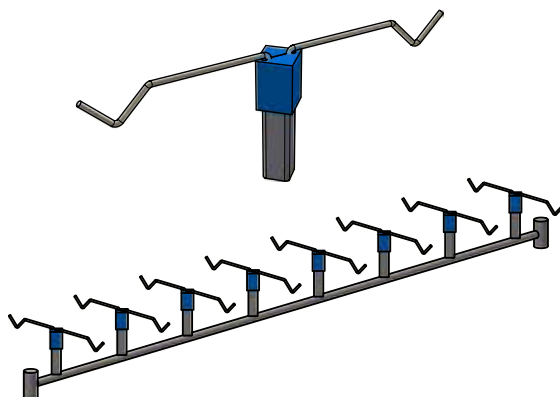
Off-centre hook to allow product to hang freely from bottom of hook.

Art.No.	Amm	Dia mm	Pcs/box
SK-1	50	1,5	5000
SK-2	75	1,5	3000
SK-3	100	1,5	2000
SK-4	150	1,5	1000
SK-5	200	1,5	700
SK-6	50	2,0	5000
SK-7	75	2,0	3000
SK-8	100	2,0	2000
SK-9	150	2,0	1000
SK-10	200	2,0	700



DOUBLE HOOK FOR PIPE STRUT

Hook to match strut with pipe with two suspension areas for stable suspension.



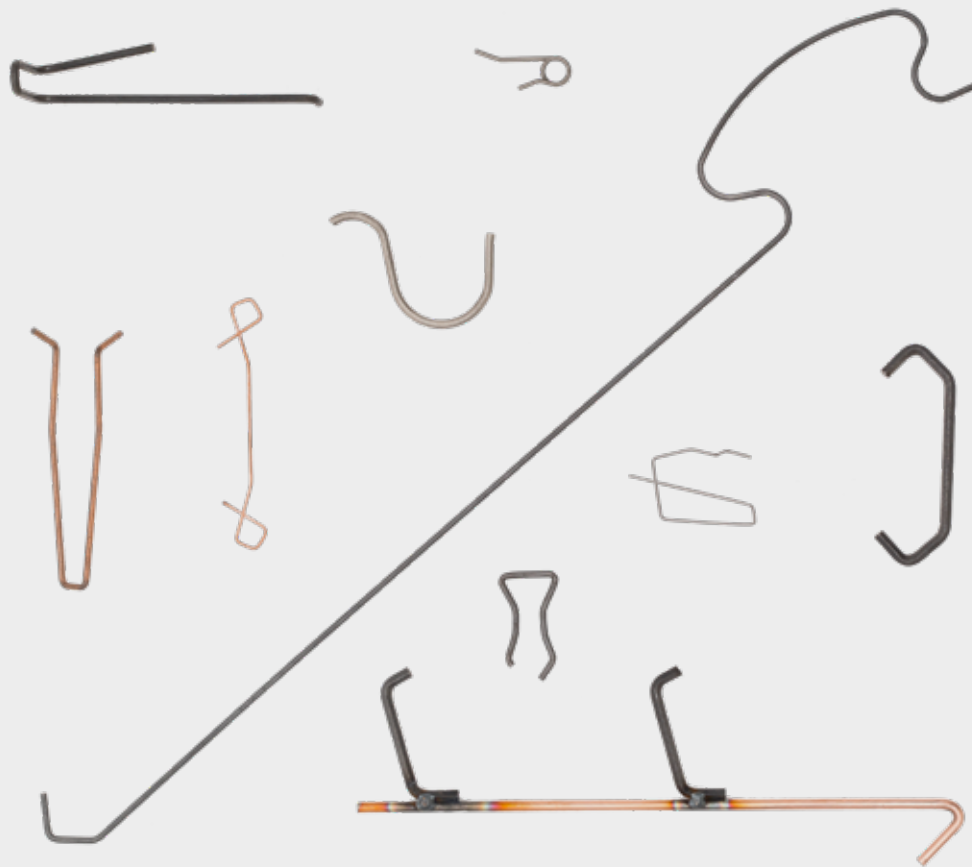
Art.No.	Amm	Dia mm	Pcs/box
DKHL-75X1,5	75	1,5	1000
DKHL-100X1,5	100	1,5	500
DKHL-150X1,5	150	1,5	250
DKHL-75X2	75	2,0	1000
DKHL-100X2	100	2,0	500
DKHL-150X2	150	2,0	250
DKHL-75X3	75	3,0	500
DKHL-100X3	100	3,0	500
DKHL-150X3	150	3,0	250
DKHS-75X2	75	2,0	500
DKHS-100X2	100	2,0	500
DKHS-150X2	150	2,0	250
DKHS-75X3	75	3,0	500
DKHS-100X3	100	3,0	500
DKHS-150X3	150	3,0	250

DKHL= Double hook for square tube small
DKHS= Double hook for square tube large

OPTIMISED *by* EPIFATECH

SPECIAL HOOKS

Apart from our range of standard hooks, we naturally offer made-to-order hooks. We can supply hooks in a choice of materials and designs entirely in accordance with the customer's wishes. The following are a few examples.



OPTIMISED *by* EPIFATECH



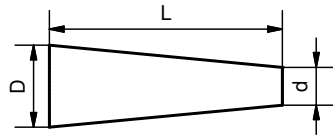


Masking for holes & axles

82-107



Masking for holes	84
Masking for axles	98
Masking other	105



CONICAL PLUG

Conical plug for threaded or smooth holes.

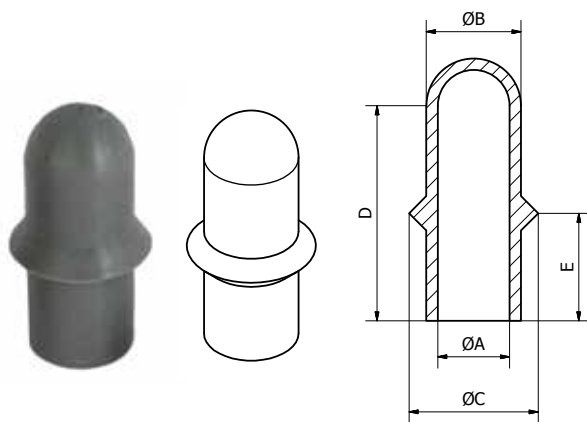
Art.No.	D mm	d mm	L mm	Fits	Pcs/box
KP-63-625	1,60	0,41	15,88		1000
KP-78-750	1,98	0,51	19,05		1000
KP-78-1000	1,98	0,51	25,40		1000
KP-100-625	2,54	0,81	15,88		1000
KP-100-1000	2,54	0,81	25,40		1000
KP-125-625	3,18	1,60	15,88	M3	1000
KP-177-591	4,50	1,50	15,01	M4	1000
KP-187-394	4,75	2,79	10,01		1000
KP-187-625	4,75	1,60	15,88		1000
KP-187-750	4,75	1,60	19,05		1000
KP-188-2200	4,78	1,19	55,88		1000
KP-197-1100	5,00	1,19	27,89		1000
KP-200-750	5,08	1,60	19,05		1000
KP-216-1500	5,49	1,19	38,10		1000
KP-218-250	5,54	4,70	6,35		1000
KP-250-750	6,35	3,18	19,05	M5	1000
KP-250-1000	6,35	3,18	25,40		1000
KP-276-787	7,01	3,00	19,99		1000
KP-315-787	8,00	3,99	19,99		1000
KP-343-625	8,71	4,78	15,88	M6	1000
KP-343-750	8,71	4,78	19,05		1000
KP-343-1000	8,71	4,78	25,40		1000
KP-354-984	8,99	4,50	24,99		1000
KP-375-500	9,53	6,35	12,70	M8	1000
KP-375-750	9,53	6,35	19,05		1000
KP-375-1000	9,53	6,35	25,40		1000
KP-375-1250	9,53	3,18	31,75		1000
KP-393-787	9,98	6,00	19,99		1000

Art.No.	D mm	d mm	L mm	Fits	Pcs/box
KP-394-1890	10,01	5,00	48,01		1000
KP-395-1969	10,03	5,00	50,01		1000
KP-433-748	11,00	8,00	19,00		1000
KP-433-1063	11,00	8,00	27,00		1000
KP-437-1000	11,10	6,35	25,40	M10	500
KP-438-688	11,13	8,74	17,48		500
KP-438-748	11,13	8,99	19,00	M12	500
KP-469-813	11,91	8,74	20,65		500
KP-472-748	11,99	8,99	19,00		500
KP-473-787	12,01	7,90	19,99		500
KP-487-748	12,37	8,99	19,00		500
KP-500-813	12,70	7,92	20,65		500
KP-500-1000	12,70	7,90	25,40		500
KP-500-2000	12,70	3,20	50,80		500
KP-512-984	13,00	8,99	24,99		500
KP-512-1125	13,00	7,95	28,58		500
KP-562-1125	14,27	7,95	28,58		500
KP-563-1000	14,30	9,53	25,40	M14	500
KP-591-787	15,01	11,00	19,99		500
KP-594-1000	15,09	10,31	25,40		500
KP-625-813	15,88	11,10	20,65	M16	500
KP-625-875	15,88	11,13	22,23		500
KP-625-1000	15,88	12,70	25,40		500
KP-656-1000	16,66	12,70	25,40		500
KP-669-1000	16,99	13,00	25,40	M18	250
KP-687-787	17,45	14,00	19,99		250
KP-687-1000	17,45	11,13	25,40		250
KP-709-787	18,01	14,00	19,99		250
KP-748-1000	19,00	14,27	25,40	M20	250
KP-787-1000	19,99	15,88	25,40		250
KP-800-625	20,32	15,88	15,88		250
KP-812-1000	20,62	15,88	25,40		250
KP-827-1000	21,01	16,00	25,40		250
KP-925-750	23,50	19,05	19,05		100
KP-925-1000	23,50	19,05	25,40		100
KP-938-1000	23,83	18,26	25,40		100
KP-945-750	24,00	19,20	19,05		100
KP-946-1181	24,03	18,01	30,00		100
KP-990-795	25,15	22,40	20,19		100
KP-990-885	25,15	19,99	22,48		100
KP-1000-1000	25,40	19,84	25,40		100
KP-1000-1000	25,40	19,84	25,40		100

CONICAL PLUG, CONTINUED

Art.No.	D mm	d mm	L mm	Fits	Pcs/box
KP-1024-795	26,01	22,35	20,19		100
KP-1024-1000	26,01	19,99	25,40		100
KP-1062-0984	26,97	22,00	24,99		100
KP-1063-1000	27,00	23,01	25,40		100
KP-1100-1000	27,94	23,83	25,40		100
KP-1102-2000	27,99	19,05	50,80		100
KP-1181-1000	30,00	27,79	25,40		100
KP-1220-1181	30,99	24,99	30,00		100
KP-1250-1000	31,75	26,19	25,40		100
KP-1313-1000	33,35	27,00	25,40		100
KP-1338-1000	33,99	27,00	25,40		50
KP-1438-1000	36,53	30,18	25,40		50
KP-1456-1000	36,98	30,18	25,40		50
KP-1496-1378	38,00	30,99	35,00		50
KP-1531-1000	38,89	31,75	25,40		50
KP-1614-1000	41,00	33,02	25,40		50
KP-1615-1378	41,02	34,01	35,00		50
KP-1625-1000	41,28	33,35	25,40		50
KP-1688-1000	42,88	35,71	25,40		50
KP-1732-1575	43,99	36,00	40,01		50

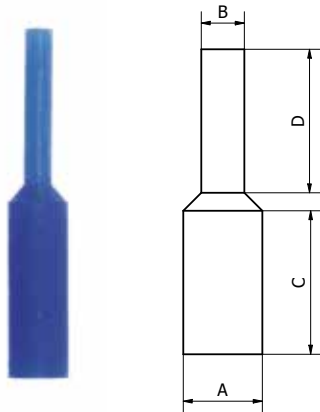
Art.No.	D mm	d mm	L mm	Fits	Pcs/box
KP-1750-1000	44,45	37,31	25,40		50
KP-1772-1000	45,01	37,01	25,40		50
KP-1813-1000	46,05	38,10	25,40		50
KP-1929-1575	49,00	41,00	40,01		50
KP-1969-1000	50,01	41,28	25,40		50
KP-2063-1000	52,40	44,45	25,40		20
KP-2086-1000	52,98	44,96	25,40		20
KP-2165-1575	54,99	46,99	40,01		20
KP-2203-1000	55,96	47,63	25,40		20
KP-2362-1772	59,99	50,00	45,01		20
KP-2469-1000	62,71	50,01	25,40		20
KP-2480-1000	62,99	50,01	25,40		20
KP-2500-1000	63,50	53,98	25,40		20
KP-2688-1000	68,28	57,94	25,40		20
KP-2953-1375	75,01	61,93	34,93		20
KP-3500-1500	88,90	76,20	38,10		20
KP-3543-1535	89,99	75,01	38,99		20
KP-4000-1500	101,60	82,55	38,10		20
KP-4055-1535	103,00	82,98	38,99		20
KP-5000-2000	127,00	88,90	50,80		20



SLEEVE WITH FLANGE

A sleeve with a flange that protects the entry hole. For threaded or smooth holes.

Art. No.	Amm	Bmm	Cmm	Dmm	Emm	Pcs/box
HMF-M8	4,39	7,39	11,99	30,99	11,99	1000
HMF-M10	5,69	8,71	14,71	32,00	13,00	500
HMF-M12	7,65	10,69	15,80	33,02	14,00	500
HMF-M12L	8,00	10,69	15,80	45,66	14,00	500
HMF-M14	10,69	13,69	18,01	34,04	15,01	250
HMF-M14L	9,55	12,70	17,53	57,15	17,02	250



PULL PLUG

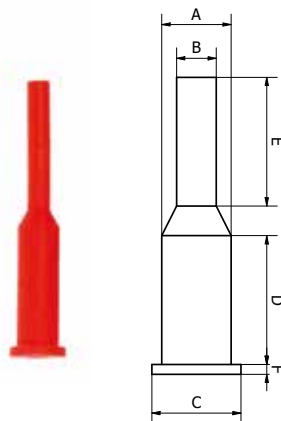
Pull plug for masking threaded or smooth holes.

Art.No.	Amm	Bmm	Cmm	Dmm	Fits	Pcs/box
DP-62-375	1,6	1,2	9,5	8,6		1000
DP-62-500	1,6	1,0	12,7	12,7		1000
DP-63-625	1,6	1,1	15,9	15,9		1000
DP-67-625	1,7	1,2	15,9	15,5		1000
DP-73-612	1,9	1,2	15,5	15,0		1000
DP-80-1000	2,0	1,1	25,4	25,4		1000
DP-91-625	2,3	1,3	15,9	15,9		1000
DP-91-1000	2,3	1,3	25,4	25,4		1000
DP-93-625	2,4	1,3	15,9	15,9		1000
DP-93-700	2,4	1,6	17,8	17,8		1000
DP-95-1000	2,4	1,3	25,4	25,4		1000
DP-104-625	2,6	1,6	15,9	15,9		1000
DP-105-1000	2,7	2,1	25,4	25,4		1000
DP-109-625	2,8	1,6	15,9	15,9	M3	1000
DP-109-1000	2,8	1,6	25,4	25,4	M3	1000
DP-118-1000	3,0	2,1	25,4	25,4		1000
DP-125-625	3,2	1,6	15,9	15,9		1000
DP-130-625	3,3	2,4	15,9	17,8		1000
DP-130-1000	3,3	2,4	25,4	25,4		1000
DP-140-625	3,6	2,2	15,9	14,2	M4	1000
DP-142-1250	3,6	2,3	31,8	31,8	M4	1000
DP-154-625	3,9	1,6	15,9	15,9		1000
DP-156-625	4,0	1,6	15,9	19,1		1000
DP-156-1250	4,0	2,4	31,8	31,8		1000
DP-158-1000	4,0	2,1	25,4	25,4		1000
DP-158-1250	4,0	2,1	31,8	31,8		1000
DP-158-1500	4,0	2,4	38,1	38,1		1000
DP-160-780	4,1	2,4	19,8	19,8		1000
DP-162-625	4,1	2,4	15,9	14,8		1000
DP-175-1250	4,5	3,1	31,8	31,8		1000

Art.No.	Amm	Bmm	Cmm	Dmm	Fits	Pcs/box
DP-187-625	4,8	2,8	15,9	15,9	M5	1000
DP-190-1250	4,8	3,6	31,8	31,8	M5	1000
DP-190-2250	4,8	2,8	57,2	57,2	M5	1000
DP-195-625	5,0	2,8	15,9	15,9		1000
DP-195-1000	5,0	2,8	25,4	25,4		1000
DP-195-1250	5,0	3,2	31,8	31,8		1000
DP-197-1000	5,0	2,8	25,4	25,4		1000
DP-218-1000	5,5	3,3	25,4	25,4	M6	500
DP-225-1000	5,7	3,2	25,4	25,4	M6	500
DP-236-400	6,0	4,5	10,2	10,2		500
DP-236-1250	6,0	4,2	31,8	31,8		500
DP-244-1250	6,2	4,3	31,8	31,8		500
DP-250-1250	6,4	3,2	31,8	31,8		500
DP-257-1000	6,5	3,3	25,4	25,4		500
DP-257-1250	6,5	3,3	31,8	31,8		500
DP-260-1000	6,6	3,3	25,4	25,4		500
DP-265-1250	6,7	4,7	31,8	31,8		500
DP-275-937	7,0	3,2	23,8	23,4		500
DP-275-2000	7,0	3,7	50,8	50,8		500
DP-281-1000	7,1	3,5	25,4	25,4	M8	500
DP-312-1000	7,9	3,7	25,4	25,4		500
DP-312-1250	7,9	3,9	31,8	31,8		500
DP-316-1000	8,0	3,9	25,4	21,6		500
DP-332-1125	8,4	6,4	28,6	20,3		500
DP-333-757	8,5	6,4	19,2	26,7		500
DP-335-1000	8,5	3,9	25,4	25,4		500
DP-335-1250	8,5	3,9	31,8	31,8		500
DP-350-900	8,9	4,9	22,9	25,4	M10	500
DP-355-1000	9,0	4,0	25,4	25,4		500
DP-370-1181	9,4	4,7	30,0	30,0		500
DP-375-1000	9,5	4,0	25,4	25,4		500
DP-375-1250	9,5	4,8	31,8	31,8		500
DP-384-1000	9,8	3,9	25,4	25,4		500
DP-384-1250	9,8	3,9	31,8	31,8		500
DP-384-2000	9,8	3,9	50,8	50,8		500
DP-388-1000	9,9	4,0	25,4	25,4		500
DP-400-500	10,2	4,0	12,7	12,7		250
DP-400-1000	10,2	4,0	25,4	25,4		250
DP-408-1000	10,4	4,9	25,6	25,4	M12	250
DP-414-525	10,5	4,0	13,3	19,2		250
DP-414-1000	10,5	4,0	25,4	25,4		250
DP-437-1500	11,1	7,6	38,1	38,1		250
DP-440-1000	11,2	6,6	25,4	25,4		250
DP-440-2000	11,2	4,0	50,8	50,8		250
DP-444-1000	11,3	6,5	25,4	25,2		250
DP-444-1250	11,3	6,5	31,8	31,8		250

PULL PLUG CONTINUED

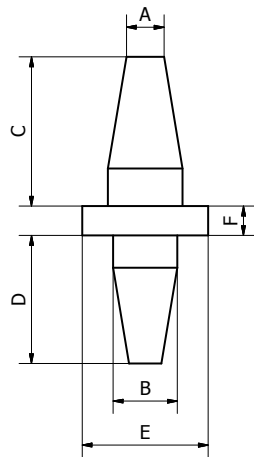
Art.No.	Amm	Bmm	Cmm	Dmm	Fits	Pcs/box	Art.No.	Amm	Bmm	Cmm	Dmm	Fits	Pcs/box
DP-445-1000	11,3	6,5	25,4	25,4		250	DP-729-1000	18,5	8,0	25,4	25,4		100
DP-468-1000	11,9	6,4	25,4	25,4		250	DP-729-1500	18,5	9,8	38,1	38,1		100
DP-472-1000	12,0	6,2	25,4	25,4		250	DP-750-1000	19,1	9,5	25,4	25,4		100
DP-496-1000	12,6	6,4	25,4	25,4	M14	250	DP-770-1000	19,6	9,5	25,4	23,6		100
DP-496-2000	12,6	6,4	50,8	50,8	M14	250	DP-770-1125	19,6	9,5	28,6	28,6		100
DP-500-1000	12,7	6,4	25,4	25,4		250	DP-770-1500	19,6	10,4	38,1	38,1		100
DP-510-1000	13,0	6,5	25,4	24,3		250	DP-770-1960	19,6	10,4	49,8	53,3		100
DP-530-1000	13,5	6,4	25,4	25,4		250	DP-798-650	20,3	10,2	16,5	20,3		100
DP-530-2062	13,5	6,4	52,4	52,4		250	DP-807-1250	20,5	10,9	31,8	31,8		100
DP-551-1181	14,0	6,4	30,0	30,0		250	DP-807-1500	20,5	10,9	38,1	38,1		100
DP-570-1000	14,5	7,9	25,4	25,4	M16	250	DP-809-1000	20,6	8,0	25,4	25,4		100
DP-571-1750	14,5	7,7	44,5	44,5		250	DP-843-2000	21,4	9,5	50,8	50,8		100
DP-580-1500	14,7	8,0	38,1	38,1		250	DP-850-2250	21,6	11,4	57,2	57,2		100
DP-590-1000	15,0	6,4	25,4	25,4		250	DP-888-1000	22,6	9,5	25,4	25,4		100
DP-612-1000	15,5	6,4	25,4	25,4		250	DP-896-1000	22,8	9,5	25,4	25,4		100
DP-612-2000	15,5	8,3	50,8	50,8		250	DP-897-1500	22,8	9,5	38,1	38,1		100
DP-620-1500	15,8	8,4	38,1	38,1	M18	250	DP-1000-1000	25,4	9,5	25,4	25,4		100
DP-640-1000	16,3	9,5	25,4	25,4		250	DP-1020-1000	25,9	9,5	25,4	24,6		100
DP-670-1500	17,0	11,9	38,1	38,1		250	DP-1020-1250	25,9	9,5	31,8	31,8		100
DP-700-1000	17,8	9,5	25,4	25,4		100	DP-1220-1250	31,0	9,5	31,8	31,8		100
DP-700-1250	17,8	9,5	31,8	31,8		100	DP-1380-1000	35,1	12,7	25,4	25,4		50
DP-700-1500	17,8	9,5	38,1	38,1		100	DP-1380-1500	35,1	18,6	38,1	38,1		50
DP-707-1250	18,0	9,5	31,8	33,7	M20	100	DP-1450-1000	36,8	12,7	25,4	25,4		50
DP-728-1125	18,5	9,5	28,6	27,9		100	DP-1713-2756	43,5	22,0	70,0	70,0		50



PULL PLUG WITH FLANGE

A pull plug for threaded or smooth holes with a flange to protect the entry thread.

Art.No.	Amm	Bmm	Cmm	Dmm	Emm	Fmm	Fits	Pcs/box
DF-173	4,4	2,5	6,4	25,4	25,4	1,5	M5	500
DF-210	5,3	3,3	9,1	12,7	12,7	1,0	M6	500
DF-218	5,5	3,2	8,6	25,4	26,2	1,8	M6	500
DF-230	5,8	3,2	8,9	25,4	26,2	1,8	M6	500
DF-285	7,2	4,1	10,2	25,4	27,0	1,8	M8	500
DF-335	8,5	4,1	11,7	25,4	26,2	1,8	M10	500
DF-350	8,9	4,8	12,0	25,4	27,0	1,8	M10	500
DF-420	10,7	6,0	13,7	25,4	27,0	1,8	M12	250
DF-445	11,3	6,1	14,2	25,4	27,0	1,8	M12	250
DF-490	12,5	6,5	15,5	25,4	25,4	2,0	M14	250



WASHER PLUG

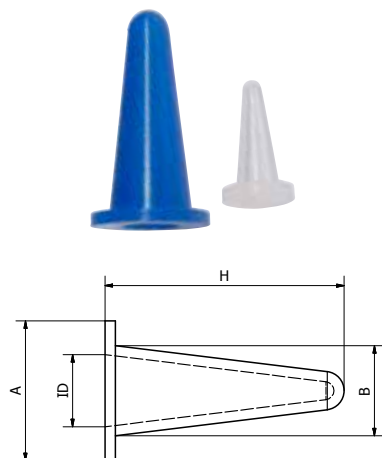
A washer plug for two different holes with a flange that protects the area outside the hole.

Art.No.	Amm	Bmm	Cmm	Dmm	Emm	Fmm	Pcs/box
WP-103	3,3	2,6	7,2	5,8	6,4	5,0	1000
WP- M3	3,7	2,8	7,4	5,8	7,0	5,0	1000
WP-130	5,3	3,3	10,0	7,5	12,7	5,0	1000
WP-130-250-200	5,1	3,3	12,7	12,7	6,4	5,0	1000
WP-130-312-180	4,6	3,3	12,7	12,7	7,9	5,0	1000
WP-130-375-140	3,6	3,3	12,7	12,7	9,5	5,0	1000
WP-130-500-375	9,5	3,3	12,7	12,7	12,7	4,8	1000
WP-140-500-180	4,6	3,6	12,7	12,7	12,7	4,8	1000
WP-142	4,6	3,6	12,7	12,7	7,9	5,0	1000
WP-142-250-180	4,6	3,6	12,7	12,7	6,4	4,8	1000
WP- M4	4,7	3,6	9,4	7,2	9,0	5,0	1000
WP-155-250-200	5,1	3,9	12,7	12,7	6,4	4,0	1000
WP-155-312-238	6,1	3,9	12,7	12,7	7,9	5,0	1000
WP-155-375-238	6,0	3,9	12,7	12,7	9,5	4,8	1000
WP- M5	5,7	4,5	11,4	9,0	9,5	5,0	1000
WP-180-250-180	4,6	4,6	12,7	12,7	6,4	4,8	1000
WP-180-250-238	6,1	4,6	12,7	12,7	6,4	5,0	1000
WP-180-275-200	5,1	4,6	12,7	12,7	7,0	4,8	1000
WP-180-350-225	5,7	4,6	12,7	12,7	8,9	4,8	1000
WP-180-375-250	6,4	4,6	12,7	12,7	9,5	4,8	1000
WP-180-500-200	5,1	4,6	12,7	12,7	12,7	4,8	1000
WP-200-312	6,0	5,1	12,7	12,7	7,9	5,0	500
WP-200-500-238	6,1	5,1	13,3	13,3	12,7	4,8	500
WP-200	7,0	5,1	13,4	10,6	9,5	5,0	500
WP-209	7,0	5,3	12,7	12,7	9,5	5,0	500
WP- M6	6,7	5,3	13,4	10,6	12,5	5,0	500
WP-250-375-250	6,4	6,4	12,7	12,7	9,5	5,0	500
WP-265-1180-765	19,4	6,7	12,7	12,7	30,0	5,0	500
WP-275	9,5	7,0	17,8	12,7	9,5	0,0	500
WP-275-500-375	9,5	7,0	12,7	12,7	12,7	5,1	500
WP- M8	8,7	7,1	17,4	14,2	17,0	5,0	500
WP-331	8,4	8,4	12,7	12,7	20,0	5,0	500
WP-346	10,5	8,8	12,7	12,7	15,9	5,0	500
WP-375-500-455	11,6	9,5	12,7	12,7	12,7	5,0	500
WP-375-787-512	13,0	9,5	12,7	12,7	20,0	5,0	500
WP-375-1100-455	11,6	9,5	12,7	12,7	27,9	5,0	500
WP- M10	10,7	9,6	21,4	19,2	21,0	5,0	500
WP- M12	12,7	10,9	25,4	21,8	24,0	5,0	500
WP-551	17,5	14,0	12,7	12,7	20,0	5,0	500



PROTOTYPE MANUFACTURE WITH EFFECTIVE 3D PRINTER!

Our 3D printer offers an effective prototype manufacture process where we can produce prototype models, for testing size and shape for example, quickly and easily.



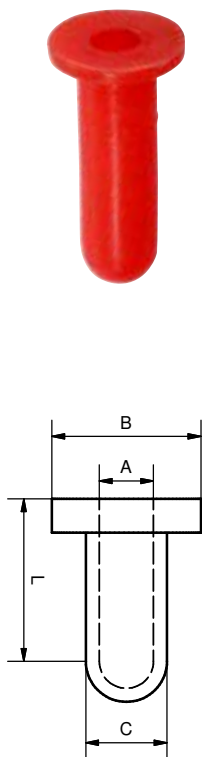
CONICAL FLANGE PLUG

Conical flange plug that protects the entry thread.

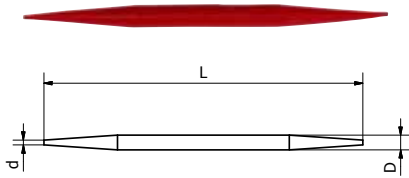
Art.No.	Amm	Bmm	Hmm	IDmm	Pcs/box
KF-250-130	12,7	6,4	23,0	3,3	500
KF-316-216	12,7	8,0	25,4	5,5	500
KF-335-177	15,9	8,5	25,4	4,5	500
KF-394-197	16,5	10,0	28,0	5,0	500
KF-400-230	16,1	10,2	27,9	5,8	500
KF-551-315	19,1	14,0	36,0	8,0	250
KF-689-453	24,9	17,5	38,1	11,5	250
KF-767-532	27,9	19,5	51,0	13,5	100
KF-819-583	25,4	20,8	49,0	14,8	100
KF-866-630	31,0	22,0	53,0	16,0	100

FLANGE CAP

Flange cap for holes that also have a flange to protect the surface around the entry hole.



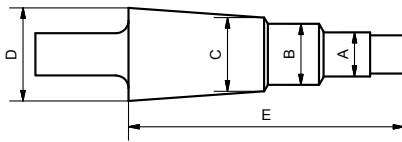
Art.No.	Amm	Bmm	Cmm	Lmm	Pcs/box
FH-100-500	2,5	12,7	5,7	25,4	1000
FH-106-472	2,7	12,0	6,2	25,4	1000
FH-125-500	3,2	12,7	6,4	25,4	1000
FH-140-500	3,6	12,7	8,2	25,4	1000
FH-146-472	3,7	12,0	6,6	25,4	1000
FH-156-500	4,0	12,7	8,0	25,4	1000
FH-172-500	4,4	12,7	9,7	25,4	1000
FH-180-600	4,6	15,2	8,0	25,4	1000
FH-220-590	5,6	15,0	9,1	25,4	1000
FH-220-787	5,6	20,0	8,7	25,4	1000
FH-240-500	6,1	12,7	9,1	25,4	1000
FH-295-500	7,5	12,7	10,5	25,4	1000
FH-295-700	7,5	17,8	10,5	25,4	1000
FH-295-1000	7,5	25,4	10,5	25,4	1000
FH-300-675	7,6	17,2	10,6	25,4	1000
FH-375-825	9,5	21,0	13,0	38,1	1000
FH-453-984	11,5	25,0	16,5	38,1	500
FH-460-700	11,7	17,8	14,5	25,4	500
FH-500-1000	12,7	25,4	15,4	25,4	500
FH-615-1180	15,6	30,0	20,7	38,1	500
FH-750-1250	19,1	31,8	22,1	38,1	500
FH-780-1475	19,8	37,5	24,7	25,4	500



NEEDLE MASK

For masking small holes.

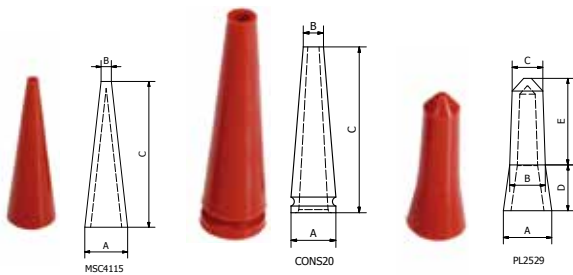
Art.No.	Dmm	d mm	Lmm	Pcs/box
NM-79	2,0	0,6	33,8	1000
NM-80	2,0	0,6	52,8	1000
NM-83	2,1	0,8	49,0	1000
NM-100	2,5	0,8	52,8	1000
NM-125	3,2	0,6	50,8	1000



STEP PLUG

Conical plug with handles that fits four different dimensions.

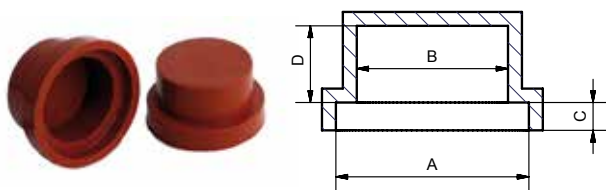
Art.No.	Amm	Bmm	Cmm	Dmm	Emm	Pcs/box
SPC5-10	5,2	7	8,7	10,5	31	1000
SPC5-14	7,2	9	10,7	12,5	33	500



MSC, CONS, PL

Hollow conical plugs for different hole lengths.

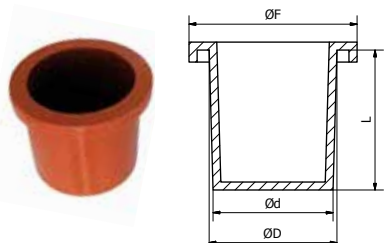
Art.No.	Amm	Bmm	Cmm	Dmm	Emm	Pcs/box
MSC4115	14,7	3,5	50			500
CONS20	20	9	73			200
PL2529	9,5	7	6	9	17	250



PIPE PLUG

Mask for pipes.

Art.No.	Amm	Bmm	Cmm	Dmm	Pcs/box
WC21, 9x28	27,7	21,7	4,0	11,0	250

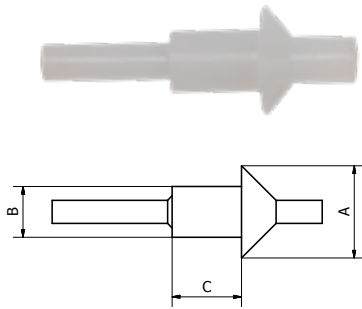


CAP WITH A FLAT TOP

Cap with a flat top for threaded or smooth axles.

Art.No.	dmm	Dmm	Fmm	Lmm	Pcs/box
RPF-0197	5,00	5,00	11,00	10,80	1000
RPF-0276	7,00	7,00	13,00	12,50	1000
RPF-0311	7,42	7,90	15,94	24,20	500
RPF-0354	9,00	9,00	15,00	12,50	500
RPF-0373	9,49	9,49	12,60	18,90	500
RPF-0394	5,00	10,00	12,00	12,50	500
RPF-0465	10,68	11,81	17,79	22,30	500
RPF-0472S	12,00	12,00	13,00	11,00	500
RPF-0472	12,00	12,00	20,00	12,50	500
RPF-0492	10,50	12,50	20,00	10,00	500
RPF-0539	13,08	13,70	22,44	30,60	500
RPF-0591	15,00	15,00	23,00	12,50	250
RPF-0650	15,00	16,50	25,00	11,50	250
RPF-0673	16,38	17,11	25,84	30,60	250
RPF-0681	15,20	17,30	43,01	15,00	250
RPF-0673	16,38	17,11	25,84	13,79	250
RPF-0681	15,20	17,30	43,01	13,59	250

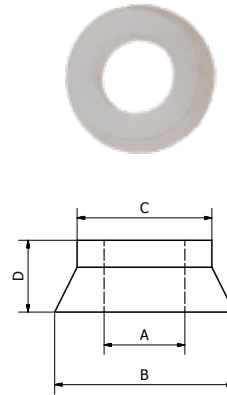
Art.No.	dmm	Dmm	Fmm	Lmm	Pcs/box
RPF-0787	20,00	20,00	30,00	12,80	250
RPF-0827	21,00	21,00	31,00	12,50	250
RPF-0833	21,17	21,17	25,24	7,80	250
RPF-0846	18,50	21,50	31,00	12,00	250
RPF-0858	20,93	21,80	32,28	36,80	250
RPF-1063	24,00	27,00	38,00	14,00	100
RPF-1142	29,00	29,00	50,00	21,00	100
RPF-1158	28,20	29,42	36,83	39,40	100
RPF-1189	30,20	30,20	36,20	11,00	100
RPF-1231	31,26	31,26	40,97	29,80	100
RPF-1277	23,98	32,43	39,03	30,00	100
RPF-1299	30,00	33,00	30,00	18,00	100
RPF-1319	29,51	33,50	40,00	29,10	100
RPF-1349	33,01	34,27	43,18	42,90	100
RPF-1437	34,00	36,50	36,50	12,00	100
RPF-1452	29,13	36,89	52,82	28,40	100
RPF-1496	30,50	38,00	48,00	31,50	100
RPF-1510	30,39	38,35	44,47	29,10	100
RPF-1575	36,00	40,00	50,00	26,40	50
RPF-1644	36,14	41,75	52,04	28,80	50
RPF-1854	45,73	47,09	55,88	42,90	50
RPF-1885	47,88	47,88	55,00	16,00	50
RPF-2134	54,20	54,20	48,00	17,50	50
RPF-3425	86,99	86,99	120,00	13,70	25
RPF-4426	112,43	112,43	145,05	13,70	25
RPF-5354	136,00	136,00	182,00	29,50	25
RPF-5905	149,00	149,00	163,00	22,00	25
RPF-5905	149,00	149,00	163,00	143,00	25



PULL PLUG WITH A CAP

Pull plug with a cap to protect the entry thread.

Art.No.	A mm	B mm	C mm	Pcs/box
DMH-M3	10,0	2,9	15,0	1000
DMH-M4	10,0	3,8	15,0	1000
DMH-M5	12,0	4,5	15,0	1000
DMH-M6	14,0	5,5	15,0	1000
DMH-M8	16,0	7,4	15,0	1000
DMH-M10	18,0	9,2	15,0	500
DMH-M12	20,0	11,0	15,0	500
DMH-M14	22,0	12,8	15,0	100
DMH-M16	24,0	14,9	15,0	100
DMH-M18	26,0	16,3	20,0	50
DMH-M20	28,0	18,4	20,0	50



WASHER

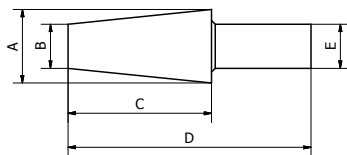
A washer that is combined with a pull plug with a cap. For masking two sides.

Art.No.	A mm	B mm	C mm	D mm	Pcs/box
Washer-M3	2,60	10,00	5,50	3,40	1000
Washer-M4	3,40	10,00	7,00	3,40	1000
Washer-M5	4,10	12,00	8,00	4,50	1000
Washer-M6	5,00	14,00	10,00	4,60	1000
Washer-M8	6,70	16,00	13,00	5,70	1000
Washer-M10	8,20	18,00	16,00	5,80	1000
Washer-M12	10,00	20,00	18,00	5,80	500
Washer-M14	11,60	22,00	20,00	6,80	500
Washer-M16	13,70	24,00	22,00	6,80	500
Washer-M18	15,10	26,00	24,00	6,90	250
Washer-M20	17,20	28,00	26,00	6,90	250

CONICAL PLUG WITH HANDLE



A conical plug with a handle for masking threaded or smooth holes. The handle makes removal easier.

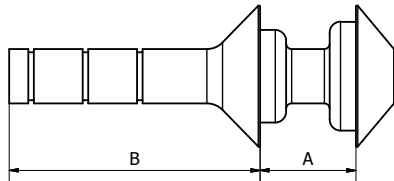


Art.No.	A mm	B mm	C mm	D mm	E mm	Fits	Pcs/box
KPH-125-H	3,2	0,8	15,9	25,4	3,2	M3	1000
KPH-125-625-H	3,2	1,6	15,9	25,4	3,2	M4	1000
KPH-187-625-H	4,8	1,6	15,9	25,4	3,2	M5	1000
KPH-250-750-H	6,4	3,2	19,1	31,8	3,2	M6	1000
KPH-343-625-H	8,7	4,8	15,9	28,6	4,8	M8	1000
KPH-375-750-H	9,5	6,4	19,1	31,8	6,4	M10	1000

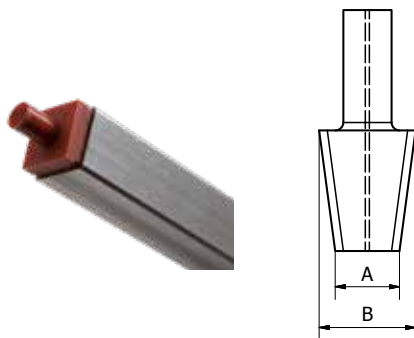


DOUBLE WASHER NUT PLUG

Nut mask for welding nuts. Double washer nut plug that covers both sides of the nut.



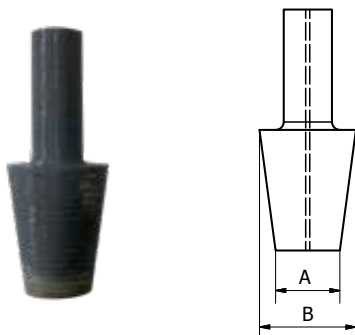
Art.No.	A mm	B mm	Pcs/box
MM-M3	2,9	10	1000
MM-M4	2,9	12	1000
MM-M5	3,7	13	1000
MM-M6	4,7	15	1000
MM-M8	6,1	16	1000
MM-M10	7,6	17	1000
MM-M12	9,6	18	1000
MM-M14	10,6	20	500
MM-M16	12,3	22	500



PLUG FOR SQUARE PIPE

The plug is available in different sizes.

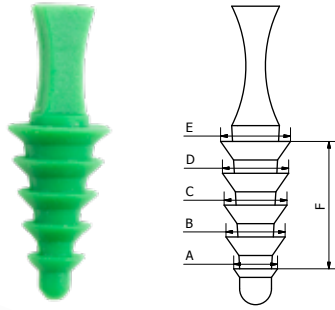
Art.No.	Amm	Bmm	Fits	Pcs/box
PFFR-1	8	12	10x10	250
PFFR-2	13	17	15x15	250
PFFR-3	17	22	20x20	100
PFFR-4	22	27	25x25	100



PLUG FOR ROUND PIPE

Masking for magnet system.

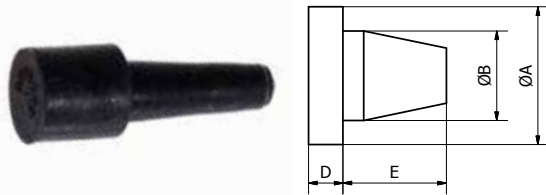
Art.No.	Amm	Bmm	Fits	Pcs/box
PFFR-1	8	12	10	250
PFFR-2	13	17	15	250
PFFR-3	17	22	20	100
PFFR-4	22	27	25	100



PLUG WITH FLANGE

Plug with a flange that protects the entry thread.

Art.No.	A mm	B mm	C mm	D mm	E mm	F mm	Pcs/box
PMF-4	4	6	8	10	12	13,7	1000
PMF-8	8	10	12	14	16	23	500
PMF-10	10	12	14	16	18	22,7	250

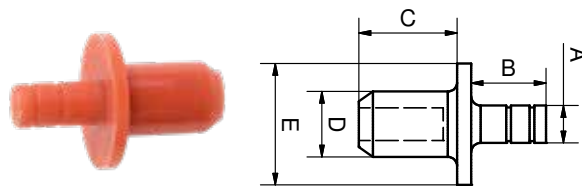


PLUG WITH CIRCULAR MASK

Plug with a circular mask for holes.
Larger head for easier removal.

Art.No.	A mm	B mm	D mm	E mm	Pcs/box
PMC-M4	8,0	5,0	8,0	14,0	500
PMC-311	7,9	5,1	4,9	12,7	500
PMC-201	11,0	5,1	4,7	9,8	500
PMC-M5	9,0	6,0	9,0	16,0	500
PMC-244	8,9	6,2	5,0	12,7	500
PMC-256	10,0	6,5	4,9	12,7	500
PMC-M6	10,2	6,4	10,2	17,6	500
PMC-M8	12,4	8,2	9,8	17,3	500
PMC-327	12,6	8,3	5,0	12,7	500
PMC-476	16,0	12,1	5,3	12,8	500

Art.No.	A mm	B mm	D mm	E mm	Pcs/box
PMC-M3	7,0	3,0	7,0	13,0	500
PMC-118	7,0	3,0	4,9	12,7	500

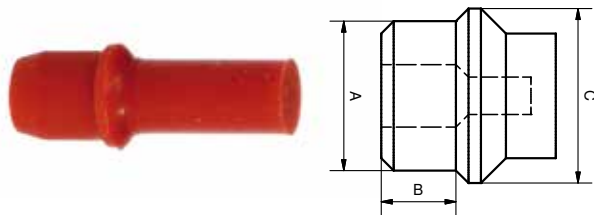


SILICONE FLANGE PLUG

Nut mask that also protects the flat surface.

Art.No.	A mm	B mm	C mm	D mm	E mm	Pcs/box
SFP9	6	12	11	9	15	1000
SFP10	7	15	11	10	16	1000
SFP11	8	15	11	11	17	500
SFP12	9	15	11	12	20	500
SFP13	10	15	13	13	21	500
SFP14	11	15	13	14	22	500
SFP15	12	15	13	15	23	500
SFP16	13	18	13	16	24	250
SFP17	14	18	13	17	27	250
SFP18	15	18	13	18	28	200
SFP19	16	18	13	19	29	200
SFP20	17	18	13	20	30	200

Art.No.	A mm	B mm	C mm	D mm	E mm	Pcs/box
SFP5	4	8	11	5	11	1000
SFP6	4	8	11	6	12	1000
SFP7	4	8	11	7	13	1000
SFP8	5	12	11	8	14	1000

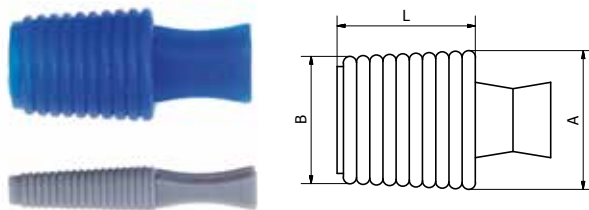


PLUG MASKS

Cylindrical plug with a handle and flange to protect the entry thread. For threaded or smooth holes.

Art.No.	A mm	B mm	C mm	Fits	Pcs/box
PIG-138	3,5	5,3	3,5	M3	1000
PIG-161	4,1	5,8	4,1	M4	1000
PIG-207	5,3	5,6	5,3	M5	1000
PIG-208	5,3	7,5	6,3		500
PIG-210	5,3	5,1	6,4		500
PIG-218	5,5	5,1	6,6	M6	500

Art.No.	A mm	B mm	C mm	Fits	Pcs/box
PIG-218L	5,5	7,1	6,6	M6	500
PIG-278	7,1	5,1	8,1		500
PIG-278L	7,1	7,1	8,1		500
PIG-283	7,2	5,1	8,5	M8	500
PIG-283L	7,2	7,5	8,4	M8	500
PIG-336	8,5	6,4	9,8		500
PIG-336L	8,5	8,4	9,8		500
PIG-358	9,1	6,1	10,4	M10	250
PIG-358L	9,1	7,0	10,4	M10	250
PIG-394	10,0	8,9	11,4		250
PIG-426	10,8	8,8	12,4		250
PIG-451	11,5	8,9	13,0	M12	250
PIG-477	12,1	7,6	14,0		250
PIG-510	13,0	7,6	14,0	M14	250
PIG-583	14,8	10,4	17,0		100
PIG-643	16,3	9,5	18,6		100
PIG-724	18,4	13,0	20,6		100
PIG-825	21,0	9,5	23,2		100
PIG-840	21,3	13,6	23,9		100
PIG-896	22,8	16,0	24,1		100

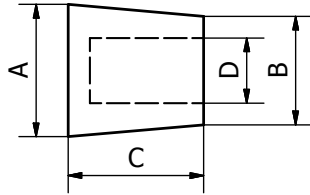


THREADED PLUG

Threaded plug with flanges to protect the entry thread.

Art.No.	A mm	B mm	L mm	Pcs/box
GP-157-079	4,0	2,0	19,0	500
GP-236-157	6,0	4,0	25,4	500
GP-315-236	8,0	6,0	25,4	500
GP-394-315	10,0	8,0	25,4	500
GP-406-313	10,3	8,0	25,4	250

Art.No.	A mm	B mm	L mm	Pcs/box
GP-468-406	11,9	10,3	25,4	250
GP-472-394	12,0	10,0	25,4	250
GP-551-472	14,0	12,0	25,4	250
GP-562-468	14,3	11,9	25,4	250
GP-625-562	15,9	14,3	25,4	250
GP-630-551	16,0	14,0	25,4	250
GP-709-630	18,0	16,0	25,4	100
GP-718-625	18,2	15,9	25,4	100
GP-750-718	19,1	18,2	25,4	100
GP-787-709	20,0	18,0	25,4	100
GP-875-750	22,2	19,1	25,4	100
GP-886-787	22,5	20,0	25,4	50
GP-945-886	24,0	22,5	25,4	50
GP-1000-875	25,4	22,2	25,4	50
GP-1024-945	26,0	24,0	25,4	50
GP-1102-1024	28,0	26,0	25,4	50
GP-1125-1000	28,6	25,4	25,4	50
GP-1250-1125	31,8	28,6	25,4	50

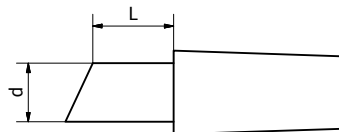


HOLLOW SILICONE PLUG

Hollow silicone plug for threaded or smooth holes.

Art.No.	A mm	B mm	C mm	D mm	Pcs/box
ISP-1063	27,0	23,0	25,4	10,3	100
ISP-1100	27,9	24,0	25,4	11,7	100
ISP-1181	30,0	27,8	25,4	14,5	100
ISP-1260	32,0	26,2	25,4	13,5	100
ISP-1338	34,0	27,0	25,4	17,0	100
ISP-1345	34,2	30,9	25,4	15,4	100
ISP-1357	34,5	28,7	25,4	15,5	100
ISP-1438	36,5	30,2	25,4	13,6	100
ISP-1456	37,0	30,0	25,4	19,9	100
ISP-1500	38,1	30,2	25,4	17,3	100
ISP-1535	39,0	31,0	25,4	21,8	100
ISP-1614	41,0	33,0	25,4	25,0	100

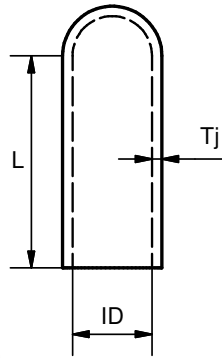
Art.No.	A mm	B mm	C mm	D mm	Pcs/box
ISP-1625	41,3	33,4	25,4	20,7	100
ISP-1693	43,0	36,0	25,4	22,9	50
ISP-1750	44,5	37,3	25,4	24,6	50
ISP-1772	45,0	37,0	25,4	28,7	50
ISP-1810	46,0	38,0	25,4	25,3	50
ISP-1968	50,0	42,0	25,4	27,9	50
ISP-2086	53,0	45,0	25,4	30,5	25
ISP-2203	56,0	48,0	25,4	35,3	25
ISP-2469	62,7	50,0	25,4	31,8	25
ISP-2480	63,0	50,0	25,4	31,8	25
ISP-2500	63,5	54,0	25,4	34,9	25
ISP-2520	64,0	54,0	25,4	34,9	25
ISP-2677	68,0	58,0	25,4	51,0	25
ISP-2688	68,3	57,9	25,4	38,9	25
ISP-2953	75,0	61,9	25,4	42,9	25
ISP-2953-1375	75,0	61,9	34,9	42,9	25
ISP-3010	76,5	72,6	25,4	53,6	10
ISP-3228-1500	82,0	68,0	38,1	42,6	10
ISP-3500-1500	88,9	76,2	38,1	50,8	10
ISP-3543	90,0	75,0	25,4	49,6	10
ISP-3543-1535	90,0	75,0	39,0	62,5	10
ISP-4000-1500	101,6	82,6	38,1	57,2	10
ISP-4055-1535	103,0	83,0	39,0	72,4	10
ISP-5000-2000	127,0	88,9	50,8	63,5	5



CYLINDRICAL THREADED PLUG

Cylindrical threaded plug with a cover for the entry thread.

Art.No.	d mm	L mm	Pcs/box
CGP-M3	2,5	5,0	1000
CGP-M4	3,4	6,7	1000
CGP-M5	4,3	7,5	1000
CGP-M6	5,1	7,5	1000
CGP-M8	6,9	10,0	1000
CGP-M10	8,5	13,0	500
CGP-M12	10,5	14,5	250



SILICONE CAP

Cap for masking threaded or smooth axles.

Art.No.	ID mm	Tj mm	L mm	Fits	Pcs/box
SH-20-500	0,5	1,5	12,7		1000
SH-35-500	0,9	1,3	12,7		1000
SH-40-500	1,0	1,2	12,7		1000
SH-40-750	1,0	1,2	19,1		1000
SH-62-500	1,6	1,2	12,7		1000
SH-62-750	1,6	1,1	19,1		1000
SH-62-1000	1,6	1,4	25,4		1000
SH-70-1000	1,8	1,2	25,4		1000
SH-80-750	2,0	1,5	19,1		1000
SH-93-500	2,4	1,3	12,7		1000
SH-93-750	2,4	1,5	19,1		1000
SH-93-1000	2,4	1,5	25,4		1000
SH-100-500	2,5	1,5	12,7		1000
SH-100-1000	2,5	1,5	25,4		1000
SH-109-500	2,8	1,5	12,7	M3	1000
SH-109-750	2,8	1,5	19,1		1000
SH-109-1000	2,8	1,5	25,4		1000
SH-120-250	3,1	1,3	6,4		1000
SH-120-400	3,1	1,3	10,2		1000
SH-125-500	3,2	1,5	12,7		1000
SH-125-750	3,2	1,5	19,1		1000
SH-125-1000	3,2	1,5	25,4		1000
SH-125-1500	3,2	1,5	38,1		1000
SH-135-625	3,4	1,5	15,9		1000
SH-137-500	3,5	1,5	12,7		1000
SH-137-1000	3,5	1,5	25,4		1000
SH-140-500	3,6	1,5	12,7		1000
SH-140-1000	3,6	1,5	25,4		1000
SH-140-1500	3,6	1,5	38,1		1000

Art.No.	ID mm	Tj mm	L mm	Fits	Pcs/box
SH-148-500	3,8	1,5	12,7	M4	1000
SH-148-750	3,8	1,5	19,1		1000
SH-148-1000	3,8	1,5	25,4		1000
SH-156-500	4,0	1,5	12,7		1000
SH-156-1000	4,0	1,5	25,4		1000
SH-156-1250	4,0	1,5	31,8		1000
SH-156-1500	4,0	1,5	38,1		1000
SH-165-1000	4,2	1,5	25,4		1000
SH-165-1500	4,2	1,5	38,1		1000
SH-172-500	4,4	1,5	12,7		1000
SH-172-1000	4,4	1,5	25,4		1000
SH-172-1500	4,4	1,5	38,1		1000
SH-180-1000	4,6	1,5	25,4		1000
SH-187-500	4,8	1,5	12,7	M5	1000
SH-187-750	4,8	1,5	19,1		1000
SH-187-1000	4,8	1,5	25,4		1000
SH-187-1500	4,8	1,5	38,1		1000
SH-197-500	5,0	1,5	12,7		1000
SH-197-1000	5,0	1,5	25,4		1000
SH-218-1000	5,5	1,5	25,4		1000
SH-223-500	5,7	1,5	12,7	M6	1000
SH-223-750	5,7	1,5	19,1		1000
SH-223-1000	5,7	1,5	25,4		1000
SH-223-1500	5,7	1,5	38,1		1000
SH-223-2165	5,7	1,5	55,0		1000
SH-234-500	5,9	1,5	12,7		1000
SH-234-787	5,9	1,5	20,0		1000
SH-234-1000	5,9	1,5	25,4		1000
SH-234-1250	5,9	1,5	31,8		1000
SH-234-1500	5,9	1,5	38,1		1000
SH-250-500	6,4	1,5	12,7		1000
SH-250-1000	6,4	1,5	25,4		1000
SH-250-1500	6,4	1,5	38,1		1000
SH-260-500	6,6	1,5	12,7		1000
SH-260-1000	6,6	1,5	25,4		1000
SH-281-500	7,1	1,5	12,7		1000
SH-281-750	7,1	1,5	19,1		1000
SH-281-1000	7,1	1,5	25,4		1000
SH-281-2000	7,1	1,5	50,8		1000
SH-295-500	7,5	1,5	12,7	M8	1000
SH-295-750	7,5	1,5	19,1		1000
SH-295-1000	7,5	1,5	25,4		1000
SH-295-1500	7,5	1,5	38,1		1000
SH-303-1000	7,7	1,7	25,4		1000

Art.No.	ID mm	Tj mm	L mm	Fits	Pcs/box
SH-312-500	7,9	1,5	12,7		1000
SH-312-1000	7,9	1,5	25,4		1000
SH-312-1500	7,9	1,5	38,1		1000
SH-340-1000	8,6	1,5	25,4		500
SH-340-1500	8,6	1,5	38,1		500
SH-340-2000	8,6	1,5	50,8		500
SH-355-1000	9,0	1,5	25,4		500
SH-355-1500	9,0	1,5	38,1		500
SH-366-1000	9,3	1,5	25,4		500
SH-366-1500	9,3	1,5	38,1		500
SH-375-500	9,5	1,5	12,7	M10	500
SH-375-750	9,5	1,5	19,1		500
SH-375-1000	9,5	1,5	25,4		500
SH-375-1500	9,5	1,5	38,1		500
SH-375-1969	9,5	1,5	50,0		500
SH-406-1000	10,3	1,5	25,4		500
SH-406-1500	10,3	1,5	38,1		500
SH-437-1000	11,1	1,5	25,4		500
SH-437-2000	11,1	1,5	50,8		500
SH-456-500	11,6	1,5	12,7	M12	500
SH-456-750	11,6	1,5	19,1		500
SH-456-1000	11,6	1,5	25,4		500
SH-456-1500	11,6	1,5	38,1		500
SH-456-1969	11,6	1,5	50,0		500
SH-468-1000	11,9	1,5	25,4		500
SH-468-1500	11,9	1,5	38,1		500
SH-475-4000	12,1	1,5	101,6		500
SH-480-1000	12,2	1,5	25,4		500
SH-480-1500	12,2	1,5	38,1		500
SH-500-750	12,7	1,5	19,1		500
SH-500-1500	12,7	1,5	38,1		500
SH-500-3000	12,7	1,5	76,2		500
SH-500-4000	12,7	1,5	101,6		500
SH-535-750	13,6	1,5	19,1	M14	500
SH-535-1000	13,6	1,5	25,4		500
SH-535-1500	13,6	1,5	38,1		500
SH-535-3000	13,6	1,5	76,2		250
SH-562-659	14,3	1,5	16,7		250
SH-562-800	14,3	1,5	20,3		250
SH-562-1100	14,3	1,5	27,9		250
SH-562-1500	14,3	1,5	38,1		250
SH-600-1500	15,2	1,5	38,1		250
SH-625-1125	15,9	1,5	28,6	M16	250
SH-625-1500	15,9	1,5	38,1		250
SH-625-2500	15,9	1,5	63,5		250

Art.No.	ID mm	Tj mm	L mm	Fits	Pcs/box
SH-687-625	17,5	1,5	15,9	M18	250
SH-687-1000	17,5	1,5	25,4		250
SH-687-1250	17,5	1,5	31,8		250
SH-687-1500	17,5	1,5	38,1		250
SH-687-2500	17,5	1,5	63,5		250
SH-730-1500	18,5	1,5	38,1	M20	250
SH-750-1500	19,1	1,5	38,1		250
SH-750-1750	19,1	1,5	44,5		250
SH-750-2000	19,1	1,5	50,8		250
SH-750-3500	19,1	1,5	88,9		250
SH-780-1500	19,8	1,5	38,1		250
SH812-1000	20,6	1,5	25,4		250
SH-812-1500	20,6	1,5	38,1		250
SH-845-2844	21,5	1,5	72,2		250
SH-875-1000	22,2	1,5	25,4		250
SH-875-1500	22,2	1,5	38,1		250
SH-937-1500	23,8	1,5	38,1		100
SH-970-1500	24,6	1,5	38,1		100
SH-970-4000	24,6	1,5	101,6		50
SH-1000-820	25,4	1,5	20,8		100
SH-1000-1500	25,4	1,5	38,1		100
SH-1000-2000	25,4	1,5	50,8		100
SH-1062-1500	27,0	1,5	38,1		100
SH-1062-2000	27,0	1,5	50,8		100
SH-1062-3414	27,0	1,5	86,7		100
SH-1125-1500	28,6	1,5	38,1		100
SH-1187-1500	30,2	1,5	38,1		100
SH-1250-1125	31,8	1,5	28,6		100
SH-1250-1500	31,8	1,5	38,1		100
SH-1350-1500	34,3	1,5	38,1		100
SH-1350-1750	34,3	1,5	44,5		100
SH-1375-1500	34,9	1,5	38,1		100
SH-1380-1000	35,1	1,5	25,4		100
SH-1380-1500	35,1	1,5	38,1		100
SH-1500-1000	38,1	1,5	25,4		100
SH-1500-1500	38,1	1,5	38,1		100
SH-1500-1750	38,1	1,5	44,5		100
SH-1625-2000	41,3	1,5	50,8		50
SH-1750-1500	44,5	1,5	38,1		50
SH-1750-2000	44,5	1,5	50,8		50
SH-1875-1500	47,6	1,5	38,1		50
SH-1875-2000	47,6	1,5	50,8		50
SH-2000-2000	50,8	1,5	50,8		50
SH-2105-2000	53,5	1,5	50,8		50

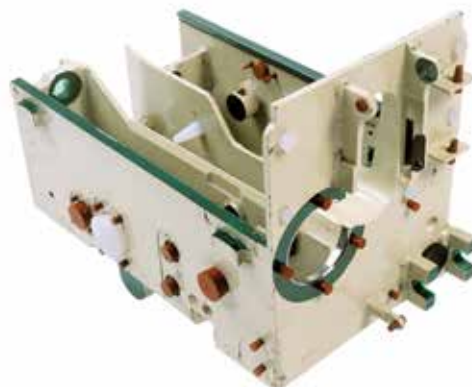


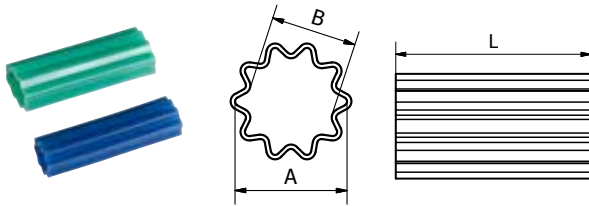
SILICONE TUBE

Silicone tube for internal and external masking of threaded or smooth axes.

Art.No.	ID mm	wall(OD-ID) mm	Metres/roll
SS-0040	1,0	1,6	30,5
SS-0056	1,4	1,6	30,5
SS-0062	1,6	1,6	30,5
SS-0068	1,7	1,6	30,5
SS-0080	2,0	1,6	30,5
SS-0093	2,4	1,6	30,5
SS-0109	2,8	1,6	30,5
SS-0125	3,2	1,6	30,5
SS-0140	3,6	1,6	30,5
SS-0156	4,0	1,6	30,5
SS-0172	4,4	1,6	30,5
SS-0187	4,8	1,6	30,5
SS-0203	5,2	1,6	30,5
SS-0218	5,5	1,6	30,5
SS-0234	5,9	1,6	30,5
SS-0250	6,4	1,6	30,5
SS-0281	7,1	1,6	15,3
SS-0312	7,9	1,6	15,3

Art.No.	ID mm	wall(OD-ID) mm	Metres/roll
SS-0343	8,7	1,6	15,3
SS-0375	9,5	1,6	15,3
SS-0406	10,3	1,6	15,3
SS-0437	11,1	1,6	15,3
SS-0500	12,7	1,6	15,3
SS-0625	15,9	1,6	15,3
SS-0750	19,1	1,6	15,3
SS-0875	22,2	1,6	15,3
SS-0937	23,8	1,6	15,3
SS-1000	25,4	1,6	15,3
SS-1125	28,6	1,6	7,6
SS-1250	31,8	1,6	7,6
SS-1375	34,9	1,6	7,6
SS-1500	38,1	1,6	7,6
SS-1625	41,3	1,6	7,6
SS-1750	44,5	1,6	7,6
SS-1875	47,6	1,6	7,6
SS-2000	50,8	1,6	7,6





UNIVERSAL TUBE – AVAILABLE TO SIZE

Universal tube for external masking of axles. Simple to fit and remove. Available to size and by the metre.

Art.No.	A mm	B mm	L mm	Pcs/box
UNI3X5X25	5	3	25	1000
UNI3X5X50	5	3	50	500
UNI5X7X25	7	5	25	1000
UNI5X7X50	7	5	50	500
UNI7X9X25	9	7	25	1000
UNI7X9X50	9	7	50	500
UNI8X10X25	10	8	25	1000
UNI8X10X50	10	8	50	500
UNI9X11X25	11	9	25	1000
UNI9X11X50	11	9	50	500
UNI10X13X25	13	10	25	1000
UNI10X1350	13	10	50	500
UNI13x16X55	16	13	55	500
UNI16X19X55	19	16	55	250
UNI18X22X55	22	18	55	500
UNI22X25X55	25	22	55	250
UNI25X32X55	32	25	55	250
UNI32X38X55	38	32	55	200
UNI38X44X55	44	38	55	150
UNI44X51X55	51	44	55	100

UNIVERSAL TUBE – FULL ROLL

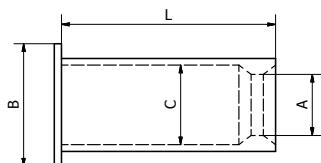
Art.No.	A mm	B mm	Metres/rulle
UNI3X5	5	3	30,5
UNI5X7	7	5	30,5
UNI7X9	9	7	25
UNI8X10	10	8	30,5
UNI9X11	11	9	30,5
UNI10X13	13	10	30,5
UNI13x16	16	13	30,5
UNI16X19	19	16	15,2
UNI18X22	22	18	15,2
UNI22X25	25	22	15,2
UNI25X32	32	25	7,6
UNI32X38	38	32	7,6
UNI38X44	44	38	7,6
UNI44X51	51	44	7,6

TUMBLING MACHINE

A cleaning machine for silicone plugs. The plugs are tumbled. No chemicals are used – just water and stone chips. Environmentally friendly.

Art.No.	Capacity L	Height mm	Width mm	Depth mm	Weight kg	Output kW	Input volt/ampere
MT1 VT	5 eller 11	420	340	340	20	0,2	230/0,9



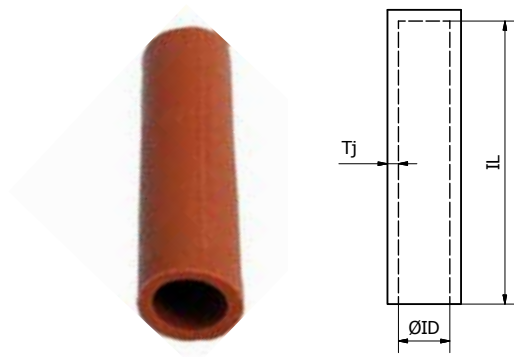


AXLE MASK

Axle mask for threaded or smooth axles with a flange for a better grip when removing.

Art.No.	Amm	Bmm	Cmm	Lmm	Fits	Pcs/box
AM-112-1180	2,8	16,2	6,0	30,0	M3	1000
AM-125-2000	3,2	16,5	6,4	50,8	M4	1000
AM-135-1180	3,4	16,8	6,6	30,0		1000
AM-138-1180	3,5	16,8	6,7	30,0		1000
AM-156-2000	4,0	17,3	7,1	50,8		1000
AM-157-1180	4,0	17,3	7,2	30,0		1000
AM-165-1016	4,2	17,5	7,4	25,8	M5	1000
AM-177-1180	4,5	17,8	7,7	30,0		1000
AM-180-2000	4,6	17,9	7,8	50,8		1000
AM-187-1377	4,8	18,1	7,9	35,0		1000
AM-187-1747	4,8	18,1	7,9	44,4		1000
AM-197-1180	5,0	15,8	9,4	37,0	M6	1000
AM-234-2000	5,9	19,3	9,1	50,8		1000
AM-236-1180	6,0	19,3	9,2	30,0		1000
AM-255-910	6,5	19,8	9,7	23,1		1000
AM-255-1180	6,5	19,8	9,7	30,0		1000
AM-270-1200	6,9	20,2	10,0	30,5		1000
AM-275-1180	7,0	20,3	10,2	30,0	M8	1000
AM-294-1330	7,5	20,8	10,6	33,8		1000
AM-315-974	8,0	21,3	11,2	24,7		1000
AM-315-1180	8,0	21,3	11,2	30,0		1000
AM-315-1425	8,0	21,3	11,2	36,2		1000
AM-320-670	8,1	21,5	11,3	17,0		1000
AM-330-1500	8,4	21,7	11,6	38,1		1000
AM-355-1500	9,0	22,4	12,2	38,1		1000
AM-360-1000	9,1	22,5	12,3	25,4	M10	1000
AM-375-1000	9,5	22,9	12,7	25,4		1000
AM-375-1421	9,5	22,9	12,7	36,1		1000
AM-380-1000	9,7	23,0	12,8	25,4		1000
AM-394-1180	10,0	23,3	13,2	30,0		1000
AM-433-1180	11,0	24,3	14,2	30,0		1000
AM-438-950	11,1	24,5	14,3	24,1	M12	1000
AM-451-1215	11,5	24,8	14,6	30,9		1000

Art.No.	Amm	Bmm	Cmm	Lmm	Fits	Pcs/box
AM-485-500	12,3	25,7	15,5	12,7		500
AM-485-750	12,3	25,7	15,5	19,1		500
AM-485-1013	12,3	25,7	15,5	25,7		500
AM-485-1600	12,3	26,3	16,1	40,6		500
AM-492-1180	12,5	25,8	15,7	30,0		500
AM-531-1180	13,5	26,8	16,7	30,0	M14	500
AM-586-512	14,9	28,2	18,1	13,0		500
AM-587-374	14,9	28,2	18,1	9,5		500
AM-608-493	15,4	28,8	18,6	12,5	M16	500
AM-608-990	15,4	28,8	18,6	25,2	M16	500
AM-608-1180	15,4	28,8	18,6	30,0	M16	500
AM-622-1180	15,8	29,1	19,0	30,0		500
AM-622-1575	15,8	29,1	19,0	40,0		500
AM-687-1180	17,5	30,8	20,6	30,0	M18	500
AM-689-3579	17,5	30,8	20,7	90,9	M18	500
AM-725-3120	18,4	28,6	18,4	85,1		500
AM-850-410	21,6	34,9	24,8	10,4		250
AM-906-3500	23,0	36,4	26,2	88,9		250
AM-963-3000	24,5	37,8	27,6	76,2		250
AM-980-1500	24,9	38,2	28,1	38,1		250
AM-980-1654	24,9	38,0	26,9	42,0		250
AM-1118-540	28,4	41,7	31,6	13,7		250
AM-1125-5000	28,6	41,9	31,8	127,0		250
AM-1230-5000	31,2	44,6	34,4	127,0		250
AM-1240-1760	31,5	44,8	34,7	44,7		250
AM-1288-4128	32,7	46,1	35,9	104,9		250
AM-1567-1517	39,8	53,1	43,0	38,5		250
AM-1850-1850	47,0	53,1	50,2	47,0		250
AM-1921-1575	48,8	62,1	52,0	40,0		250
AM-2244-1811	57,0	70,3	60,2	46,0		100
AM-2250-1920	57,2	70,5	60,3	48,8		100
AM-2500-2420	63,5	76,8	66,7	61,5		100
AM-2660-726	67,6	80,9	70,7	18,4		100
AM-2750-2670	69,9	84,4	74,3	69,6		100
AM-3000-2920	76,2	89,0	79,4	74,2		100
AM-3154-0730	80,1	92,7	83,3	18,5		50
AM-3189-413	81,0	94,3	84,2	10,5		50
AM-3200-996	81,3	94,6	84,5	25,3		50
AM-3248-783	82,5	95,8	85,7	19,9		50
AM-3287-681	83,5	96,8	86,7	17,3		50
AM-3362-256	85,4	98,7	88,6	6,5		20
AM-3425-705	87,0	100,3	90,2	17,9		20
AM-3465-819	88,0	101,4	91,2	20,8		20
AM-3500-3420	88,9	102,2	92,1	86,9		20
AM-3622-661	92,0	105,3	95,2	16,8		20

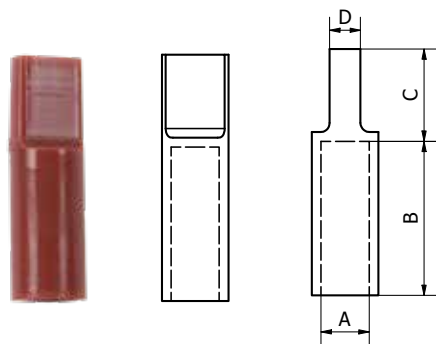


CAP WITH A FLAT TOP

Cap with a flat top for threaded or smooth axles.

Art.No.	IDmm	ILmm	Tjmm	Fits	Pcs/box
HPT-0063x079	1,60	2,00	0,70		1000
HPT-0070x100	1,78	25,40	1,52		1000
HPT-0100X100	2,54	25,40	1,27	M3	1000
HPT-0100x112	2,54	28,45	1,52	M3	1000
HPT-0120x025	3,05	6,35	1,27		1000
HPT-0120x040	3,05	10,16	1,27		1000
HPT-0120x100	3,05	25,40	1,27		1000
HPT-0145x112	3,68	28,45	1,52		1000
HPT-0148X100	3,76	25,40	1,40	M4	1000
HPT-0172x080	4,37	20,32	1,52		1000
HPT-0175x100	4,45	25,40	1,40		1000
HPT-0185x112	4,70	28,45	1,52	M5	1000
HPT-0217x110	5,51	27,94	1,73		1000
HPT-0220x112	5,59	28,45	1,52		1000
HPT-0220x165	5,59	41,91	1,52		1000
HPT-0223X150	5,66	38,10	1,52	M6	1000
HPT-0233X150	5,92	38,10	1,40		1000
HPT-0234x150	5,94	38,10	1,52		1000

Art.No.	ID mm	IL mm	Tjmm	Fits	Pcs/box
HPT-0295x025	7,49	6,35	1,52	M8	1000
HPT-0295x150	7,49	38,10	1,40	M8	1000
HPT-0300x112	7,62	28,45	1,52		1000
HPT-0300x165	7,62	41,91	1,52		1000
HPT-0307x075	7,80	19,05	1,30		1000
HPT-0340x088	8,64	22,23	2,29		500
HPT-0355X150	9,02	38,10	1,47		500
HPT-0375x112	9,53	28,45	1,52	M10	500
HPT-0375X150	9,53	38,10	1,40	M10	500
HPT-0393x073	9,98	18,49	1,52		500
HPT-0415x150	10,54	38,10	1,45		500
HPT-0437x100	11,10	25,40	1,52		500
HPT-0440x073	11,18	18,49	1,52		500
HPT-0456X150	11,58	38,10	1,70	M12	500
HPT-0480x150	12,19	38,10	1,40		500
HPT-0535X150	13,59	38,10	1,78	M14	500
HPT-0562x150	14,27	38,10	1,52		250
HPT-0590x071	14,99	17,98	1,52		250
HPT-0600X150	15,24	38,10	1,40		250
HPT-0640x090	16,26	22,86	1,52		250
HPT-0640x200	16,26	50,80	1,52		250
HPT-0665X073	16,89	18,59	1,52		250
HPT-0687x033	17,45	8,38	1,52		250
HPT-0687x038	17,45	9,65	1,52		250
HPT-0722x456	18,34	115,70	1,52		250
HPT-0728x045	18,49	11,48	1,52		250
HPT-0730x150	18,54	38,10	1,52		250
HPT-0730X400	18,54	101,60	1,52		250
HPT-0763x073	18,69	18,49	1,52		250
HPT-0811x073	20,60	18,49	1,52		250
HPT-0855X150	21,72	38,10	1,78		250
HPT-0921X073	23,39	18,49	1,52		100
HPT-0970X400	24,64	101,60	1,52		50
HPT-0980X150	24,89	38,10	1,52		100
HPT-1000x065	25,40	16,51	1,52		100
HPT-1291x091	32,79	22,99	1,52		100
HPT-1500x6024	38,10	153,01	1,52		100
HPT-1555x110	39,50	27,99	1,52		100
HPT-1649x110	41,88	27,99	1,52		50
HPT-2362x2556	59,99	64,92	5,00		50
HPT-3563x039	90,50	9,98	5,00		50
HPT-3740x1575	95,00	40,01	3,99		50



CAP WITH A HANDLE

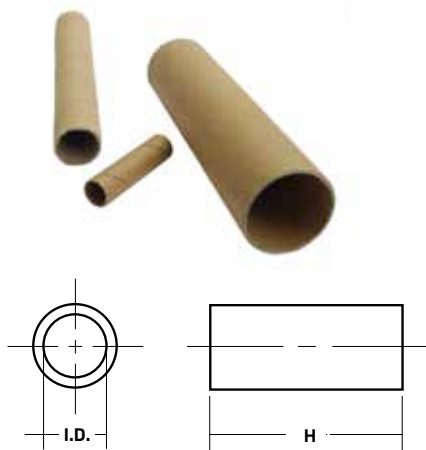
A cap with a handle and a flat top to maintain the exact dimensions when masking lengthways.

Art.No.	Amm	Bmm	Cmm	Dmm	Pcs/box
HMH-5,5X13	5,50	13,00	15,00	5,00	1000,00
HMH-5,5X16	5,50	16,00	15,00	5,00	1000,00
HMH-5,5X19	5,50	19,00	15,00	5,00	1000,00
HMH-5,6X16,5	5,60	16,50	15,00	5,00	1000,00
HMH-6X13	6,00	13,00	10,00	5,00	1000,00
HMH-6X25	6,00	25,00	15,00	5,00	1000,00

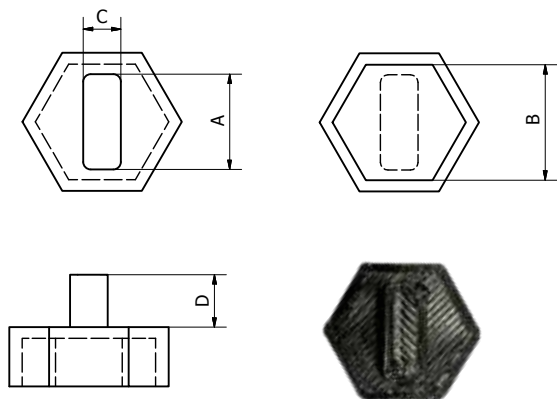
Art.No.	Amm	Bmm	Cmm	Dmm	Pcs/box
HMH-7,1X20	7,10	20,00	15,00	5,00	500,00
HMH-7,1X25	7,10	25,00	15,00	5,00	500,00
HMH-7,5X40	7,50	40,00	15,00	5,00	500,00
HMH-7,6X10	7,60	10,00	15,00	5,00	1000,00
HMH-7,6X14	7,60	14,00	15,00	5,00	500,00
HMH-7,6X40	7,60	40,00	15,00	5,00	500,00
HMH-7,8X13	7,80	13,00	15,00	5,00	1000,00
HMH-7,8X20	7,80	20,00	15,00	5,00	500,00
HMH-7,8X25	7,80	25,00	15,00	5,00	500,00
HMH-9,6X16,3	9,60	16,30	15,00	5,00	500,00
HMH-9,6X17	9,60	17,00	15,00	5,00	500,00
HMH-11,5X17	11,50	17,00	15,00	5,00	500,00
HMH-11,65X44,7	11,65	44,70	15,00	5,00	500,00
HMH-11,6X30	11,60	30,00	15,00	6,00	500,00
HMH-12,6X30	12,60	30,00	15,00	6,00	500,00
HMH-15X12	15,00	12,00	15,00	6,00	250,00
HMH-15,2X12	15,20	12,00	15,00	6,00	250,00
HMH-15,9X19	15,90	19,00	15,00	6,00	250,00
HMH-15,9X25	15,90	25,00	15,00	6,00	250,00
HMH-15,9X28	15,90	28,00	15,00	6,00	250,00
HMH-18,7X25	18,70	25,00	15,00	6,00	250,00

CARDBOARD MASK

Cardboard mask for threaded axles.



Art.No.	I.D. mm	H mm
TU-M5	5	25
TU-M6	6	35
TU-M8	8	35
TU-M10	10	40
TU-M12	12	40
TU-M16	16	40
TU-M20	20	50
TU-M24	24	50
TU-M5	5	50
TU-M6	6	70
TU-M8	8	70
TU-M10	10	80
TU-M12	12	80
TU-M16	16	80
TU-M20	20	100
TU-M24	24	100

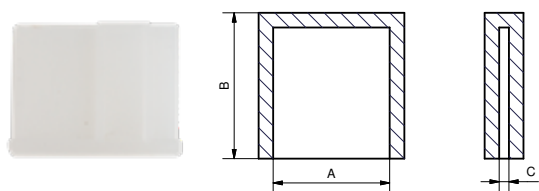


SCREW HEAD MASKING

Art.No.	Amm	Bmm	Cmm	Dmm	Fits	Pcs/box
SKH-M6	7	9,7	5	7	M6S ISO 4014	500
SKH-M8	10	12,7	5	7	M8S ISO 4014	500
SKH-M10	13	15,7	5	7	M10S ISO 4014	250
SKH-M12	15	17,7	5	7	M12S ISO 4014	250
SKH-M14	18	20,7	5	7	M14S ISO 4014	200
SKH-M16	21	23,7	5	7	M16S ISO 4014	200
SKH-M18	24	26,7	5	7	M18S ISO 4014	100
SKH-M20	27	29,7	5	7	M20S ISO 4014	100

FLAT PIN MASK

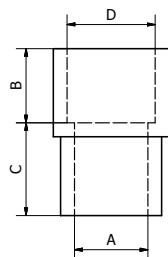
A flat pin mask with a grip for easy removal.



Art.No.	Amm	Bmm	C mm	Pcs/box
FLS-1	3,99	19,99	0,61	1000
FLS-2	5,89	11	0,79	1000
FLS-3	6,35	10,92	0,79	1000
FLS-4	7,92	8,26	0,64	1000
FLS-5	11,68	7,11	0,89	500
FLS-6	11,94	9,5	1,02	500
FLS-7	12,45	17,45	1,19	500
FLS-8	12,98	50,04	1,02	500

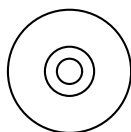
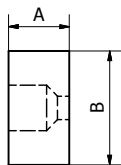
MAGNET MASK

Mask for magnet systems.



Art.No.	A mm	B mm	C mm	D mm	Pcs/box
MAGNM9,5	7,8	9	10	9,5	500
MAGNM14,5	7,8	8	15	14,5	500
MAGNM24,5	7,8	2,3	15	24,5	250

HAS TO BE TESTED!



MAGNETS FOR MAGNETIC SUSPENSION

Heat-resistant magnets protected by silicon sleeve, making them easy to replace.

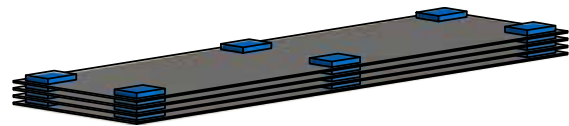
Art.No.	A mm	B mm	Weight capacity	Pcs/box
MUH-1	10	10	4,3	250
MUH-2	15	8	5,1	250
MUH-3	25	4	6,5	250

STARTER PACK

Our starter pack is perfect for finding the right masking easily. The starter pack is available for all types of masking. Get in touch to order yours.

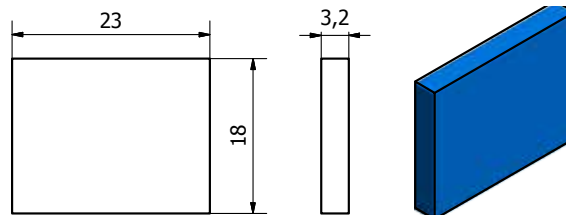
The starter pack contains:

Art.No.	Fits	Number
KP-187-750	M3	75 pcs
KP-250-1000	M4, M5	50 pcs
KP-343-1000	M6, M8	25 pcs
KP-437-1000	M10	25 pcs
KP-594-1000	M12	15 pcs
KP-625-1000	M14/M16	10 pcs
KP-748-1000	M18	8 pcs
KP-787-1000	M20	5 pcs
KP-938-1000	M22, M24	4 pcs
KP-1063-1000	M25	3 pcs
KP-1250-1000	M28	2 pcs
SH-70-1000	M2	50 pcs
SH-100-1000	M3	40 pcs
SH-148-1000	M4	25 pcs
SH-180-1000	M5	25 pcs
SH-223-1000	M6	15 pcs
SH-295-1000	M8	15 pcs
SH-375-1000	M10	10 pcs
SH-456-1000	M12	10 pcs
SH-535-1500	M14	8 pcs
SH-562x1500	M14	8 pcs
SH-625-1500	M16	6 pcs
SH-687-1000	M18	4 pcs
SH-750-1500	M20	4 pcs



SPONGE PAD

Used as buffer for protecting surface-finished product against damage during delivery. Also available in other sizes.



SILICONE PRODUCTS

Here you will find our different silicone profiles. The silicone profiles are sold by the metre.

1. Silicone strip

Used for edge masking of metal constructions.

2. Silicone profile

Rectangular silicone profile. Customised..

3. Silicone foam

For masking of e.g. gaps between metal plates. Square or round.

4. Silicone bar

A solid bar, supplied in 25 m rolls. Available in diameters of 2–20 mm. Square version also available.

5. Silicone mat

Can be used for e.g. protection between two parts to avoid adhesion. Can also be used in the production of different profiles in smaller quantities. The mat is available in thicknesses of 1–8 mm.

Art.No.	Thickness mm
Silmat 1.0	1,0
Silmat 1.5	1,5
Silmat 2.0	2,0
Silmat 3.0	3,0
Silmat 4.0	4,0
Silmat 5.0	5,0
Silmat 6.0	6,0
Silmat 8.0	8,0

6. Magnetic mat

Heat-resistant magnetic mat available to size.

Art.No.	Thickness mm
MAGNM1	1,0mm
MAGNM2	2,0mm
MAGNM3	3,0mm
MAGNM4	4,0mm
MAGNM5	5,0mm
MAGNM6	6,0mm



Masking tape

108-117



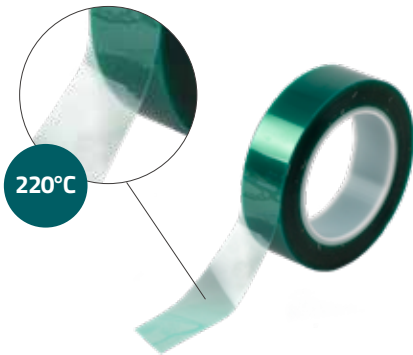


Tape	110
Tape discs	112
Special tape	114
Tape dispenser	116



TAPE

Our tapes are available in different colours and designs. The tape rolls are cut according to your wishes in widths of 3–1000 mm.

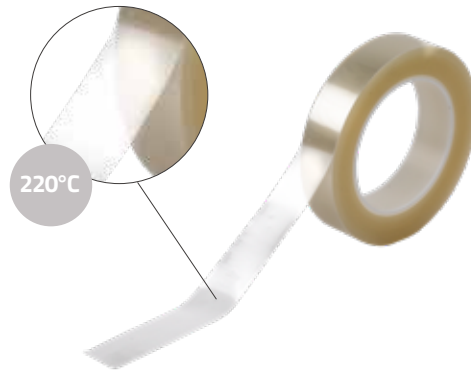


TAPE GREEN 210

Can be used at temperatures up to 220°C for approximately 25 minutes. Used in pre-preparation and for other purposes. Retains its function when cooled or heated. Also available with transparent adhesive.

Thickness **0,089 mm**

Breaking point **60%**

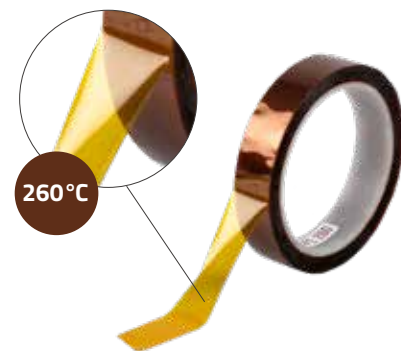


TAPE WHITE 200

Can be used at temperatures up to 220°C for approximately 25 minutes. Used in pre-preparation and for other purposes. Retains its function when cooled or heated. Also available with green adhesive.

Thickness **0,089 mm**

Breaking point **60%**

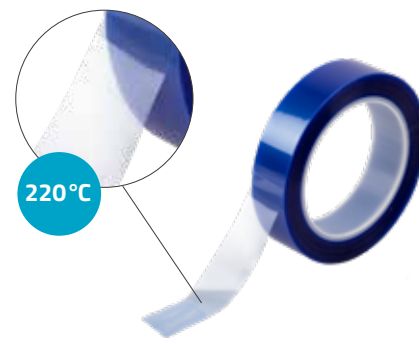


TAPE BROWN 260

Tape 260 can withstand temperatures up to 260°C for short periods of time, and down to -80°C. It is resistant to a number of solutions and pre-treatment chemicals.

Thickness **0,065 mm**

Breaking point **50%**



TAPE BLUE 180

Same features as tape 210 green but more flexible, making it easier to mask irregular or uneven areas such as edges.

Thickness **0,068 mm**



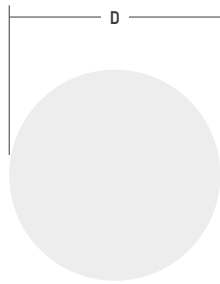
Our tape can also be specially cut for masking specific shapes and areas.



A slit backing strip makes it is easier to remove the tape discs.



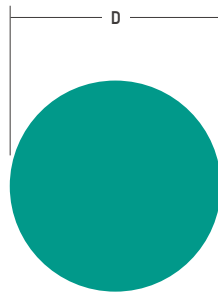
Using our own printer, we can make sure we get exact figures according to customer wishes for the quickest delivery and best result.



TAPE DISCS WHITE 210°C

These transparent tape discs can also be ordered in specific sizes. The discs are also available with a slit backing strip for easy removal.

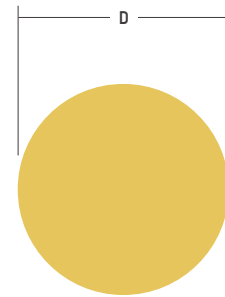
Art.No.	Dmm	No./roll
210T-6SB	6	5000
210T-8SB	8	5000
210T-9SB	9	5000
210T-10SB	10	5000
210T-11SB	11	5000
210T-12SB	12	2500
210T-13SB	13	2500
210T-14SB	14	2500
210T-15SB	15	2500
210T-16SB	16	2000
210T-18SB	18	1000
210T-19SB	19	2000
210T-20SB	20	2000
210T-22SB	22	2000
210T-25SB	25	2000
210T-30SB	30	1000
210T-32SB	32	500
210T-34SB	34	500
210T-38SB	38	500
210T-39SB	39	500
210T-41SB	41	500
210T-44SB	44	500
210T-48SB	48	500
210T-50SB	50	500
210T-54SB	54	500
210T-57SB	57	500
210T-60SB	60	250
210T-88,9SB	88,9	250



TAPE DISCS GREEN 210°C

The green tape discs can also be ordered in specific sizes. The discs are available with a slit backing strip for easy removal.

Art.No.	Dmm	No./roll
210-6SB	6	5000
210-8SB	8	5000
210-9SB	9	5000
210-10SB	10	5000
210-11SB	11	5000
210-12SB	12	2500
210-13SB	13	2500
210-14SB	14	2500
210-15SB	15	2500
210-16SB	16	2000
210-18SB	18	1000
210-19SB	19	2000
210-20SB	20	2000
210-22SB	22	2000
210-25SB	25	2000
210-30SB	30	1000
210-32SB	32	500
210-34SB	34	500
210-38SB	38	500
210-39SB	39	500
210-41SB	41	500
210-44SB	44	500
210-48SB	48	500
210-50SB	50	500
210-54SB	54	500
210-57SB	57	500
210-60SB	60	250
210-88,9SB	88,9	250



TAPE DISCS KAPTON 260°C

The yellow tape discs can also be ordered in specific sizes. The discs are available with a slit backing strip for easy removal.

Art.No.	Dmm	No./roll
260-6SB	6	5000
260-8SB	8	5000
260-9SB	9	5000
260-10SB	10	5000
260-11SB	11	5000
260-12SB	12	2500
260-13SB	13	2500
260-14SB	14	2500
260-15SB	15	2500
260-16SB	16	2000
260-18SB	18	1000
260-19SB	19	2000
260-20SB	20	2000
260-22SB	22	2000
260-25SB	25	2000
260-30SB	30	1000
260-32SB	32	500
260-34SB	34	500
260-38SB	38	500
260-39SB	39	500
260-41SB	41	500
260-44SB	44	500
260-48SB	48	500
260-50SB	50	500
260-54SB	54	500
260-57SB	57	500
260-60SB	60	250
260-88,9SB	88,9	250

**SILVER ALUMINIUM TAPE**

Our aluminium tape can be used for masking during galvanising. Adhesive is resistant to high temperatures and can be used in temperatures up to 160°C.

Art.No.	Width mm	Maximum temp. °C	Metres/roll
ALT	6-500	160	50

**PACK TAPE**

Pack tape for cardboard boxes and envelopes. Highly adhesive, plus quiet and easy to roll.

Art.No.	Width mm	Metres/roll
PT30	30	66
PT50	50	66

**FIBREGLASS TAPE WHITE**

Fibreglass tape can withstand temperatures up to 260°C and is extremely pliable, making it easy to apply around edges. Can be used in conjunction with e.g. powder painting and blasting.

Art.No.	Width mm	Maximum temp. °C	Metres/roll
GCL	5-500	260	33

**CREPE TAPE**

Crepe tape is often used in conjunction with wet painting. Available in two versions – one that can withstand temperatures up to 60°C and another that can withstand temperatures up to 200°C. The thinness of the paper makes it easy to remove after finishing has been completed.

Art.No.	Width mm	Maximum temp. °C	Metres/roll
CRT60	5-500	60	33
CRT200	5-500	200	33

**BLAST TAPE WHITE**

Blast tape is a special tape that has been developed to offer strong protection in conjunction with sand blasting and shot blasting.

Art.No.	Width mm	Maximum temp. °C	Metres/roll
BLT	5-500	100	33



VINYL TAPE

Vinyl tape is resistant to acid, sun, water etc. It adheres particularly well to metal and plastic and is easy to apply due to its pliability.

Art.No.	Width mm	Maximum temp. °C	Metres/roll
VNT12,7x33	12,7	300	33
VNT19,1x33	19,1	300	33
VNT25,4x33	25,4	300	33
VNT38,1x33	38,1	300	33
VNT50,8x33	50,8	300	33



SELF-VULCANISING SILICONE TAPE

This tape is extremely flexible and is particular suitable for uneven surfaces. On application, the tape stretches around the product and is applied overlapping, ensuring very compact masking. Can withstand temperatures up to 300°C.

Art.No.	Width mm	Maximum temp. °C	Metres/roll
SSFT	25	300	11
SSFT	38	300	11
SSFT	50	300	11



TAPE WITH ADHESIVE-FREE CENTRE SECTION

Used, for example, for long products. Simplifies application and removal as the adhesive surface is minimised. Also prevents adhesive from coming into contact with double-coated surfaces. The tape is also available punched with different profiles according to requirements.

Art.No.	Width mm	Maximum temp. °C	Metres/roll
TMAM	100–500	220	66



LINER TAPE

Tape for cutting on a plotter.

Art.No.	Width mm	Maximum temp. °C	Metres/roll
TML	100–1000	220	66



HAZARD WARNING TAPE

Tape with high tensile strength for marking guardrails, steps, doors etc.

Art.No.	Width mm	Metres/roll
VT50	50	33



AUTOMATIC TAPE DISPENSER M-1000

After a piece of tape has been removed, a new piece appears automatically. The size can be seen clearly on the display and it is extremely easy to change. If a longer piece of tape is required, simply hold down the forward button until you have the desired length.

Art.No.	Dimensions mm	Weight kg	Label width range mm	Label length range mm
M-1000	137 x 218 x 150	3	7-50	5-999



TAPE DISPENSER ZCUT-2

Permits up to 20 pieces of tape with a single press of a button. Ideal for several users at the same time. Safety button on the lid.

Art.No.	Dimensions mm	Weight kg	Label width range mm	Label length range mm
ZCUT-2	300 x 165 x 170	3,5	7-50	13-60



TAPE DISPENSER AL 1150D

Ideal for small labels and small spaces. Fitted with a photosensor that is both accurate and reliable. Automatically detaches paper, vinyl, polyester, foil etc. from its liner. Winds in the liner automatically for a tidier working environment. No tools are required to change to a different width or length. No maintenance required. The motor can also handle larger rolls. The core and reel size need to be a minimum of 50 mm ID and a maximum of 250 mm OD.

Art.No.	Dimensions mm	Weight kg	Label width range mm	Label length range mm
AL 1150D	210x210x220	5	6-140	4-200



IGK-8000 AUTOMATIC TAPE DISPENSER

After tape strip is removed, next strip is automatically prepared. Length of desired strip visible on display. Speed 200 mm/sec.

Art.No.	Dimensions mm	Weight kg	Label width range mm	Label length range mm
IGK-8000	190x150x230	x4	10-80	5-999



ZCUT-15 AUTOMATIC TAPE DISPENSER

After tape strip is removed, next strip is automatically prepared. Length of desired strip visible on display. Speed 200 mm/sec.

Art.No.	Dimensions mm	Weight kg	Label width range mm	Label length range mm
ZCUT-15	190x150x230	6	10-150	5-999

The image shows a close-up of several metal components, likely parts of a machine or mold, with a strong reddish-pink color cast. The parts are complex, featuring various holes, slots, and raised surfaces. The lighting is dramatic, highlighting the metallic textures and the precision of the manufacturing. The text is overlaid on the left side of the image.

Electroplating

118-129



Universal suspension system	120
Fixture head	122
Accessories	123
Special solutions	124
Anodising	125



PERSONAL SERVICE FROM EPIFATECH

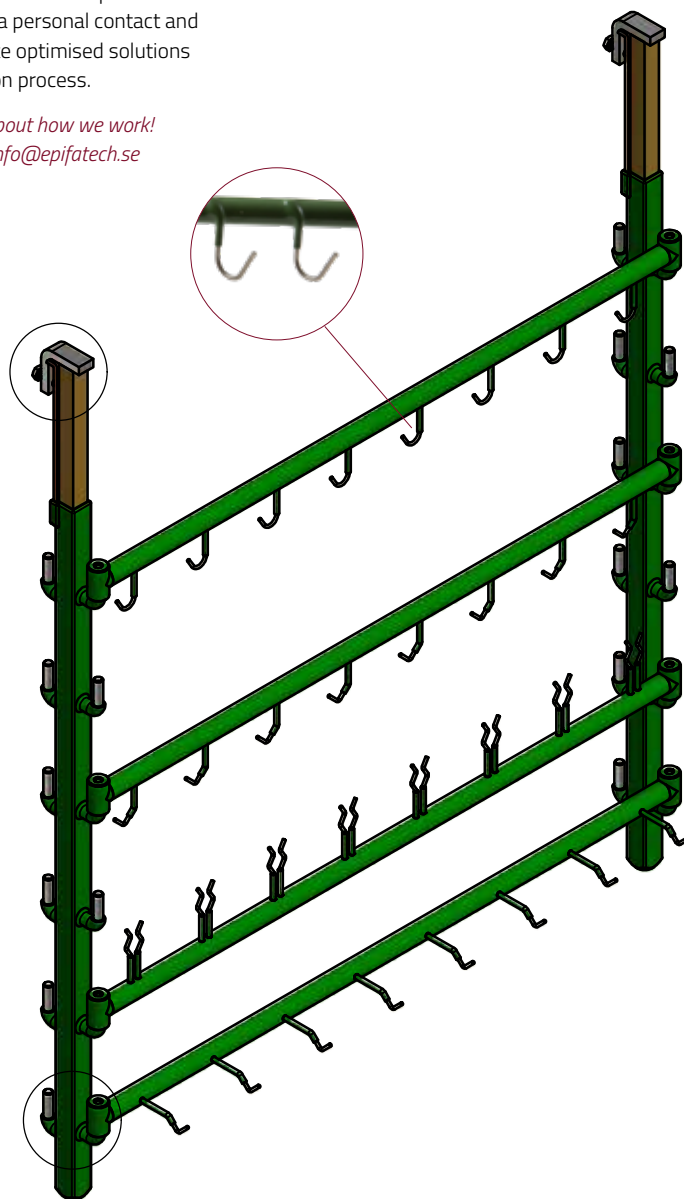
Epifatech we adapt each product to suit specific customer requirements. With a personal contact and ongoing cooperation, we create optimised solutions that cover the entire production process.

*Call us and we'll tell you more about how we work!
Phone +46 371-51 16 85 | info@epifatech.se*

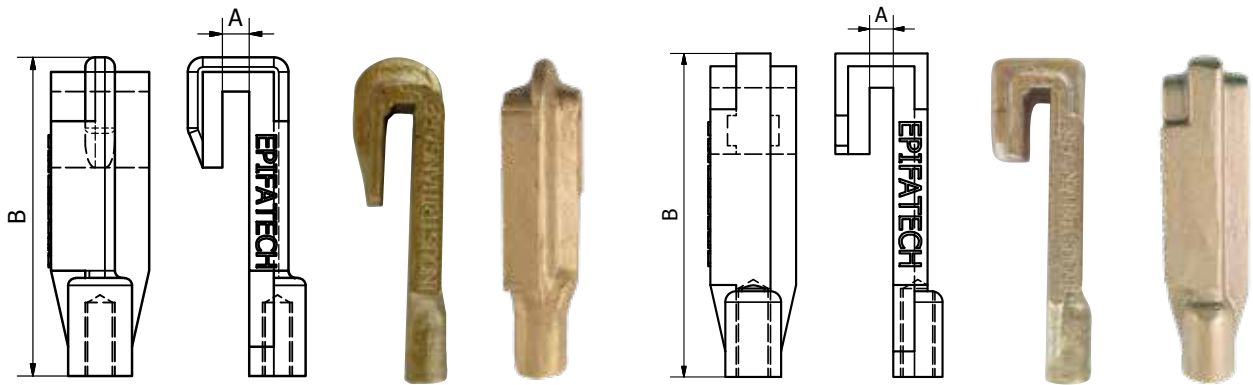
UNIVERSAL SUSPENSION SYSTEM

Our universal suspension system for electroplating. The flexibility of the system optimises space and ensures that both the width and depth of the vat can be utilised. The levels that are not used are shielded against coating.

In the universal system, hooks are made entirely according to customer wishes and are fixed into the system. This results in a highly stable suspension system that is optimised to fit into the customer's production system effectively.







FIXTURE HEAD 1

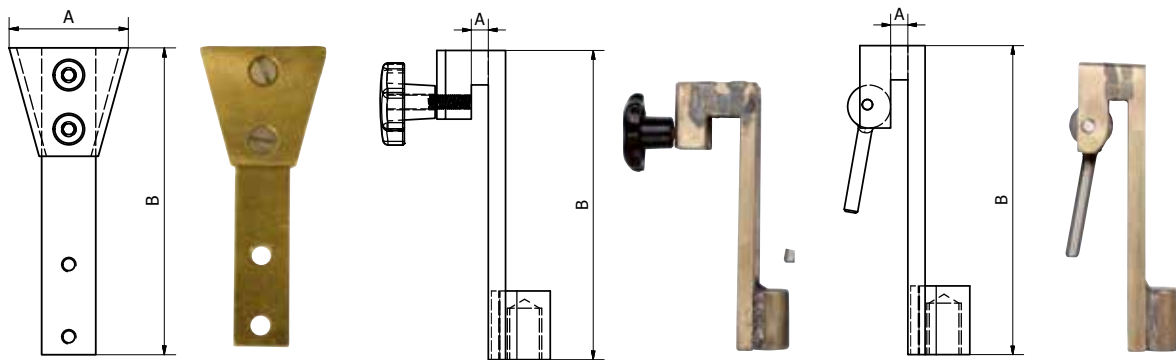
Fixture head in cast brass with an internal thread (M6-M12) adapted to different types of fixtures.

Art.No.	A mm	B mm
Huvud1	11	130

FIXTURE HEAD 2

Fixture head in cast brass with an internal thread (M6-M16) adapted to different types of fixtures. Also available with threads in the tongue for locking with a screw or screw knob.

Art.No.	A mm	B mm	C mm
Huvud2	11	150	11



FIXTURE HEAD 3

Fixture head in wrought brass, adapted to different fixtures for wedge attachment.

Art.No.	A mm	B mm
Huvud3	66	170

FIXTURE HEAD 4

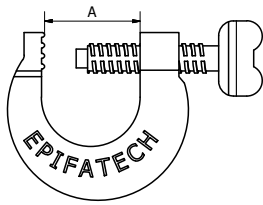
Fixture head in wrought brass that locks to the rail. The hook is intended for a higher level of electrical conductivity. Available with thread sizes up to M20.

Art.No.	A mm	B mm
Huvud4	10-20	180

FIXTURE HEAD 5

Fixture head in wrought brass with eccentric locking to the rail. The hook is intended for a higher level of electrical conductivity. Available with thread sizes up to M20.

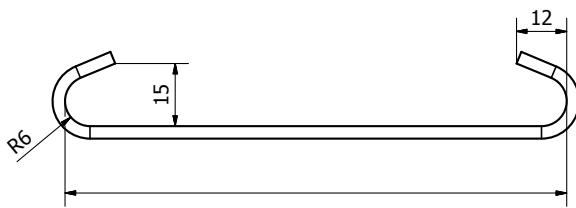
Art.No.	A mm	B mm
Huvud5	10-20	180



PLASTIC CLAMP

Epifatech's own plastic clamp is used in electroplating, supplied with or without a titanium tip. Available with different opening widths.

Art.No.	Pcs/box
PC40	20
PC60	20
PC75	20
PC100	20



COPPER HOOK

The hardness of the copper material has been produced specifically to suit electroplating.

Art.No.	Dimension	Pcs/box
Cu40x2.0	Copper hook 40x2.0	5000
Cu40x3.0	Copper hook 40x3.0	2500
Cu50x2.0	Copper hook 50x2.0	5000
Cu50x3.0	Copper hook 50x3.0	2500
Cu60x2.0	Copper hook 60x2.0	5000
Cu60x3.0	Copper hook 60x3.0	2500
Cu70x2.0	Copper hook 70x2.0	5000
Cu70x3.0	Copper hook 70x3.0	2500
Cu80x2.0	Copper hook 80x2.0	2500
Cu80x3.0	Copper hook 80x3.0	1250
Cu90x2.0	Copper hook 90x2.0	2500
Cu90x3.0	Copper hook 90x3.0	1250
Cu100x2.0	Copper hook 100x2.0	2500
Cu100x3.0	Copper hook 100x3.0	2000
Cu120x2.0	Copper hook 120x2.0	2500
Cu120x3.0	Copper hook 120x3.0	1250
Cu150x2.0	Copper hook 150x2.0	2500
Cu150x3.0	Copper hook 150x3.0	1250



COPPER WIRE

Copper wire for suspension and tying of products. Available from stock. The copper wire is wound onto small reels to simplify handling.

Art.No.	Dimension	Weight capacity
Cu0,5	0,5	5kg/reel
Cu0,7	0,7	5kg/reel
Cu0,1	1,0	5kg/reel

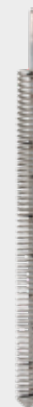


DESIGNED by EPIFATECH



COMPLETE LEAD ANODE

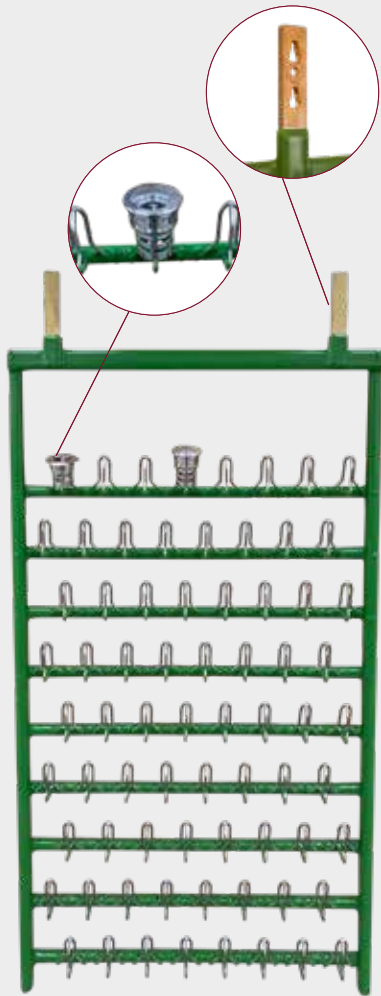
Epifatech manufactures complete lead anodes for chrome plating vats. The suspension hook is made from $\phi 16$ Cu and is adapted for lifting. Screwed and soldered to the anode. The PVC coating is placed 50 mm down the lead anode. The anode is available in specified lengths.



ZINC SPIRAL

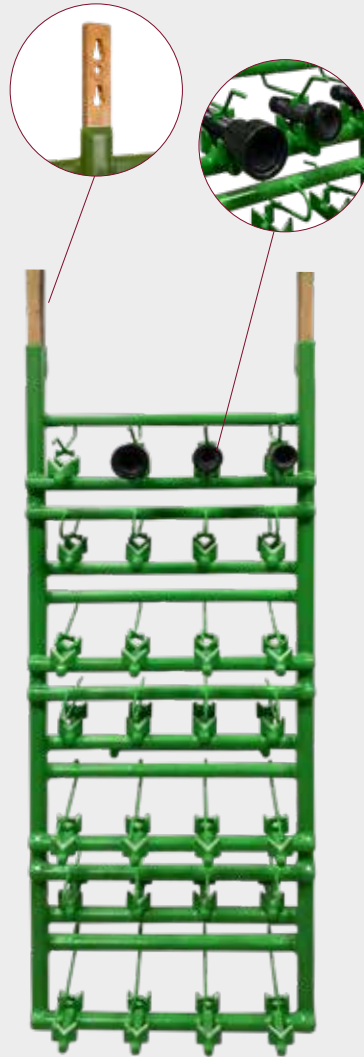
Spiral for zinc balls. Thread diameter 6-8 mm.

OPTIMISED *by* EPIFATECH



FRAME BRACKET

Product-adapted frame bracket for robotised picking and placing. The chosen materials are brass combined with titanium.



FRAME BRACKET

Frame bracket adapted to product for minimal suspension area and stable suspension.

ROUND ANODISING BASKET

Titanium basket for zinc balls.
Dimensions adapted to requirements.

A: Hook

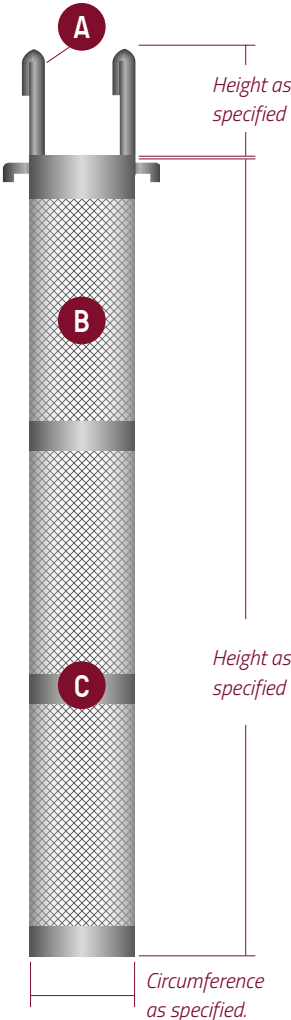
Hook diameter, square, 12 mm.
Length adapted to requirements.

B: Metal mesh

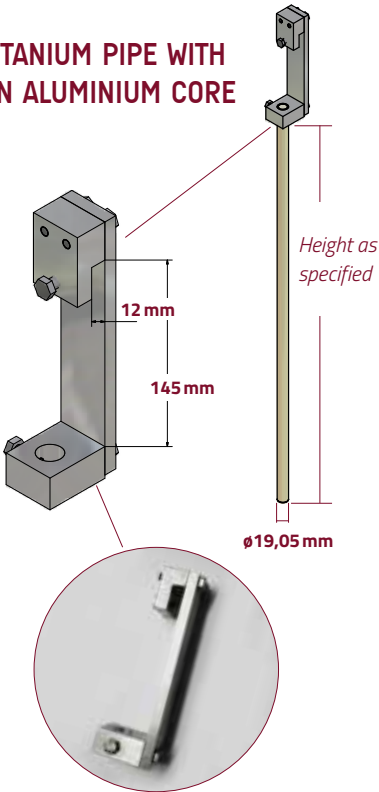
Stretch metal, 1.0 mm.

C: Reinforcement

Reinforcement bar, 1.0 x 12 mm.



TITANIUM PIPE WITH AN ALUMINIUM CORE



RECTANGULAR ANODISING BASKET

Titanium anode basket. Dimensions adapted to requirements.

A: Hook

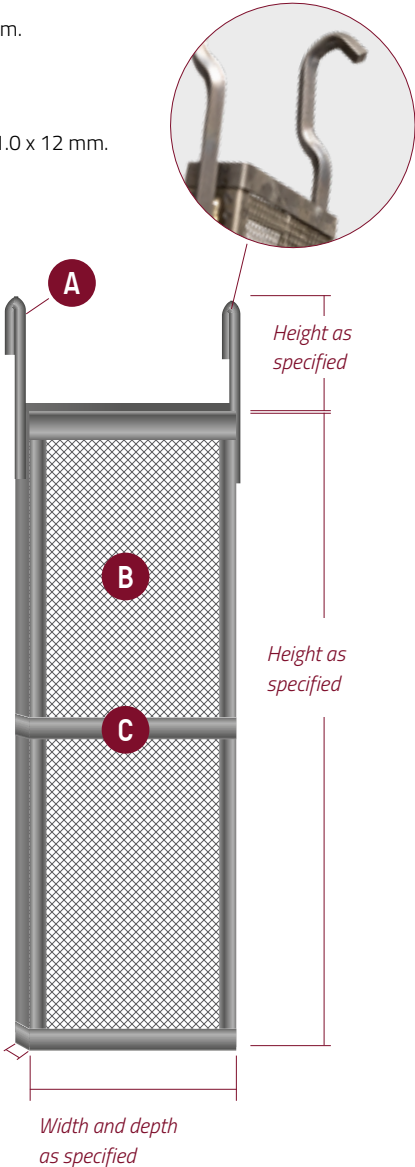
Hook diameter, square, 12 mm.
Length adapted to requirements.

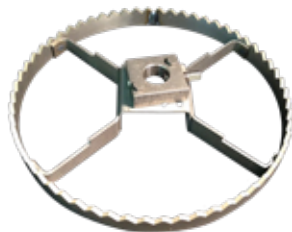
B: Metal mesh

Stretch metal, 1.0 mm.

C: Reinforcement

Reinforcement bar, 1.0 x 12 mm.





FIXED TITANIUM RING

With a fixed titanium ring you can fasten the parts firmly to ensure stable suspension.

Art.No.	No. jack	Thickness mm
FTR20	20	3,0
FTR30	30	3,0
FTR60	60	3,0



AXLE RING SINGLE SUPPORT

The axle ring is used for easy fastening of screws and axles.

Art.No.	Span	Diameter mm
AXLR1	20	2,0
AXLR2	30	2,0



AXLE RING DOUBLE SUPPORT

The axle ring is used for easy fastening of screws and axles.

Art.No.	Span	Diameter mm
AXLR3	20	2,0
AXLR4	30	2,0



METAL FINGER RING

The metal finger ring is used to fasten the parts and can be combined with the fixed titanium ring or the double metal finger ring.

Art.No.	Span	Wire thickness mm
PFR1	20	1,2
PFR2	30	1,2
PFR3	20	1,6
PFR4	30	1,6
PFR5	40	1,2
PFR6	40	1,6
PFR7	58	1,0
PFR8	58	1,2



DOUBLE METAL FINGER RING

The double metal finger ring is used to fasten the parts firmly and can be combined with the fixed titanium ring or the metal finger ring.

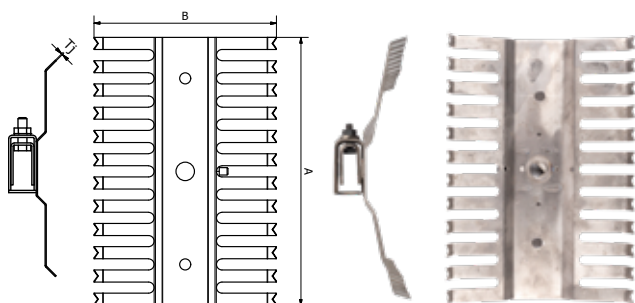
Art.No.	Span	Wire thickness mm
DPFR1	20+20	1,2
DPFR2	30+30	1,2
DPFR3	20+20	1,6
DPFR4	30+30	1,6



INTERNAL TENSION RING

Clamping ring used to fasten the parts easily between the springs.

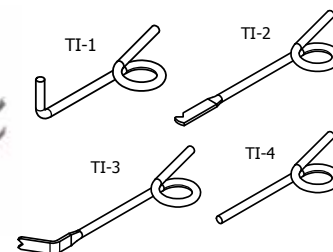
Art.No.	Span	Wire thickness mm	Angle	Arrowhead diameter
ISR1	20	1,6	45°	1,2
ISR2	20	1,6	Rakt fram	1,2
ISR3	30	1,6	45°	1,2
ISR4	30	1,6	Rakt fram	1,2
ISR5	20	3,0	45°	3
ISR6	30	3,0	Rakt fram	3
ISR7	20	3,0	Rakt fram	3
ISR8	30	3,0	45°	3
ISR9	20	5,0	45°	5
ISR10	30	5,0	45°	5
ISR11	20	5,0	Rakt fram	5
ISR12	30	5,0	Rakt fram	5



RECTANGULAR TITAN DISC, SINGLE

Rectangular tension disk used for holding products firmly on same level. Easy to adjust using conductor to adapt to different product heights.

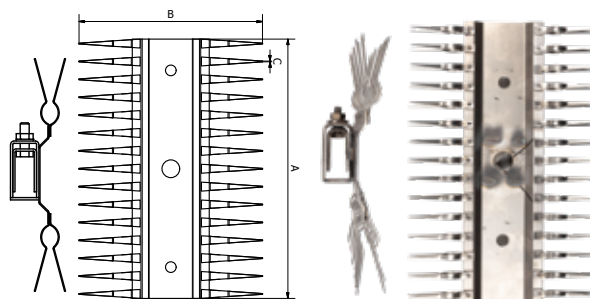
Art.No.	A	B	Tj	No. fingers	No. fasteners
RTDS1	300	202	1,2	12+12	1
RTDS2	300	202	1,6	12+12	1
RTDS3	600	202	1,2	24+24	2
RTDS4	600	202	1,6	24+24	2



SPRING RING

The spring ring is used when parts need to be fastened firmly and is available with a customer-specified spring design.

Art.No.	Wire thickness mm	No. suspension	Type of hook
FJR1	3	20	TI-4
FJR2	4	20	TI-4
FJR3	3	20	TI-1
FJR4	4	20	TI-1
FJR5	3	20	TI-3
FJR6	4	20	TI-3
FJR7	3	20	TI-2
FJR8	4	20	TI-2



RECTANGULAR TITAN DISC, DOUBLE

Rectangular tension disc for suspension on same level.

Art.No.	A	B	Breadth of arrowhead	Suspension thickness	No. fingers	No. fasteners
RTDD1	300	202	1,2	1,2	15+15	1
RTDD2	300	202	1,2	1,6	15+15	1
RTDD3	600	202	1,2	1,2	30+30	2
RTDD4	600	202	1,2	1,6	30+30	2
RTDD5	300	202	3,0	1,2	15+15	1
RTDD6	300	202	3,0	1,6	15+15	1
RTDD7	600	202	3,0	1,2	30+30	2
RTDD8	600	202	3,0	1,6	30+30	2
RTDD9	300	202	5,0	1,2	15+15	1
RTDD10	300	202	5,0	1,6	15+15	1
RTDD11	600	202	5,0	1,2	30+30	2
RTDD12	600	202	5,0	1,6	30+30	2

BRACKETS FOR TITANIUM RINGS

Titanium brackets for rings with an axle diameter of 20 mm.
Also available in specified sizes.

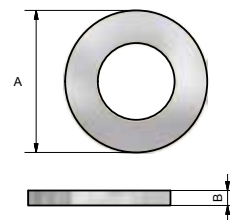
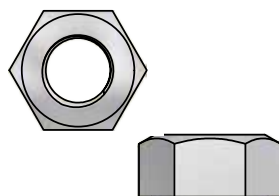
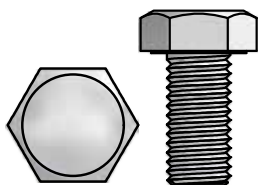
Art.No.

FST1	U-shaped external bracket
FST2	U-shaped internal bracket



TITAN SCREWS, NUTS AND WASHERS

In addition to the standard table sizes, titanium screws and nuts can be supplied according to a specified size, length and design.



TITAN SCREW

Art.No.	Pcs/box
TIS-M4x20	100
TIS-M4x25	100
TIS-M4x30	100
TIS-M5x20	100
TIS-M5x25	100
TIS-M5x30	100
TIS-M6x20	100
TIS-M6x25	100
TIS-M6x30	100
TIS-M8x20	50
TIS-M8x25	50
TIS-M8x30	50
TIS-M10x25	50
TIS-M10x30	50
TIS-M10x40	50
TIS-M12x30	50
TIS-M12x50	50

NUT

Art.No.	Pcs/box
TIM-M4	100
TIM-M5	100
TIM-M6	100
TIM-M8	50
TIM-M10	50
TIM-M12	50

WASHER

Art.No.	A	B	Pcs/box
TIB-M4	9	0,8	100
TIB-M5	10	1	100
TIB-M6	12	1,6	100
TIB-M8	16	1,6	50
TIB-M10	20	2	50
TIB-M12	24	2,5	50



CASE: PROVEXA



Oscar Hultmark, Head of Department Galvano, Provexa

“FUNCTION, PROTECTION AND SUSTAINABILITY SINCE 1881”

With patented ideas and ground-breaking surface technology that is changing our perception of what is possible with surface finishing, Provexa offers surface technology and surface finishing that is not just visually pleasing, but that also provides the right function and protection. With a focus on solutions, clear communication and good item descriptions and understanding, Epifitech can contribute as a supplier to Provexa to both better quality (for shorter lead times) and better prices for Provexa’s customers.





Talk soon!

At Epifatech AB, excellent availability and close collaboration with our customers is something we prioritise highly in our day-to-day operations. For us, this means working with the customer to produce a tailor-made solution. By establishing a mutual collaboration at an early stage in the process, we make it easier to understand each individual customer's needs, which creates the foundations for finding the best possible solution. Don't hesitate to get in touch if you have questions about any of our products or our work.

EPIFATECH AB

+46 (0)371-51 16 85
info@epifatech.se

Visiting address:
Mossarp 40
332 92 Gislaved
Sweden

Postal address:
Box 48
SE-334 31 Anderstorp
Sweden

www.epifatech.se

Terms and conditions of sale

Terms and conditions of payment are 30 days net from the invoice date. We use electronic invoicing. Welded fixtures that are manufactured are saved for three years after the final delivery unless agreed otherwise. Delivery: Ex works.







EPIFATECH®

makes surface to content

When choosing suspension and masking technology, we are your obvious partner. Extensive experience and commitment built up over decades have made us a unique team member when it comes to surface finishing optimisation. We have evolved into a global company with representatives in several countries and with our own European sales and distribution system.

www.epifatech.com