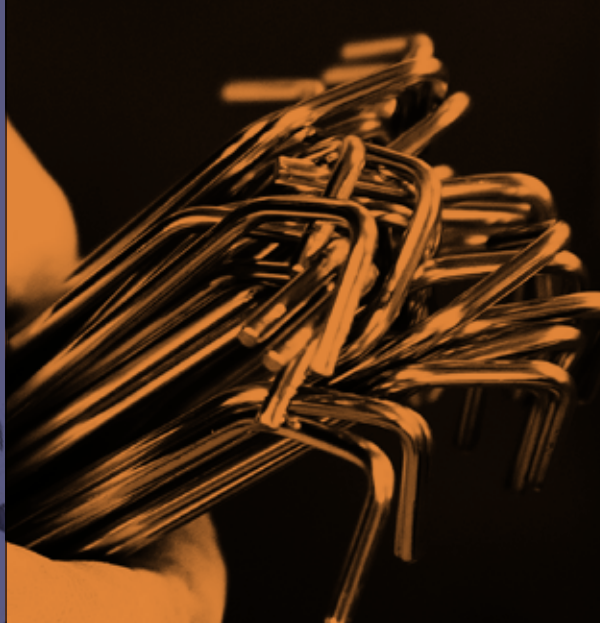
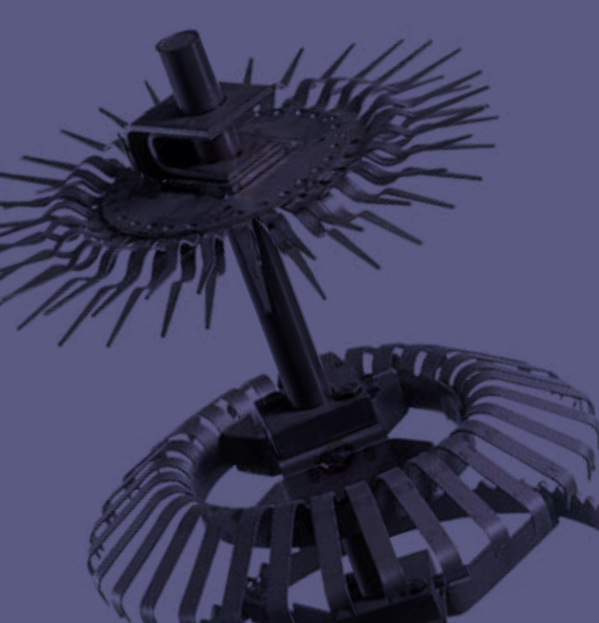


WITH US  
OPTIMISED  
IS STANDARD

Product guide  
world wide



Suspension and masking technology  
for the surface finishing industry

**EPIFATECH**<sup>®</sup>  
*makes surface to content*

A man with a beard, wearing a dark sweater over a collared shirt, is looking intently at industrial machinery in a factory setting. The machinery is green and white, and the background is slightly blurred, showing more of the industrial environment.

# Together

We have no doubt that our customers have full control of how they achieve maximum flow efficiency. Our task is to provide them with the means to achieve that level optimally. At Epifatech we recognise and appreciate the expertise and experience of our customers. Our aim is to use our knowledge and capability to help them progress. It has never been a question of delivering a mass-produced product. What we are seeking is a partnership with our customers to achieve a specially adapted solution.

Cooperation begins at an early stage where we examine the customer's production process. How many parts need to be finished at the same time? How much space is available? How can the suspension systems be transported and stored?

The preliminary study is a crucial part of the project as we acquire an understanding of the needs of the customer. This then gives us a basis for presenting a design that is best suited to each assignment. That is how we and our customers work together to achieve common goals.







# ideas

When developing a new suspension system, the starting point is determining how many parts will need to be placed on each frame and how it will affect the finishing technique.

We have experience of suspension systems that work in different ways depending on the finishing technique. A part could be electroplated to achieve overall protection against corrosion. The same part could then move on to be powder coated – but only certain sections. The other sections need to be masked. In the past, each part was masked manually before coating, which proved extremely time-consuming. A manual system was also less precise. With a solution from Epifatech, the same design can be used for both complete electroplating and partial powder coating. This not only means that a great deal of extra masking can be avoided, it also eliminates the need to move parts to a new frame when moving on to the next finishing stage.

By thinking innovatively we identify new approaches and deliver solutions that function down to the part level. Solutions that will last a long time and which, with the application of logistics thinking, are adapted to the customer's production system and their specific requirements. Optimised on every level.





# come to life

Surface finishing can differ quite significantly – and on many levels. Quality stipulations presented by our customers are becoming increasingly stringent. This makes stricter demands on the finishing and the suspension system. We ensure that we see the totality in each project and we allow the end-product to govern the way we work.

Our suspension systems help make the process as smooth and optimised as possible from start to finish. A slightly more advanced suspension system could also make it easier to synchronise the different phases. By doing so, our customers have better control over the entire process through to the finished product at the end-customer.

We maintain that the process and end-result are equally important and to underpin this principle we provide a complete concept where the outcome is based clearly on pre-set objectives.

# optimised

Optimising production is an obvious ambition when it comes to suspension systems for surface finishing. At Epifatech optimisation involves seeing the totality and resolving problems becomes an integral part of our work process. It is all about saving time by having systems that are carefully adapted to the part that is to be suspended. But it is also a question of flexibility and eliminating unnecessary handling. If, for example, suspension systems are used at different stages, it could be important to store the systems optimally to save on space. It could also be a question of developing an efficient process for sending away systems to have paint burnt off. With several systems hanging on the same frame, they can be easily burnt together in a considerably shorter period of time than if they were handled individually.

By focusing on the process as a whole and not just the actual suspension arrangement, we can provide added value for the customer, which in the final analysis saves time and offers long-term sustainability.









# and quality driven.

We believe in a quality-driven work process. With our highly stable suspension systems, all the components are fixed, allowing full control of the dimensions and distance between the parts. When suspended, the parts hang in the same way every time. Not only does this simplify the process, it is a vital requirement when a system is robotised.

Quality is also a matter of gaining the trust of the customer. Ensuring that our solutions can be adapted to all types of projects and operations is a priority. To achieve this, we have not locked ourselves into a standard range. Instead we strive in every way to be flexible and by doing so deliver products based on needs. The result is that we can offer complete, optimised solutions without them necessarily costing more.

By immersing ourselves in our customer's production process, logistics and storage systems we build up a solid partnership with a level of quality that is consistently high throughout the whole process.

**INDIEATECH**  
to content

A collection of medical supplies is arranged on a white surface. In the upper left, a gold-colored paperclip is visible. To its right, a silver metal tray holds several orange and red pills of various shapes and sizes. Further right, there are several green capsules. In the lower right, a blister pack contains numerous green circular pills. A pair of tweezers is partially visible on the left side of the frame.

**With us  
optimised  
is standard.**



## SHAPING COLLABORATION

At Epifatech we develop and manufacture suspension systems for electroplating and powder coating. We also offer a wide range of masking options. We have been operating for more than 40 years and we have more experience in the industry than the majority of our competitors.

In cooperation with our customers we have produced effective solutions in a range of areas and we are now represented throughout the whole of Europe.

We have a wide assortment of hooks, fittings, masking equipment, plugs and other products although our main strength lies in our flexibility. Working closely with our customers, we constantly seek to find specially adapted solutions. We usually say that we have optimised solutions as standard. By this we mean that it should not need to cost more to have an adapted system than it would to buy ready-made standard solutions.

Not only are we committed, we are also competitive. This is enhanced by the open cooperation we strive for with our customers. We have worked with the majority of our customers for a long time, which is a clear sign of our mutual success.





# Contents

## FIND WHAT YOU REQUIRE IN OUR PRODUCT RANGE

We have divided our product range into five areas. You will find products with both standard dimensions and with dimensions that are adapted entirely to your needs.




ELECTROPLATING

16-25



POWDER COATING

26-37



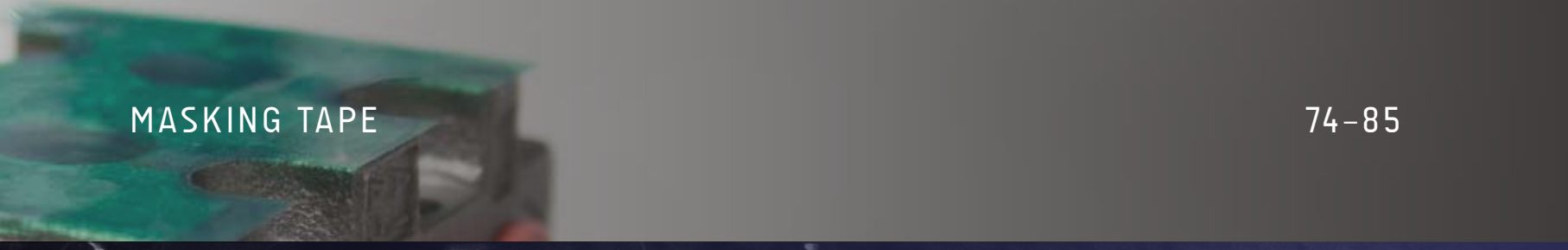
HOOKS

40-49



MASKING FOR HOLES AND AXLES

50-73



MASKING TAPE

74-85



PRODUCT OVERVIEW

86-87



TERMS AND CONDITIONS OF SALE AND CONTACT INFORMATION

88-89







# Electroplating

16-25

## UNIVERSAL SUSPENSION SYSTEM

Our universal suspension system for electroplating. The flexibility of the system optimises space and ensures that both the width and depth of the vat can be utilised. The levels that are not used are shielded against coating.

### A: Conductor

The conductor for the system is available in the required length and with the required number of levels

### B: Extended strut

The strut can be extended to bring it closer to the anodes.

### C: Centred strut

The strut is used to centre the parts in the vat.

### D: Fixed hooks

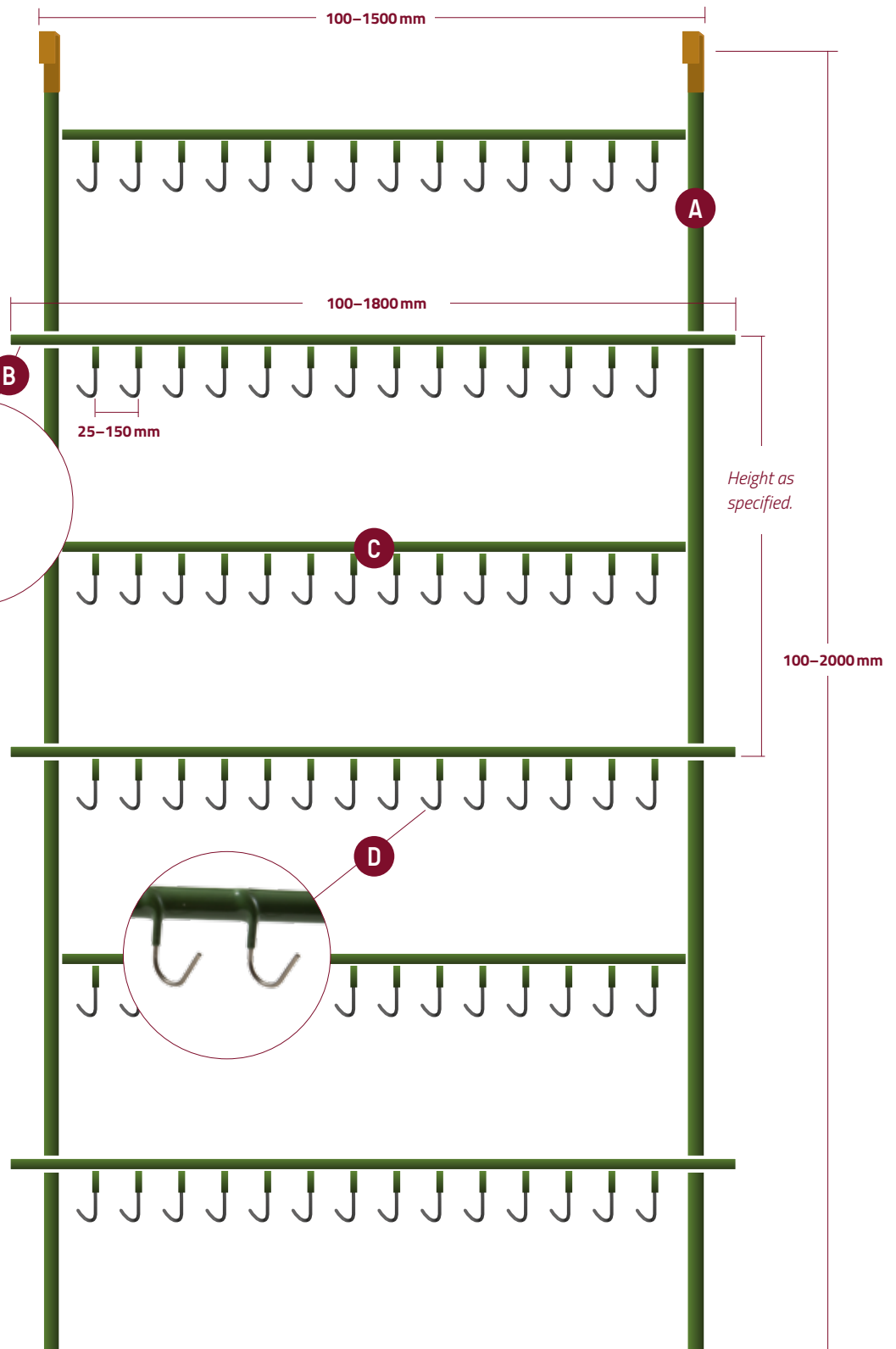
In the universal system, hooks are made entirely according to customer wishes and are fixed into the system. This results in a highly stable suspension system that is optimised to fit into the customer's production system effectively.



## PERSONAL SERVICE FROM EPIFATECH

At Epifatech we adapt each product to suit specific customer requirements. With a personal contact and ongoing cooperation, we create optimised solutions that cover the entire production process.

*Call us and we'll tell you more about how we work!*  
 Phone 0371-51 16 85 | [info@epifatech.se](mailto:info@epifatech.se)





### FIXTURE HEAD 1

Fixture head in cast brass with an internal thread (M6-M12) adapted to different types of fixtures.

Art. No.	Amm	Bmm
Huvud1	11	130



### FIXTURE HEAD 2

Fixture head in cast brass with an internal thread (M6-M16) adapted to different types of fixtures. Also available with threads in the tongue for locking with a screw or screw knob.

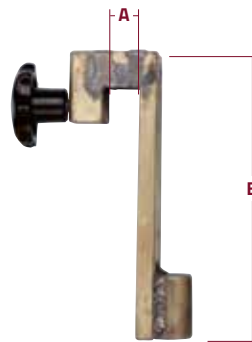
Art. No.	Amm	Bmm	Cmm
Huvud2	11	150	11



### FIXTURE HEAD 3

Fixture head in wrought brass, adapted to different fixtures for wedge attachment.

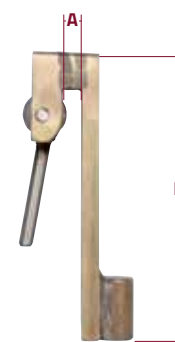
Art. No.	Amm	Bmm
Huvud3	66	170



### FIXTURE HEAD 4

Fixture head in wrought brass that locks to the rail. The hook is intended for a higher level of electrical conductivity. Available with thread sizes up to M20.

Art. No.	Amm	Bmm
Huvud4	10-20	180



### FIXTURE HEAD 5

Fixture head in wrought brass with eccentric locking to the rail. The hook is intended for a higher level of electrical conductivity. Available with thread sizes up to M20.

Art. No.	Amm	Bmm
Huvud5	10-20	180



## PLASTIC CLAMP

Epifatech's own plastic clamp is used in electroplating, supplied with or without a titanium tip. Available with different opening widths.

Art. No.	Pcs/box.
PC45	20
PC60	20
PC75	20
PC100	20



## COPPER HOOK

The hardness of the copper material has been produced specifically to suit electroplating.

Art. No.	Dimension	Pcs/box
Cu40x2.0	Kopparkrok 40x2.0	5000
Cu40x3.0	Kopparkrok 40x3.0	2500
Cu50x2.0	Kopparkrok 50x2.0	5000
Cu50x3.0	Kopparkrok 50x3.0	2500
Cu60x2.0	Kopparkrok 60x2.0	5000
Cu60x3.0	Kopparkrok 60x3.0	2500
Cu70x2.0	Kopparkrok 70x2.0	5000
Cu70x3.0	Kopparkrok 70x3.0	2500
Cu80x2.0	Kopparkrok 80x2.0	2500
Cu80x3.0	Kopparkrok 80x3.0	1250
Cu90x2.0	Kopparkrok 90x2.0	2500
Cu90x3.0	Kopparkrok 90x3.0	1250
Cu100x2.0	Kopparkrok 100x2.0	2500
Cu100x3.0	Kopparkrok 100x3.0	2000
Cu120x2.0	Kopparkrok 120x2.0	2500
Cu120x3.0	Kopparkrok 120x3.0	1250
Cu150x2.0	Kopparkrok 150x2.0	2500
Cu150x3.0	Kopparkrok 150x3.0	1250



## COPPER WIRE

Copper wire for suspension and tying of products. Available from stock. The copper wire is wound onto small reels to simplify handling.

Art. No.	Dimension	Weight capacity
Cu0,5	0.5	5 kg/reel
Cu0,7	0.7	5 kg/reel
Cu0,1	1.0	5 kg/reel

## DESIGNED by EPIFATECH



### COMPLETE LEAD ANODE

Epifatech manufactures complete lead anodes for chrome plating vats. The suspension hook is made from  $\varnothing 16$  Cu and is adapted for lifting. Screwed and soldered to the anode. The PVC coating is placed 50 mm down the lead anode. The anode is available in specified lengths.



### ZINC SPIRAL

Spiral for zinc balls. Thread diameter 6-8 mm



*Chrome coating of plastic products.*



*Product-adapted suspension system for an optimal surface finish at a trivalent chromium plating plant.*

OPTIMISED *by* EPIFATECH



PIPE HANGER

*Customised pipe hanger for zinc and nickel plants.*



PIPE HANGER

*Customised pipe hanger for nickel/chrome.*



TITANIUM BASKET FOR ANODISING

*Optimised titanium basket for anodising of aluminium valve stems.*



HANGER FOR PIPE CONSTRUCTION

*Customer-adapted hanger for pipe construction, nickel/chrome.*



METAL CLAMP

*Metal clamp used for circuit board fixtures and other products.*



SCREW HANGER

*Screw hanger for metal plates and circuit boards.*

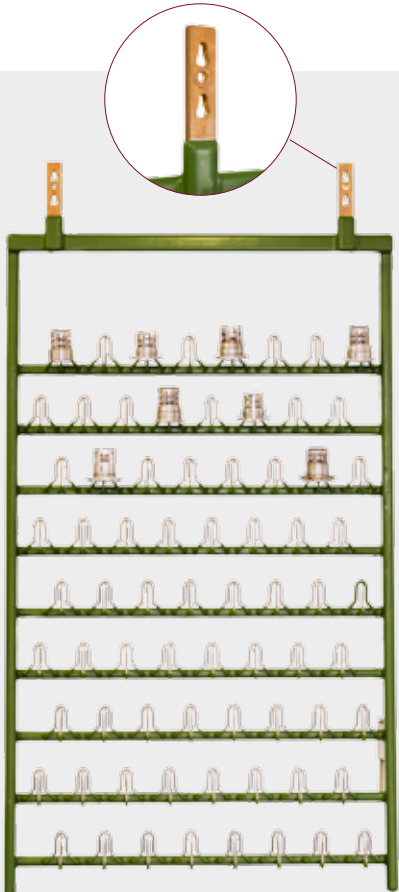
OPTIMISED *by* EPIFATECH



ADAPTED UNIVERSAL HANGER  
*Universal hanger with four-point clamping.*



PRODUCT-ADAPTED HANGER  
*Product-adapted hanger for metal parts.*



FRAME BRACKET  
*Product-adapted frame bracket for robotised picking and placing. The chosen materials are brass combined with titanium.*



### ROUND ANODISING BASKET

Titanium basket for zinc balls. Dimensions adapted to requirements.

**A: Hook**

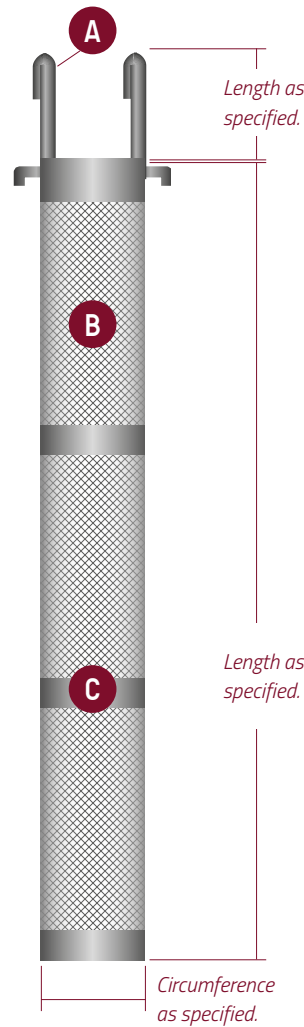
Hook diameter, square, 12 mm.  
Length adapted to requirements.

**B: Metal mesh**

Stretch metal, 1.0 mm.

**C: Reinforcement**

Reinforcement bar, 1.0 x 12 mm.



### RECTANGULAR ANODISING BASKET

Titanium anode basket. Dimensions adapted to requirements.

**A: Hook**

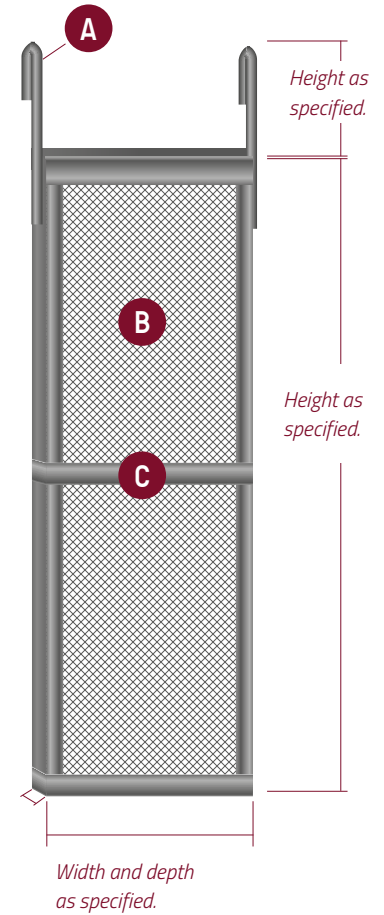
Hook diameter, square, 12 mm.  
Length adapted to requirements.

**B: Metal mesh**

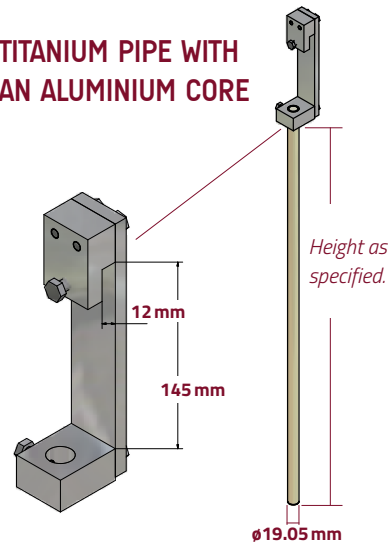
Stretch metal, 1.0 mm.

**C: Reinforcement**

Reinforcement bar, 1.0 x 12 mm.



### TITANIUM PIPE WITH AN ALUMINIUM CORE



### FIXED TITANIUM RING

With a fixed titanium ring you can fasten the parts firmly to ensure stable suspension.

Art. No.

FTR60



### AXLE RING

The axle ring is used for easy fastening of screws and axles.

Art. No.

AXLR1

Span

20

Diameter mm

2.0

AXLR2

30

2.0



### METAL FINGER RING

The metal finger ring is used to fasten the parts and can be combined with the fixed titanium ring or the double metal finger ring.

Art. No.

PFR1

Span

20

Wire thickness mm

1.2

PFR2

30

1.2

PFR3

20

1.6

PFR4

30

1.6

PFR5

40

1.2

PFR6

40

1.6

PFR7

58

1.0

PFR8

58

1.2





## DOUBLE METAL FINGER RING

The double metal finger ring is used to fasten the parts firmly and can be combined with the fixed titanium ring or the metal finger ring.

Art. No.	Span	Wire thickness mm
DPFR1	20+20	1.2
DPFR2	30+30	1.2
DPFR3	20+20	1.6
DPFR4	30+30	1.6

## UNIVERSAL HANGER

Universal hanger for internal and external suspension. Available with a range of angles and designs.

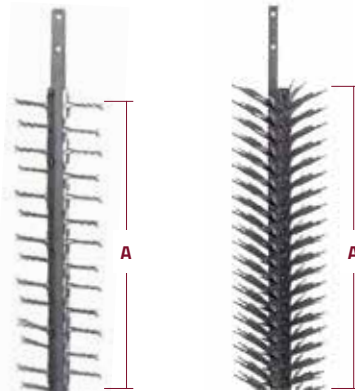
Art. No.	Amm
V-32-2	635
V-48-2	915
V32-4	615
V48-4	615



## SPRING RING

The spring ring is used when parts need to be fastened firmly and is available with a customer-specified spring design.

Art. No.	Wire thickness mm
FJR1	1.2
FJR2	1.2



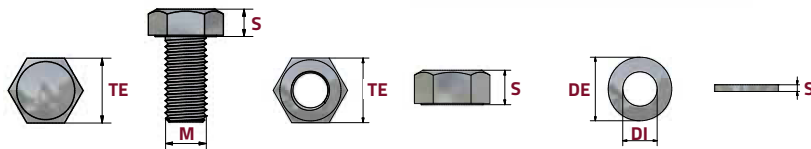
## INTERNAL TENSION RING

Clamping ring used to fasten the parts easily between the springs.

Art. No.	Span	Wire thickness mm	Angle
ISR1	20	1.6	45°
ISR2	20	1.6	Straight
ISR3	30	1.6	45°
ISR4	30	1.6	Straight
ISR5	20	3.0	45°
ISR6	30	3.0	Straight
ISR7	20	3.0	Straight
ISR8	30	3.0	45°
ISR9	20	5.0	45°
ISR10	30	5.0	45°
ISR11	20	5.0	Straight
ISR12	30	5.0	Straight

## TITANIUM SCREWS AND NUTS

In addition to the standard table sizes, titanium screws and nuts can be supplied according to a specified size, length and design.



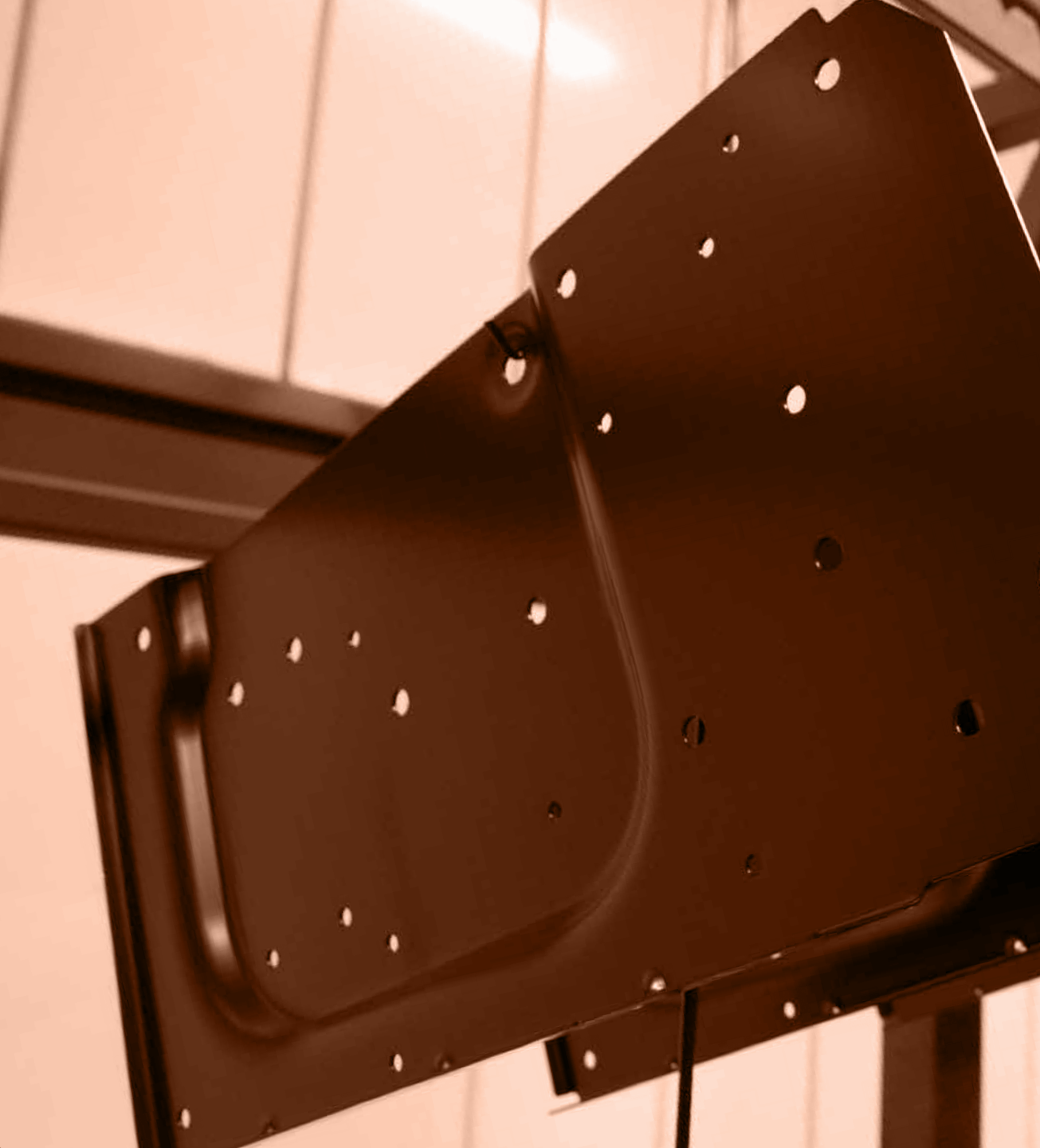
Art. No.	DIN 933		DIN 934		DIN 125		
	TE	S	TE	S	DE	DI	S
M4	7	2.8	7	3.2	9	4.3	0.8
M5	8	3.5	8	4	10	5.3	1
M6	10	4	10	5	12.5	6.4	1.6
M8	13	5.5	13	6.5	17	8.4	1.6
M10	17	7	17	8	21	10.5	2
M12	19	8	19	10	24	13	2.5
M14	22	9	22	11	28	15	2.5



## BRACKETS FOR TITANIUM RINGS

Titanium brackets for rings with an axle diameter of 20 mm. Also available in specified sizes.

Art. No.	Description
FST1	U-shaped external bracket
FST2	U-shaped internal bracket
FST3	Screw M8x25
FST4	M8 bolt
FST5	M8 with washer



A photograph of an industrial powder coating line. The image shows a series of metal parts, likely automotive components, hanging from a conveyor system. The parts are dark and appear to be in the process of being coated. The background is a complex industrial structure with various pipes, beams, and lights, all bathed in a warm, orange-brown light. The overall scene is a detailed view of a manufacturing process.

# Powder coating

26–39

## UNIVERSAL SUSPENSION SYSTEM

Our universal suspension system for powder coating can be adapted to specific production requirements. Several different struts are available to fit the suspension system and they are easily changed.

### A: Suspension system frame

The frame for the system is available according to the desired width and length.

### B: Strut bracket

The struts are attached at both ends, making the system stable and durable. The brackets are mig-welded to ensure optimal service life and are not affected by burning.

### C: Strut for universal suspension system

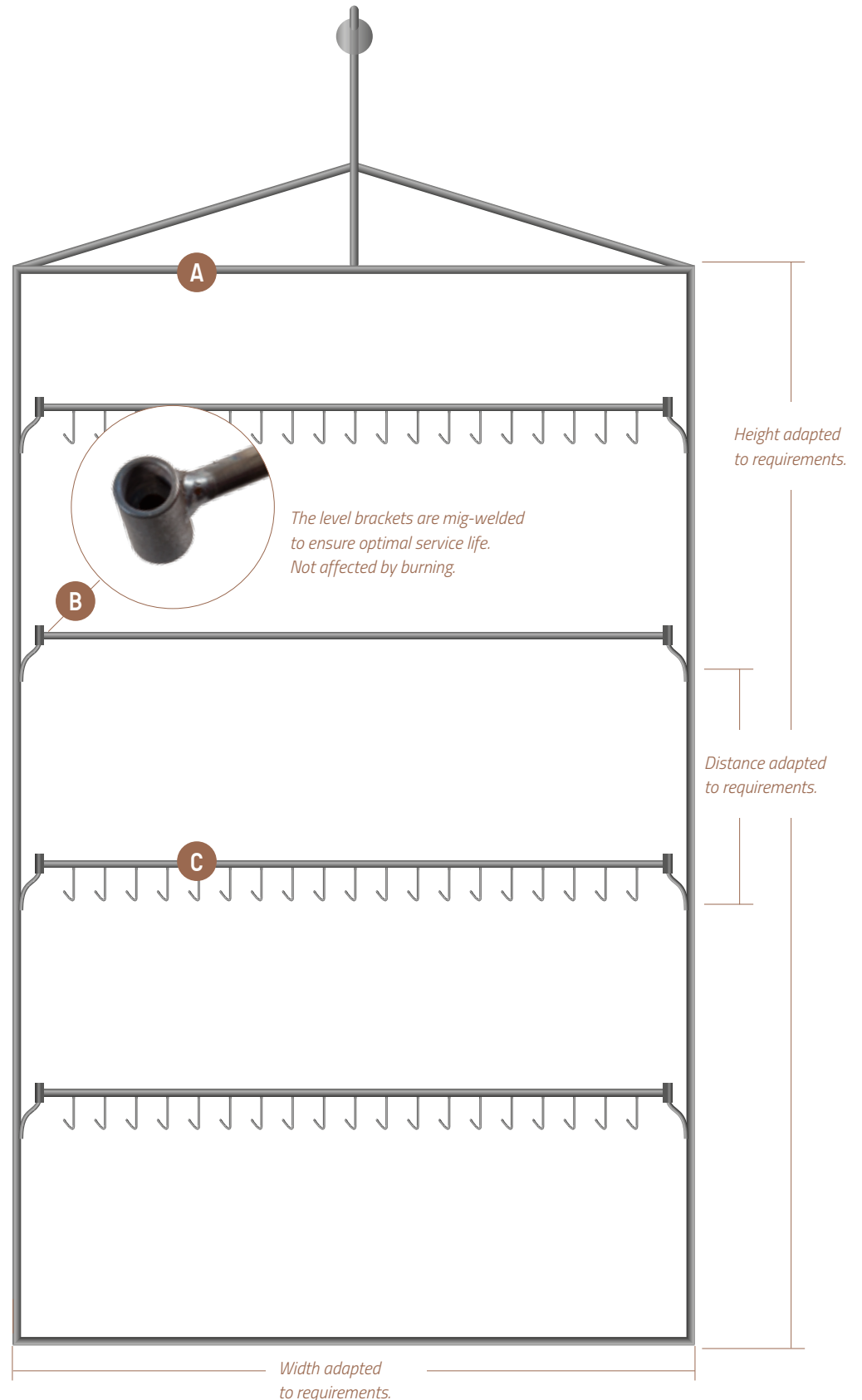
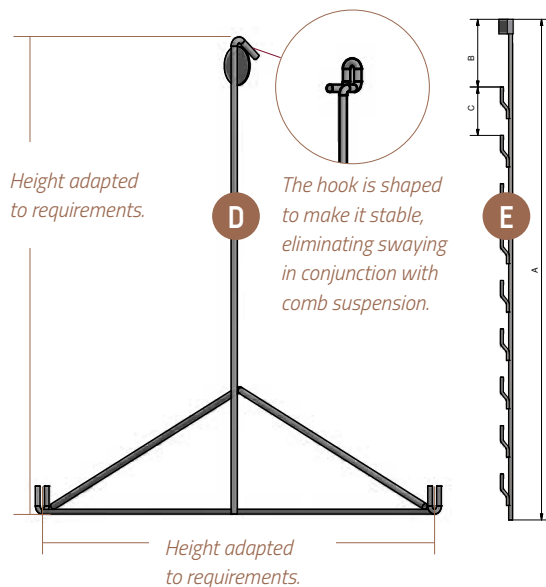
We have several different struts that can be easily adapted to suit different requirements. See strut model range on page 30.

### D: Removable frame system

A suspension attachment for removable frame sides. The system has been produced to ensure the best possible storage arrangement, reducing the amount of storage space required. Also an advantage during transport.

### E: Removable sides

The frame sides are available in different lengths and with different sections. Easy to store, they take up minimal space even when being transported.



## SIMPLIFIED SUSPENSION SYSTEM

A flexible, time-saving suspension system. The simple suspension of the strut allows hooks to be changed rapidly and cost-effectively. This suspension system is particularly suited to larger volumes.

### A: Stem for simplified suspension system

A flexible system that is available in a desired length and specified number of levels.

### B: Disc

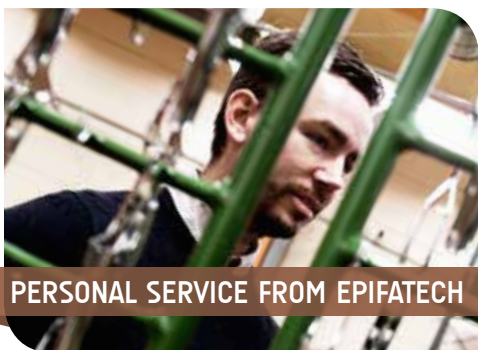
The disc is welded in place, preventing the hanger from swaying and ensuring that it remains steady throughout the whole process. The disc can also be labelled with article numbers, bar codes etc.

### C: Bracket for simplified suspension system

A simple bracket to facilitate strut changes. The bracket design is patented.

### D: Strut for standard suspension system

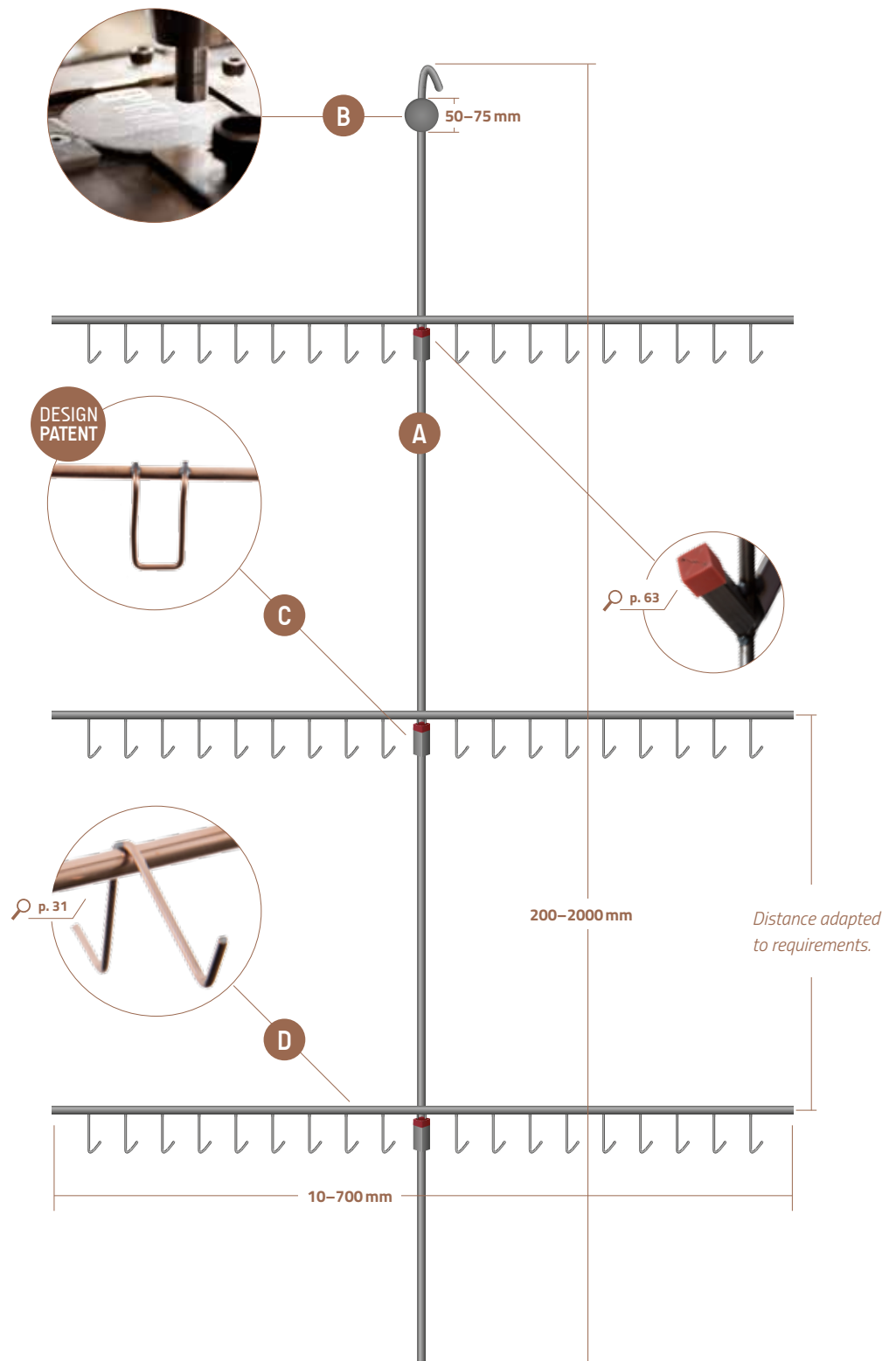
We have a range of struts that can be easily adapted to different requirements. For details of the strut models, see page 31.

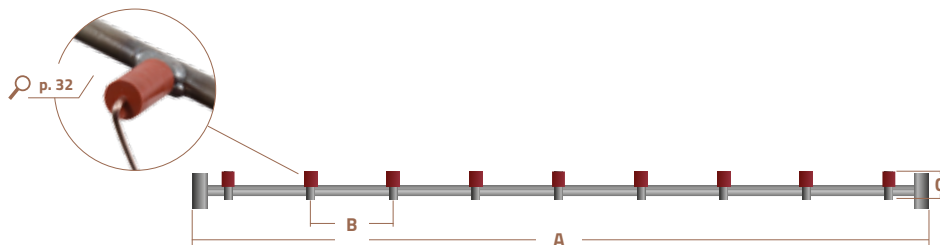
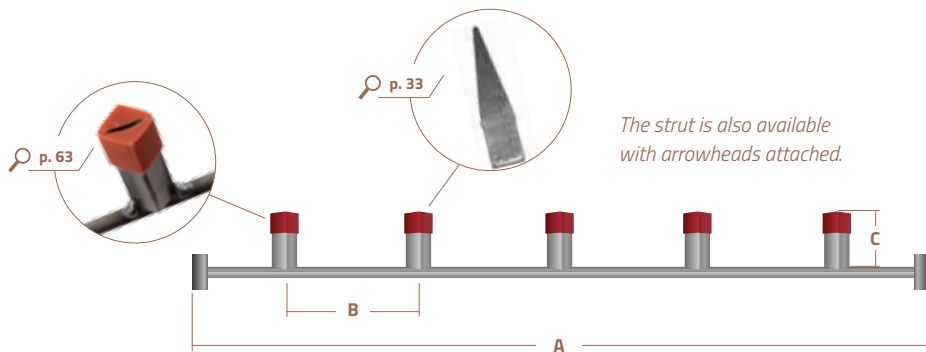
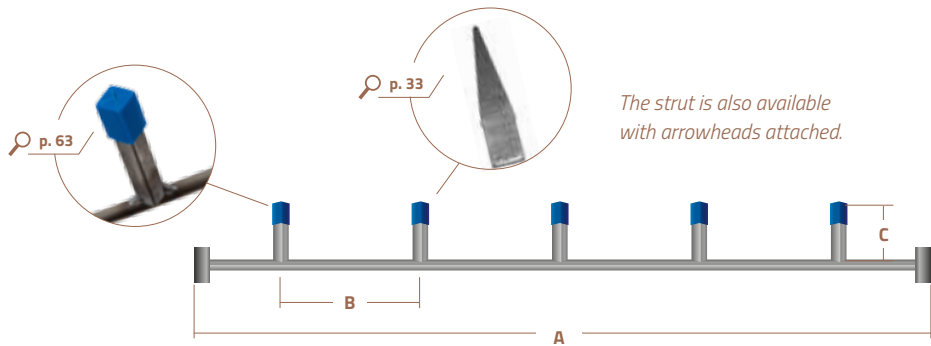
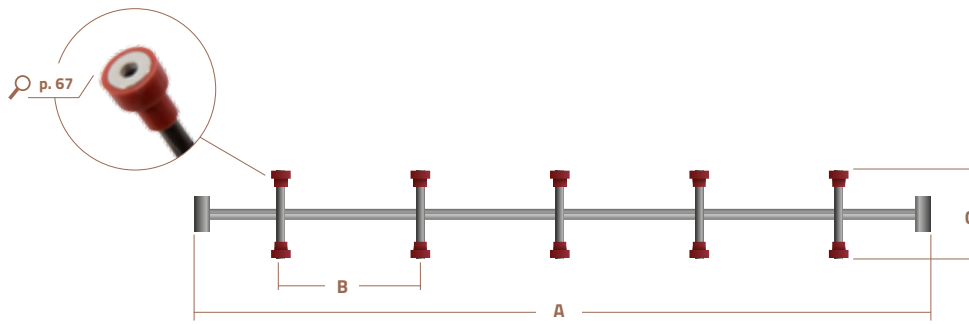


**PERSONAL SERVICE FROM EPIFATECH**

At Epifatech we adapt each product to suit specific customer requirements. With a personal contact and ongoing cooperation, we create optimised solutions that cover the entire production process.

Call us and we'll tell you more about how we work!  
Phone 0371-51 16 85 | [info@epifatech.se](mailto:info@epifatech.se)





DESIGN  
PATENT

## MAGNETIC STRUT

A magnetic strut with exchangeable magnets that are protected by an adapted silicone sleeve.

Art. No.	Amm	Bmm	Cmm
EPI-STMG	100-1500	20-	80

## STRUT WITH SQUARE TUBING, SMALL

Strut for arrowhead suspension.

Art. No.	Amm	Bmm	Cmm
EPI-STRL	100-1500	20-	50-

## STRUT WITH SQUARE TUBING, LARGE

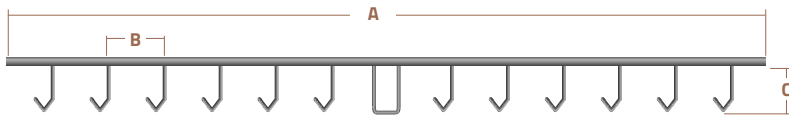
Strut for arrowhead suspension.

Art. No.	Amm	Bmm	Cmm
EPI-STRS	100-1500	20-	55

## STRUT WITH SLEEVE

Strut for exchangeable hooks, Z-hooks etc.

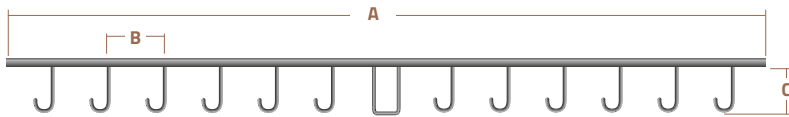
Art. No.	Amm	Bmm	Cmm
EPI-STH 2,2	100-1500	10-100	20 el. 40
EPI-STH 3,2	100-1500	10-100	20 el. 40
EPI-STH 4,2	100-1500	10-100	10-200



### STRUT 1

Strut with a double bent hook.

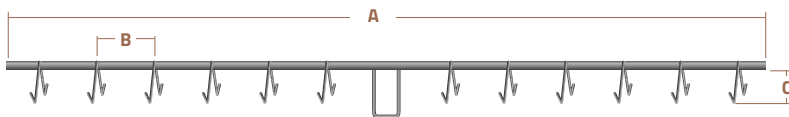
Art. No.	Amm	Bmm	Cmm
EPI-STG1	300-800	25-150	50



### STRUT 2

Strut with a round hook.

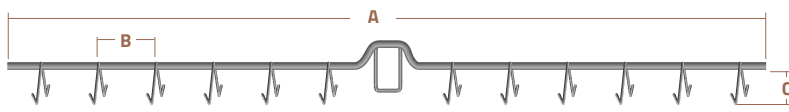
Art. No.	Amm	Bmm	Cmm
EPI-STG2	300-800	25-150	50



### STRUT 3

Strut for the simplified suspension system with a double hook for suspension on both sides.

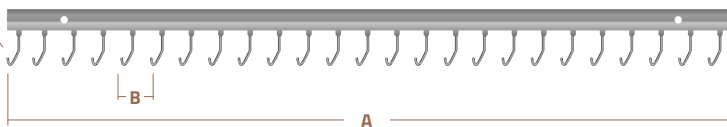
Art. No.	Amm	Bmm	Cmm
EPI-STG3	300-800	25-150	50



### STRUT 4

Strut for the simplified suspension system with a centred strut and double hook for suspension on both sides.

Art. No.	Amm	Bmm	Cmm
EPI-STG4	300-800	25-150	50



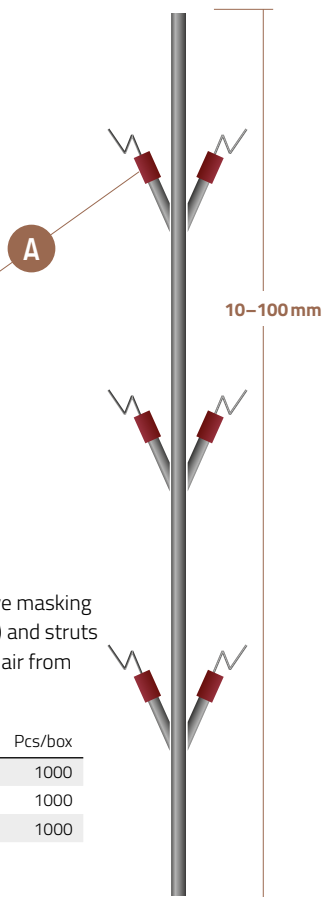
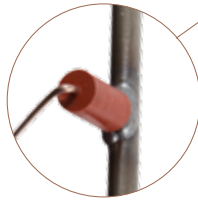
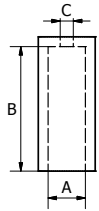
### FLEXIBLE METAL HOOK

A cost-effective metal hook in 1.0 mm metal for flexible suspension of small parts in large volumes. Can be used separately or as part of a suspension system.

Art. No.	Amm	Bmm
EPI-PLK	500	25

## SUSPENSION STRUT

A smaller version of the suspension system where the hooks are inserted directly into the rubber bracket. The hooks can be easily changed, making the system extremely adaptable.



### A: Silicone sleeve for steel tube

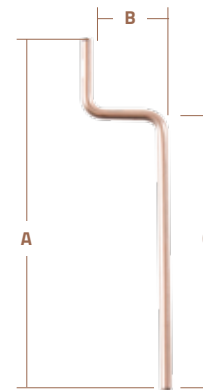
In addition to the suspension strut, steel sleeve masking can be used for suspension systems (page 28) and struts (page 30). The sleeve has a flat top to prevent air from entering and to avoid fluid accumulation.

Art. No.	Amm	Bmm	Cmm	Pcs/box
FC5,7X19X2	5.7	19	2	1000
FC7,8X19X2	7.8	19	2	1000
FC7,8X19X3,5	7.8	19	3.5	1000

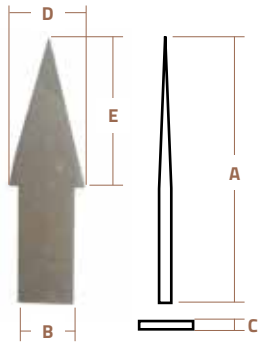
## Z-HOOK

A Z-hook fits our steel sleeves and is available in any desired size.

Art. No.	Amm	Bmm	Cmm	Pcs/box
Zkrok45x13x17x1,5	62	13	45	5000st
Zkrok45x13x17x2,0	62	13	45	4000st
Zkrok45x13x17x2,5	62	13 <td 45	2500st	
Zkrok45x13x17x3,0	62	13	45	2500st
Zkrok45x13x17x4,0	62	15	45	1000st

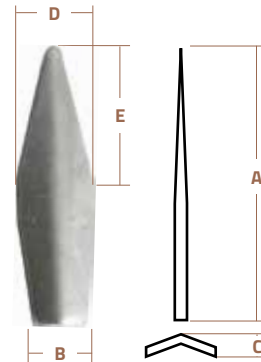






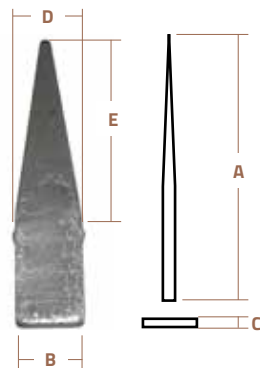
### ARROWHEAD FOR SQUARE PIPE, SMALL

Art. No.	Amm	Bmm	Cmm	Dmm	Emm
EPI-PSP 10x10	47	16	1.5	13	26



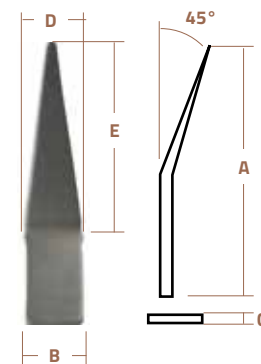
### COLD-FORGED ARROWHEAD

Art. No.	Amm	Bmm	Cmm	Dmm	Emm
EPI-PSS-1,5	67	16	5	18	32
EPI-PSS-2,0	67	16	5	18	32
EPI-PSS-3,0	67	16	5	18	32



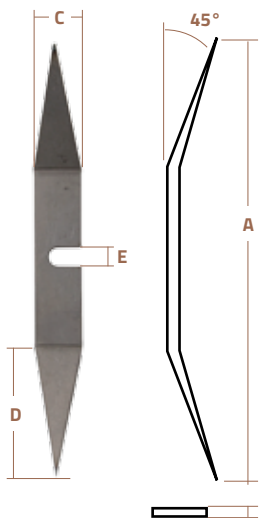
### STRAIGHT ARROWHEAD

Art. No.	Amm	Bmm	Cmm	Dmm	Emm
EPI-PSP-1,5	77	16	1.5	16	50
EPI-PSP-2,0	77	16	2.0	16	50
EPI-PSP-3,0	77	16	3.0	16	50



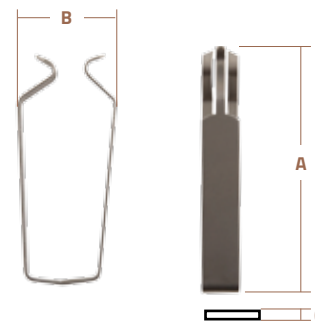
### 45° ANGLE ARROWHEAD

Art. No.	Amm	Bmm	Cmm	Dmm	Emm
EPI-PSP45-1,5	67	16	1.5	16	50
EPI-PSP45-2,0	67	16	2.0	16	50
EPI-PSP45-3,0	67	16	3.0	16	50



### DOUBLE ARROWHEAD

Art. No.	Amm	Bmm	Cmm	Dmm	Emm
DPS1.5	130	1.5	16	48	6
DPS2.0	130	2.0	16	48	6
DPS3.0	130	3.0	16	48	6



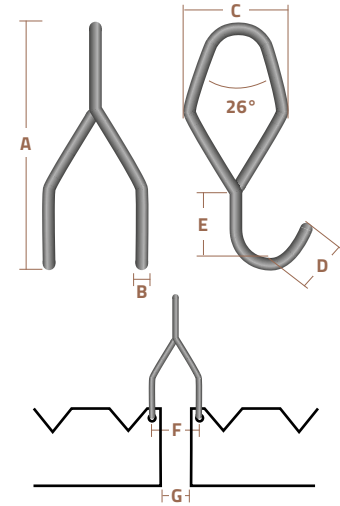
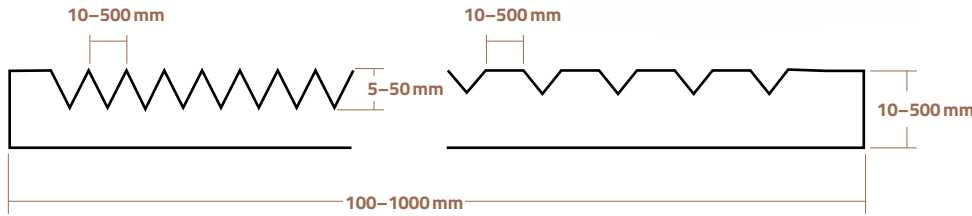
### STAINLESS STEEL METAL CLAMP

Can clamp onto an axle or a flat surface, e.g. metal sheet.

Art. No.	Amm	Bmm	Cmm
PKRO	85	40	1

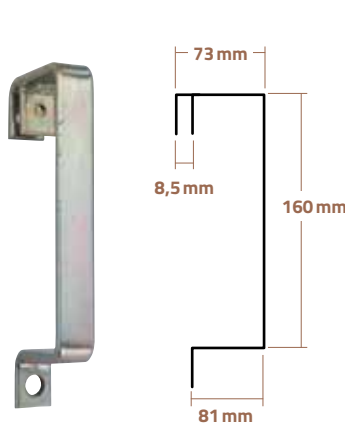
### CONVEYOR COMBS

Our different conveyor combs are available in a range of designs and dimensions based on requirements or adapted to existing systems. The image to the right shows a number of examples of the designs we have supplied.



### COMB HOOK

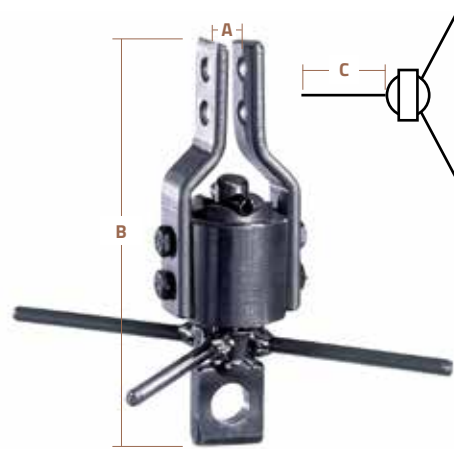
Art. No.	Amm	Bmm	Cmm	Dmm	Emm	Fmm	Gmm
KAMKROK	74	4	29	20	19,5	30	16



### CONVEYOR HOOK

A link hook from conveyor to comb.

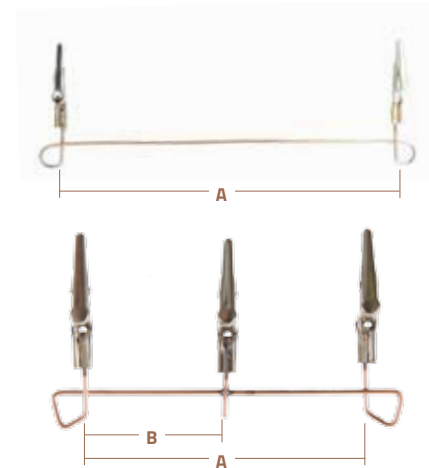
Art. No.	Wire diameter mm	Weight capacity
CONVK	6	150kg



### ROTATING CONVEYOR HOOK

A rotating head with stop points at 90° intervals. Can be fitted to a conveyor or operated manually.

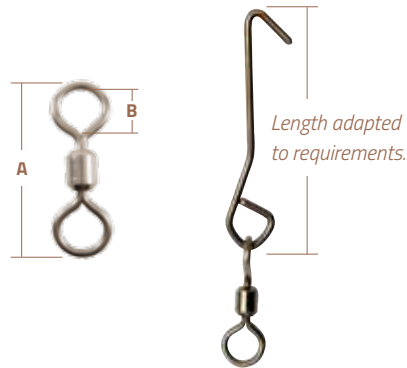
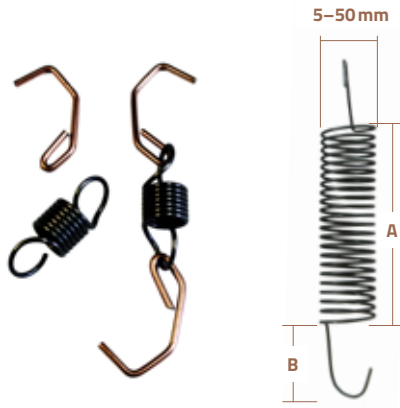
Art. No.	Amm	Bmm	Cmm	Weight capacity
ROTH	8	150	70	100kg



### CROCODILE CLAMPS

For attaching vertically suspended profiles. Allows the desired distance between the profiles to be maintained.

Art. No.	Amm	Bmm
2 KL100	100	
2 KL133	133	
2 KL150	150	
2 KL200	200	
3 KL100	100	50
3 KL133	133	66.5
3 KL150	150	75
3 KL200	200	100



## TENSION SPRING

A tension spring is fitted to the bottom of universal frames for attachment of light parts. Also available in desired dimensions.

Art. No.	Amm	Bmm	Wire diameter
DRF1	25	30	1.5
DRF2	50	50	1.5
DRF3K	25	30	2.0
DRF4	50	50	2.0

## ROTATING LINK

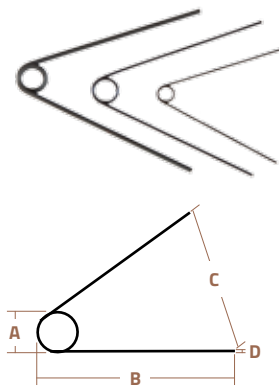
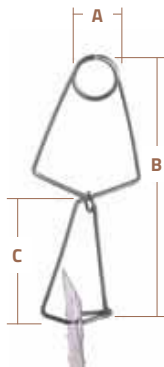
This simple rotating link is used to rotate a product. Available with or without a hook attached.

Art. No.	Amm	Bmm	Pcs/box
VL1	55	13	100

## THREADED SLEEVE

For suspension and masking of the thread.

Art. No.	Amm	Bmm	Cmm	Pcs/box
GH-M3x5	5	3	3	500
GH-M4x8	8	3	4	400
GH-M5x13	13	4	5	200
GH-M6x15	15	5	6	100
GH-M8x15	15	6	8	50
GH-M10x20	20	8	10	25
GH-M12x25	25	10	12	25
GH-M14x25	25	12	14	25
GH-M16x25	25 <td 14	16	25	
GH-M18x25	25	16	18	25
GH-M20x25	25	18	20	25
GH-M24x25	25	20	24	25



## CLAMP SPRING

A clamp spring for external tension mounting of aluminium profiles.

Art. No.	Amm	Bmm	Cmm
PROFKL	40	220	100

## TENSION SPRING

Tension springs for internal suspension.

Art. No.	Amm	Bmm	Cmm	Dmm
SPÄNN1,5	7.5	78.0	63.0	1.5
SPÄNN2,0	11.8	103.0	86.0	2.0
SPÄNN2,5	11.5	110.0	85.0	2.5
SPÄNN3,0	11.5	110.0	85.0	2.5

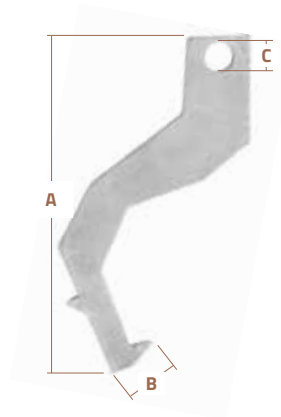
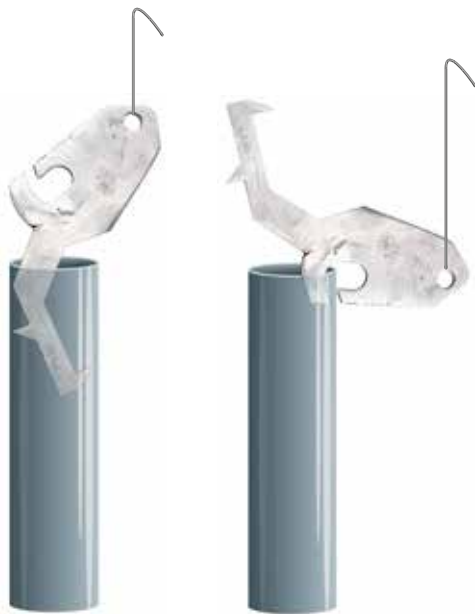
## RING SCREW

Screwed in and suspended through the eye.

Art. No.	Amm	Bmm	Cmm	Pcs/box
RS-M3x10	10	5	3	500
RS-M4x10	10	6	4	400
RS-M5x10	10	8	5	200
RS-M6x10	10	10	6	100
RS-M8x15	15	12	8	100
RS-M10x20	20	14	10	100
RS-M12x20	20	16	12	25

## METAL CLAMPS FOR INTERNAL SUSPENSION

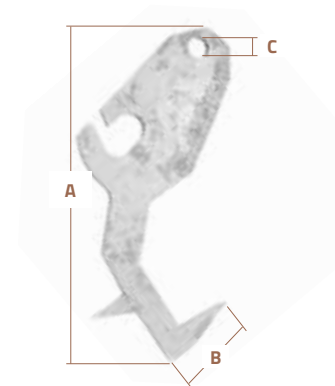
Universal clamps for suspension of pipes and sheet metal. Pipe dimensions 18-35 mm, sheet metal thickness 3.5 mm. Available from stock.



### UNIVERSAL CLAMP UNIV1

Universal clamp for internal suspension of pipes.

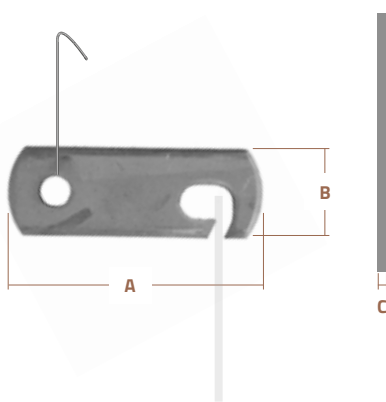
Art. No.	Amm	Bmm	Cmm	Pcs/box
UNIV1	100	15	6.5	500



### UNIVERSAL CLAMP UNIV2

Universal clamp for internal suspension of pipes.

Art. No.	Amm	Bmm	Cmm	Pcs/box
UNIV2	100	25	6.5	500



### CLIP

Universal clamp for internal suspension of pipes.

Art. No.	Amm	Bmm	Cmm
CLIPS1	71	25	3
CLIPS2	71	25	1.5



### UNIVERSAL CLAMP UNIV3

Universal clamp for internal suspension of pipes.

Art. No.	Amm	Bmm	Cmm	Pcs/box
UNIV3	100	32	6.5	500



### UNIVERSAL CLAMP UNIV4

Universal clamp for internal suspension of pipes.

Art. No.	Amm	Bmm	Cmm	Pcs/box
UNIV4	100	16	6.5	500

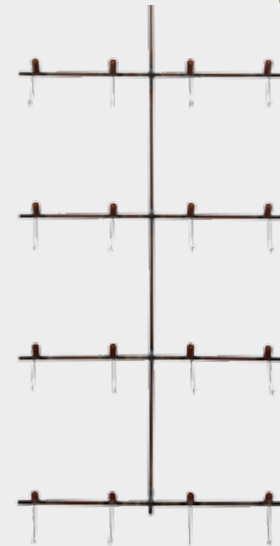
OPTIMISED *by* EPIFATECH



SPECIAL ATTACHMENT FOR WHEEL RIMS  
*Adapted to ensure the smallest possible hanging mark.*



PRODUCT-ADAPTED HANGER  
*Product-adapted hangers with built-in masking.*



UNIVERSAL HANGER  
*A universal hanger with exchangeable hooks. Allows the same hanger to be used with, for example, the Z-hook and standard hook.*



WIRE HANGER  
*Wire hangers for wheel rims for reduced hanging mark.*



TOWBAR SUSPENSION  
*Suspension of towbars with internal masking.*

## STORAGE SYSTEMS

Storage carts are manufactured according to the specific needs and wishes of the customer. We always use standard dimensions for EUR-pallets as a basis, making the carts easy to store and transport.

### A: Bottom frame in standard dimensions

The base on which the frame is built is always 1200x800 mm to fit a normal EUR-pallet.

### B: Side pillars

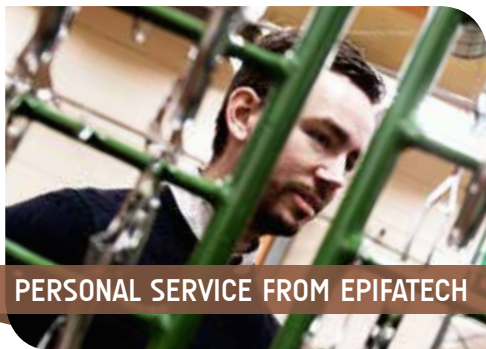
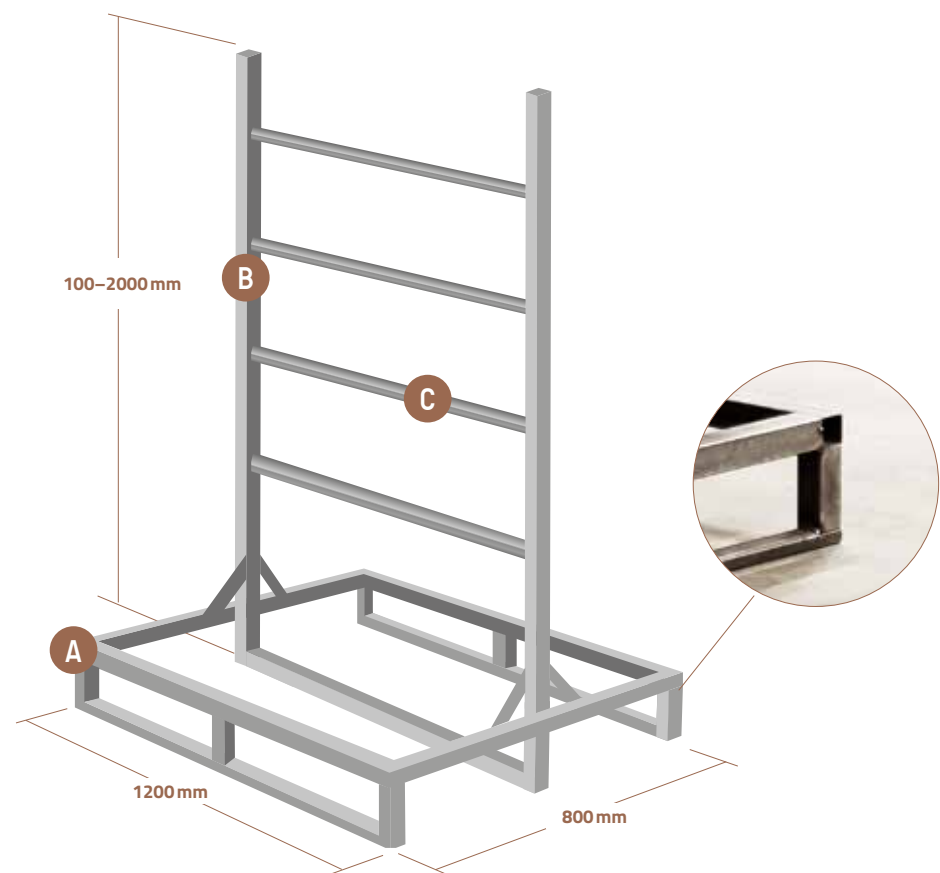
The height of the side pillars can be adapted depending on how/where the cart will be used and the available storage space.

### C: Adapted strut

Struts are adapted entirely in line with the product that is to be stored on the cart.

### D: Washing basket

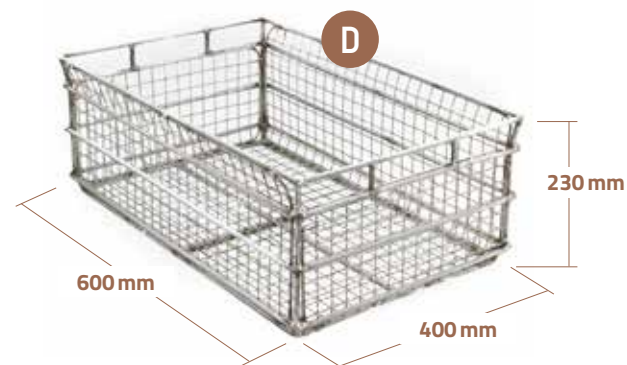
Washing basket in stainless, acid-proof material. The mesh openings are 15 mm and are made of 2.0 mm acid-proof wire.



## PERSONAL SERVICE FROM EPIFATECH

At Epifatech we adapt each product to suit specific customer requirements. With a personal contact and ongoing cooperation, we create optimised solutions that cover the entire production process.

*Call us and we'll tell you more about how we work!*  
Phone 0371-51 16 85 | [info@epifatech.se](mailto:info@epifatech.se)





Can hold  
up to  
**1 tonne**



*Rationalised production with an optimised storage system from Epifatech.*

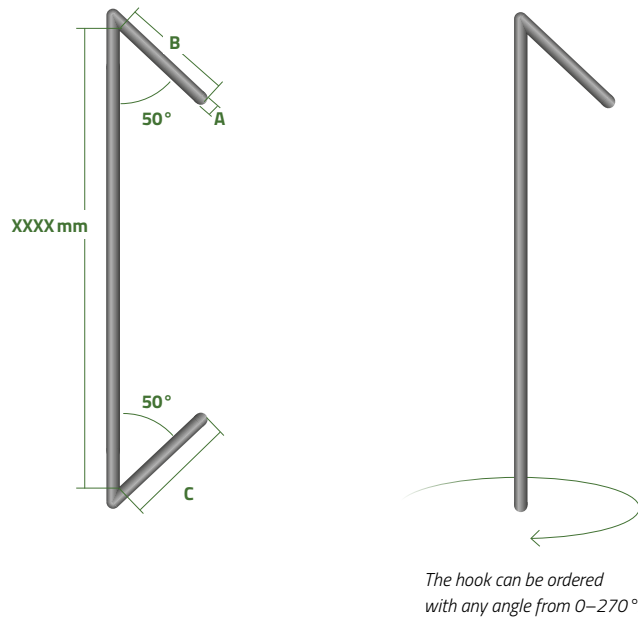






# Hooks

40-49



## HOOK 1 | 0-270°

Apart from the standard version, the hooks are also available with a specified angle. All at no extra cost. We also accept orders for other end versions with, for example, radiuses, zero angles etc. The final digit in the article number indicates the length of the hook (50-1200 mm).

Art. nr. 1 - A - XXXX  
 ↑ Hook length  
 ↑ Wire dimension  
 ↑ Type of hook

Art. No.	Dimension (A mm)	B mm	C mm	Weight capacity kg
1-012-xxxx	∅ 1.2	20	20	1.5
1-015-xxxx	∅ 1.5	20	20	4
1-020-xxxx	∅ 2.0	20	20	6
1-025-xxxx	∅ 2.5	20	20	8
1-030-xxxx	∅ 3.0	20	20	16
1-035-xxxx	∅ 3.5	20	20	16
1-040-xxxx	∅ 4.0	22	22	30
1-050-xxxx	∅ 5.0	22	22	50
1-060-xxxx	∅ 6.0	22	22	65
1-080-xxxx	∅ 8.0	23	23	90
1-100-xxxx	∅ 10.0	35	35	165
1-120-xxxx	∅ 12.0	35	35	245

## NUMBER OF HOOKS PER BOX\*

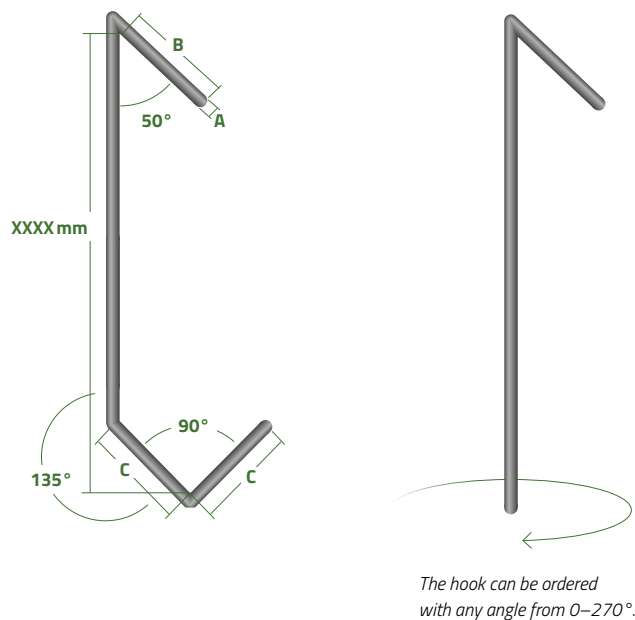
We think ergonomically. That is why our boxes are always optimised to weigh no more than 20 kg.

Length (mm)	50	60	75	100	150	200	250	300	350	400	450	500	550	600	700	800	900	1000
<b>Dimension (A mm)</b>																		
∅ 1.2	9000st	5000st	5000st	3500st	1500st	1500st	1800st	2000st	2000st	2000st	2000st							
∅ 1.5	8000st	5000st	5000st	3500st	1500st	1500st	1800st	1500st	1500st	2000st	2000st	2000st	2000st	2000st	2000st	2000st	1500st	
∅ 2.0	5000st	4000st	3500st	2000st	1250st	1500st	1250st	1000st	1250st	1250st	1250st	1250st	1250st	1250st	1250st	1250st	1000st	1000st
∅ 2.5	3000st	2500st	2000st	1500st	1000st	900st	800st	800st	1000st	1000st	1000st	1000st	1000st	1000st	1000st	1000st	700st	700st
∅ 3.0	3000st	2500st	2000st	1400st	800st	900st	800st	700st	800st	700st	800st	700st	800st	600st	500st	400st	400st	400st
∅ 4.0	1500st	1500st	1500st	1000st	500st	500st	500st	300st	300st	300st	300st	300st	300st	300st	300st	250st	250st	200st
∅ 5.0	1000st	1000st	1000st	800st	400st	400st	300st	300st	300st	300st	300st	300st	300st	250st	200st	200st	150st	100st
∅ 6.0	1000st	1000st	700st	700st	400st	350st	250st	200st	200st	200st	200st	200st	200st	200st	200st	200st	100st	100st
∅ 8.0			300st	200st	100st	100st	100st	100st	100st	100st	100st	100st	100st	100st	100st	50st	50st	50st
∅ 10.0			200st	200st	150st	100st	100st	50st	50st	50st	50st	50st	50st	50st	50st	50st	50st	50st
∅ 12.0					100st	100st	100st	50st	50st	25st	25st	25st	25st	25st	25st	20st	20st	20st

\*The number of hooks applies to angles 0° and 180°. Contact us for information about the number of hooks/box for other angles.

## HOOK 2 | 0-270°

Apart from the standard version, the hooks are also available with a specified angle. All at no extra cost. We also accept orders for other end versions with, for example, radiuses, zero angles etc. The final digit in the article number indicates the length of the hook (50-1200 mm).



Art. nr. 2 - A - XXXX  
 ↑ Hook length  
 ↑ Wire dimension  
 ↑ Type of hook

Art. No.	Dimension (A mm)	B mm	C mm	Weight capacity kg
2-012-xxxx	ø 1.2	20	17*	1.5
2-015-xxxx	ø 1.5	20	17*	4
2-020-xxxx	ø 2.0	20	17*	6
2-025-xxxx	ø 2.5	20	17*	8
2-030-xxxx	ø 3.0	20	17*	16
2-035-xxxx	ø 3.5	20	17	16
2-040-xxxx	ø 4.0	22	20	30
2-050-xxxx	ø 5.0	22	20	50
2-060-xxxx	ø 6.0	22	20	65
2-080-xxxx	ø 8.0	23	30	90
2-100-xxxx	ø 10.0	35	35	165
2-120-xxxx	ø 12.0	35	35	245

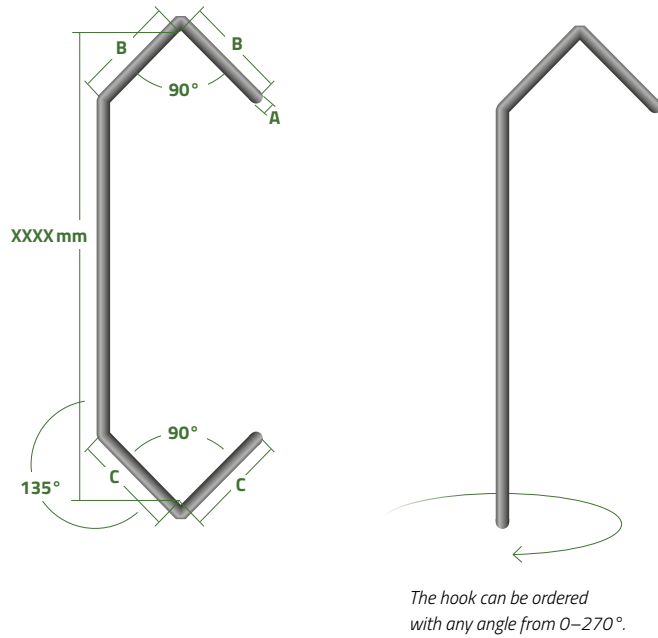
\*Hooks with dimensions ø 1.2–3.0 mm are also available with C dimensions = 11 or 20 mm.

## NUMBER OF HOOKS PER BOX\*

We think ergonomically. That is why our boxes are always optimised to weigh no more than 20 kg.

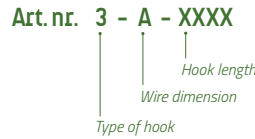
Length (mm)	50	60	75	100	150	200	250	300	350	400	450	500	550	600	700	800	900	1000
<b>Dimension (A mm)</b>																		
ø 1.2	9000st	5000st	5000st	3500st	1500st	1500st	1800st	2000st	2000st	2000st	2000st							
ø 1.5	8000st	5000st	5000st	3500st	1500st	1500st	1800st	1500st	1500st	2000st	2000st	2000st	2000st	2000st	2000st	2000st	1500st	
ø 2.0	5000st	4000st	3500st	2000st	1250st	1500st	1250st	1000st	1250st	1250st	1250st	1250st	1250st	1250st	1250st	1250st	1000st	1000st
ø 2.5	3000st	2500st	2000st	1500st	1000st	900st	800st	800st	1000st	1000st	1000st	1000st	1000st	1000st	1000st	1000st	700st	700st
ø 3.0	3000st	2500st	2000st	1400st	800st	900st	800st	700st	800st	700st	800st	700st	800st	600st	500st	400st	400st	400st
ø 4.0	1500st	1500st	1500st	1000st	500st	500st	500st	300st	300st	300st	300st	300st	300st	300st	300st	250st	250st	200st
ø 5.0	1000st	1000st	1000st	800st	400st	400st	300st	300st	300st	300st	300st	300st	300st	250st	200st	200st	150st	100st
ø 6.0	1000st	1000st	700st	700st	400st	350st	250st	200st	200st	200st	200st	200st	200st	200st	200st	200st	100st	100st
ø 8.0			300st	200st	100st	100st	100st	100st	100st	100st	100st	100st	100st	100st	100st	50st	50st	50st
ø 10.0			200st	200st	150st	100st	100st	50st	50st	50st	50st	50st	50st	50st	50st	50st	50st	50st
ø 12.0					100st	100st	100st	50st	50st	25st	25st	25st	25st	25st	25st	20st	20st	20st

\*The number of hooks applies to angles 0° and 180°. Contact us for information about the number of hooks/box for other angles.



### HOOK 3 | 0-270°

Apart from the standard version, the hooks are also available with a specified angle. All at no extra cost. We also accept orders for other end versions with, for example, radiuses, zero angles etc. The final digit in the article number indicates the length of the hook (50-1200 mm).



Art. No.	Dimension (A mm)	B mm	C mm	Weight capacity kg
3-012-xxxx	ø 1.2	17	17*	1.5
3-015-xxxx	ø 1.5	17	17*	4
3-020-xxxx	ø 2.0	17	17*	6
3-025-xxxx	ø 2.5	17	17*	8
3-030-xxxx	ø 3.0	17	17*	16
3-035-xxxx	ø 3.5	20	20	16
3-040-xxxx	ø 4.0	20	20	30
3-050-xxxx	ø 5.0	20	20	50
3-060-xxxx	ø 6.0	20	20	65
3-080-xxxx	ø 8.0	30	30	90
3-100-xxxx	ø 10.0	35	35	165
3-120-xxxx	ø 12.0	35	35	245

\*Hooks with dimensions ø 1.2–3.0 mm are also available with C dimensions = 11 or 20 mm.

### NUMBER OF HOOKS PER BOX\*

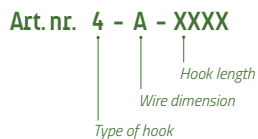
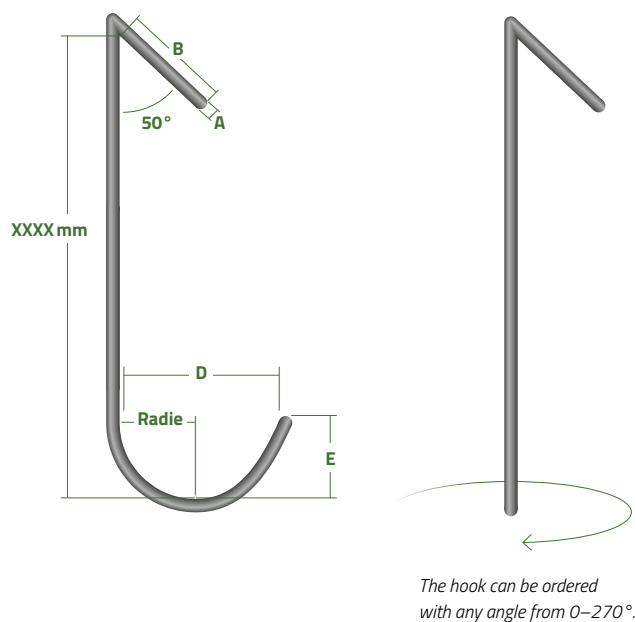
We think ergonomically. That is why our boxes are always optimised to weigh no more than 20 kg.

Length (mm)	50	60	75	100	150	200	250	300	350	400	450	500	550	600	700	800	900	1000
<b>Dimension (A mm)</b>																		
ø 1.2	9000st	5000st	5000st	3500st	1500st	1500st	1800st	2000st	2000st	2000st	2000st							
ø 1.5	8000st	5000st	5000st	3500st	1500st	1500st	1800st	1500st	1500st	2000st	2000st	2000st	2000st	2000st	2000st	2000st	1500st	
ø 2.0	5000st	4000st	3500st	2000st	1250st	1500st	1250st	1000st	1250st	1250st	1250st	1250st	1250st	1250st	1250st	1250st	1000st	1000st
ø 2.5	3000st	2500st	2000st	1500st	1000st	900st	800st	800st	1000st	1000st	1000st	1000st	1000st	1000st	1000st	1000st	700st	700st
ø 3.0	3000st	2500st	2000st	1400st	800st	900st	800st	700st	800st	700st	800st	700st	800st	600st	500st	400st	400st	400st
ø 4.0	1500st	1500st	1500st	1000st	500st	500st	500st	300st	300st	300st	300st	300st	300st	300st	300st	250st	250st	200st
ø 5.0	1000st	1000st	1000st	800st	400st	400st	300st	300st	300st	300st	300st	300st	300st	250st	200st	200st	150st	100st
ø 6.0	1000st	1000st	700st	700st	400st	350st	250st	200st	200st	200st	200st	200st	200st	200st	200st	200st	100st	100st
ø 8.0			300st	200st	100st	100st	100st	100st	100st	100st	100st	100st	100st	100st	100st	50st	50st	50st
ø 10.0			200st	200st	150st	100st	100st	50st	50st	50st	50st	50st	50st	50st	50st	50st	50st	50st
ø 12.0					100st	100st	100st	50st	50st	25st	25st	25st	25st	25st	25st	20st	20st	20st

\*The number of hooks applies to angles 0° and 180°. Contact us for information about the number of hooks/box for other angles.

### HOOK 4 | 0-270°

Apart from the standard version, the hooks are also available with a specified angle. All at no extra cost. We also accept orders for other end versions with, for example, radiuses, zero angles etc. The final digit in the article number indicates the length of the hook (50-1200 mm).



Art. No.	Dimension (Amm)	Bmm	Radie	Dmm	Emm	ViktKapacitet kg
4-012-xxxxR6	∅ 1.2	20	6	15	10	1.5
4-015-xxxxR6	∅ 1.5	20	6	15	10	4
4-020-xxxxR6	∅ 2.0	20	6	15	10	6
4-025-xxxxR6	∅ 2.5	20	6	15	10	8
4-030-xxxxR6	∅ 3.0	20	6	15	10	16
4-012-xxxx	∅ 1.2	20	8*	21	14*	1.5
4-015-xxxx	∅ 1.5	20	8*	21	14*	4
4-020-xxxx	∅ 2.0	20	8*	21	14*	6
4-025-xxxx	∅ 2.5	20	8*	21	14*	8
4-030-xxxx	∅ 3.0	20	8*	21	14*	16
4-035-xxxx	∅ 3.5	20	8	21	14	16
4-040-xxxx	∅ 4.0	22	12	30	21	30
4-050-xxxx	∅ 5.0	22	12	30	21	50
4-060-xxxx	∅ 6.0	22	12	30	21	65
4-080-xxxx	∅ 8.0	23	16	37	32	90
4-100-xxxx	∅ 10.0	35	25	59	51	165
4-120-xxxx	∅ 12.0	35	25	59	51	245

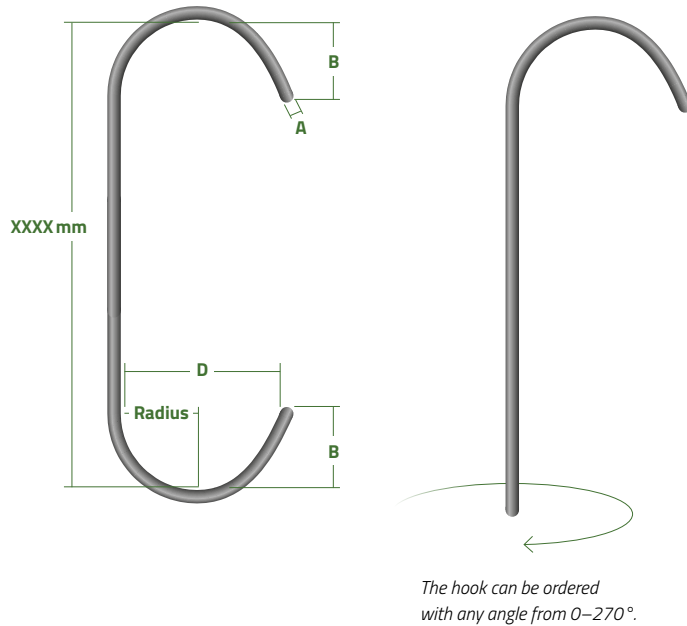
\*Hooks with dimensions ∅ 1.2-3.0 mm are also available with a radius = 6, 11 or 12 mm. and D dimensions = 10 or 18 mm.

### NUMBER OF HOOKS PER BOX\*

We think ergonomically. That is why our boxes are always optimised to weigh no more than 20 kg.

Length (mm)	50	60	75	100	150	200	250	300	350	400	450	500	550	600	700	800	900	1000
Dimension (A mm)																		
∅ 1.2	9000st	5000st	5000st	3500st	1500st	1500st	1800st	2000st	2000st	2000st	2000st							
∅ 1.5	8000st	5000st	5000st	3500st	1500st	1500st	1800st	1500st	1500st	2000st	2000st	2000st	2000st	2000st	2000st	2000st	1500st	
∅ 2.0	5000st	4000st	3500st	2000st	1250st	1500st	1250st	1000st	1250st	1250st	1250st	1250st	1250st	1250st	1250st	1250st	1000st	1000st
∅ 2.5	3000st	2500st	2000st	1500st	1000st	900st	800st	800st	1000st	1000st	1000st	1000st	1000st	1000st	1000st	1000st	700st	700st
∅ 3.0	3000st	2500st	2000st	1400st	800st	900st	800st	700st	800st	700st	800st	700st	800st	600st	500st	400st	400st	400st
∅ 4.0	1500st	1500st	1500st	1000st	500st	500st	500st	300st	300st	300st	300st	300st	300st	300st	300st	250st	250st	200st
∅ 5.0	1000st	1000st	1000st	800st	400st	400st	300st	300st	300st	300st	300st	300st	300st	250st	200st	200st	150st	100st
∅ 6.0	1000st	1000st	700st	700st	400st	350st	250st	200st	200st	200st	200st	200st	200st	200st	200st	200st	100st	100st
∅ 8.0			300st	200st	100st	100st	100st	100st	100st	100st	100st	100st	100st	100st	100st	50st	50st	50st
∅ 10.0			200st	200st	150st	100st	100st	50st	50st	50st	50st	50st	50st	50st	50st	50st	50st	50st
∅ 12.0					100st	100st	100st	50st	50st	25st	25st	25st	25st	25st	25st	20st	20st	20st

\*The number of hooks applies to angles 0° and 180°. Contact us for information about the number of hooks/box for other angles.



### HOOK 5 | 0-270°

Apart from the standard version, the hooks are also available with a specified angle. All at no extra cost. We also accept orders for other end versions with, for example, radiuses, zero angles etc. The final digit in the article number indicates the length of the hook (50-1200 mm).

Art. nr. 5 - A - XXXX

Type of hook  
Wire dimension  
Hook length

Art. No.	Dimension (A mm)	B mm	Radius	D mm	Weight capacity kg
5-012-xxxxR6	ø 1.2	10	6	15	1.5
5-015-xxxxR6	ø 1.5	10	6	15	4
5-020-xxxxR6	ø 2.0	10	6	15	6
5-025-xxxxR6	ø 2.5	10	6	15	8
5-030-xxxxR6	ø 3.0	10	6	15	16
5-012-xxxx	ø 1.2	14*	8*	21	1.5
5-015-xxxx	ø 1.5	14*	8*	21	4
5-020-xxxx	ø 2.0	14*	8*	21	6
5-025-xxxx	ø 2.5	14*	8*	21	8
5-030-xxxx	ø 3.0	14*	8*	21	16
5-035-xxxx	ø 3.5	21	12	30	16
5-040-xxxx	ø 4.0	21	12	30	30
5-050-xxxx	ø 5.0	21	12	30	50
5-060-xxxx	ø 6.0	21	12	30	65
5-080-xxxx	ø 8.0	23	16	37	90
5-100-xxxx	ø 10.0	50	25	59	165
5-120-xxxx	ø 12.0	50	25	59	245

\*Hooks with dimensions ø 1.2–3.0 mm are also available with a radius = 11 or 12 mm.

### NUMBER OF HOOKS PER BOX\*

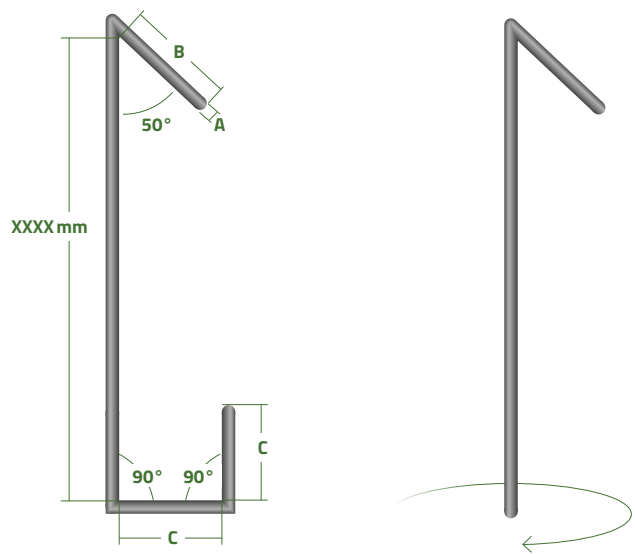
We think ergonomically. That is why our boxes are always optimised to weigh no more than 20 kg.

Length (mm)	50	60	75	100	150	200	250	300	350	400	450	500	550	600	700	800	900	1000
<b>Dimension (A mm)</b>																		
ø 1.2	9000st	5000st	5000st	3500st	1500st	1500st	1800st	2000st	2000st	2000st	2000st	2000st	2000st	2000st	2000st	2000st	1500st	
ø 1.5	8000st	5000st	5000st	3500st	1500st	1500st	1800st	1500st	1500st	2000st	2000st	2000st	2000st	2000st	2000st	2000st	1500st	
ø 2.0	5000st	4000st	3500st	2000st	1250st	1500st	1250st	1000st	1250st	1250st	1250st	1250st	1250st	1250st	1250st	1250st	1000st	1000st
ø 2.5	3000st	2500st	2000st	1500st	1000st	900st	800st	800st	1000st	1000st	1000st	1000st	1000st	1000st	1000st	1000st	700st	700st
ø 3.0	3000st	2500st	2000st	1400st	800st	900st	800st	700st	800st	700st	800st	700st	800st	600st	500st	400st	400st	400st
ø 4.0	1500st	1500st	1500st	1000st	500st	500st	500st	300st	300st	300st	300st	300st	300st	300st	300st	250st	250st	200st
ø 5.0	1000st	1000st	1000st	800st	400st	400st	300st	300st	300st	300st	300st	300st	300st	250st	200st	200st	150st	100st
ø 6.0	1000st	1000st	700st	700st	400st	350st	250st	200st	200st	200st	200st	200st	200st	200st	200st	200st	100st	100st
ø 8.0			300st	200st	100st	100st	100st	100st	100st	100st	100st	100st	100st	100st	100st	50st	50st	50st
ø 10.0			200st	200st	150st	100st	100st	50st	50st	50st	50st	50st	50st	50st	50st	50st	50st	50st
ø 12.0					100st	100st	100st	50st	50st	25st	25st	25st	25st	25st	25st	20st	20st	20st

\*The number of hooks applies to angles 0° and 180°. Contact us for information about the number of hooks/box for other angles.

### HOOK 6 | 0-270°

Apart from the standard version, the hooks are also available with a specified angle. All at no extra cost. We also accept orders for other end versions with, for example, radiuses, zero angles etc. The final digit in the article number indicates the length of the hook (50-1200 mm).



The hook can be ordered with any angle from 0-270°.

Art. nr. **6 - A - XXXX**  
 ↑ Hook length  
 ↑ Wire dimension  
 ↑ Type of hook

Art. No.	Dimension (A mm)	B mm	C mm	Weight capacity kg
6-012-xxxx	∅ 1.2	20*	16/16	1.5
6-015-xxxx	∅ 1.5	20*	16/16	4
6-020-xxxx	∅ 2.0	20*	16/16	6
6-025-xxxx	∅ 2.5	20*	16/16	8
6-030-xxxx	∅ 3.0	20*	16/16	16
6-035-xxxx	∅ 3.5	20	16/16	16
6-040-xxxx	∅ 4.0	22	25/25	30
6-050-xxxx	∅ 5.0	22	25/25	50
6-060-xxxx	∅ 6.0	22	25/25	65
6-080-xxxx	∅ 8.0	23	30/30	90
6-100-xxxx	∅ 10.0	35	35/35	165
6-120-xxxx	∅ 12.0	35	50/50	245

### NUMBER OF HOOKS PER BOX\*

We think ergonomically. That is why our boxes are always optimised to weigh no more than 20 kg.

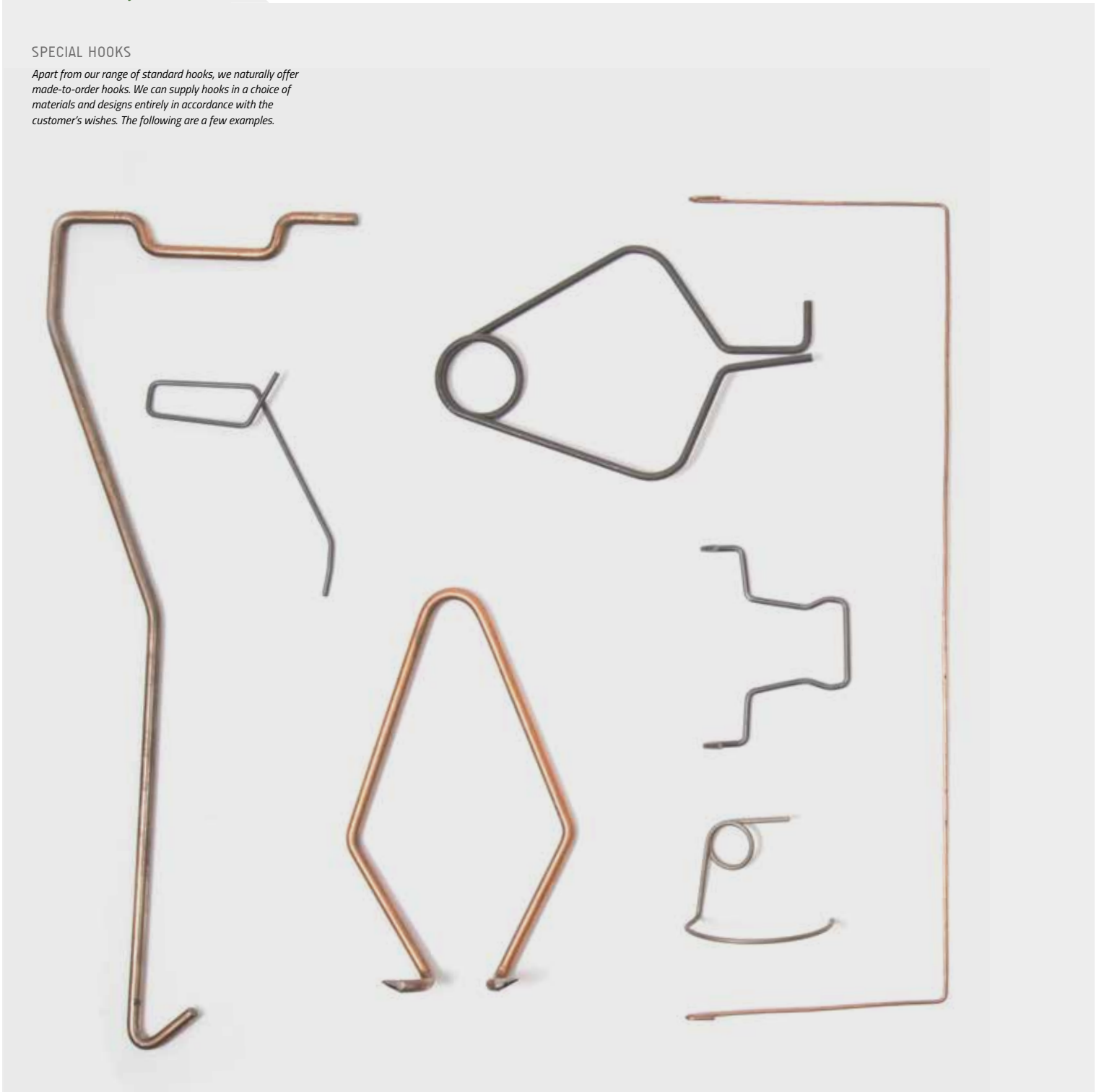
Length (mm)	50	60	75	100	150	200	250	300	350	400	450	500	550	600	700	800	900	1000
<b>Dimension (A mm)</b>																		
∅ 1.2	9000st	5000st	5000st	3500st	1500st	1500st	1800st	2000st	2000st	2000st	2000st							
∅ 1.5	8000st	5000st	5000st	3500st	1500st	1500st	1800st	1500st	1500st	2000st	2000st	2000st	2000st	2000st	2000st	2000st	1500st	
∅ 2.0	5000st	4000st	3500st	2000st	1250st	1500st	1250st	1000st	1250st	1250st	1250st	1250st	1250st	1250st	1250st	1250st	1000st	1000st
∅ 2.5	3000st	2500st	2000st	1500st	1000st	900st	800st	800st	1000st	1000st	1000st	1000st	1000st	1000st	1000st	1000st	700st	700st
∅ 3.0	3000st	2500st	2000st	1400st	800st	900st	800st	700st	800st	700st	800st	700st	800st	600st	500st	400st	400st	400st
∅ 4.0	1500st	1500st	1500st	1000st	500st	500st	500st	300st	300st	300st	300st	300st	300st	300st	300st	250st	250st	200st
∅ 5.0	1000st	1000st	1000st	800st	400st	400st	300st	300st	300st	300st	300st	300st	300st	250st	200st	200st	150st	100st
∅ 6.0	1000st	1000st	700st	700st	400st	350st	250st	200st	200st	200st	200st	200st	200st	200st	200st	200st	100st	100st
∅ 8.0			300st	200st	100st	100st	100st	100st	100st	100st	100st	100st	100st	100st	100st	50st	50st	50st
∅ 10.0			200st	200st	150st	100st	100st	50st	50st	50st	50st	50st	50st	50st	50st	50st	50st	50st
∅ 12.0					100st	100st	100st	50st	50st	25st	25st	25st	25st	25st	25st	20st	20st	20st

\*The number of hooks applies to angles 0° and 180°. Contact us for information about the number of hooks/box for other angles.

OPTIMISED *by* EPIFATECH

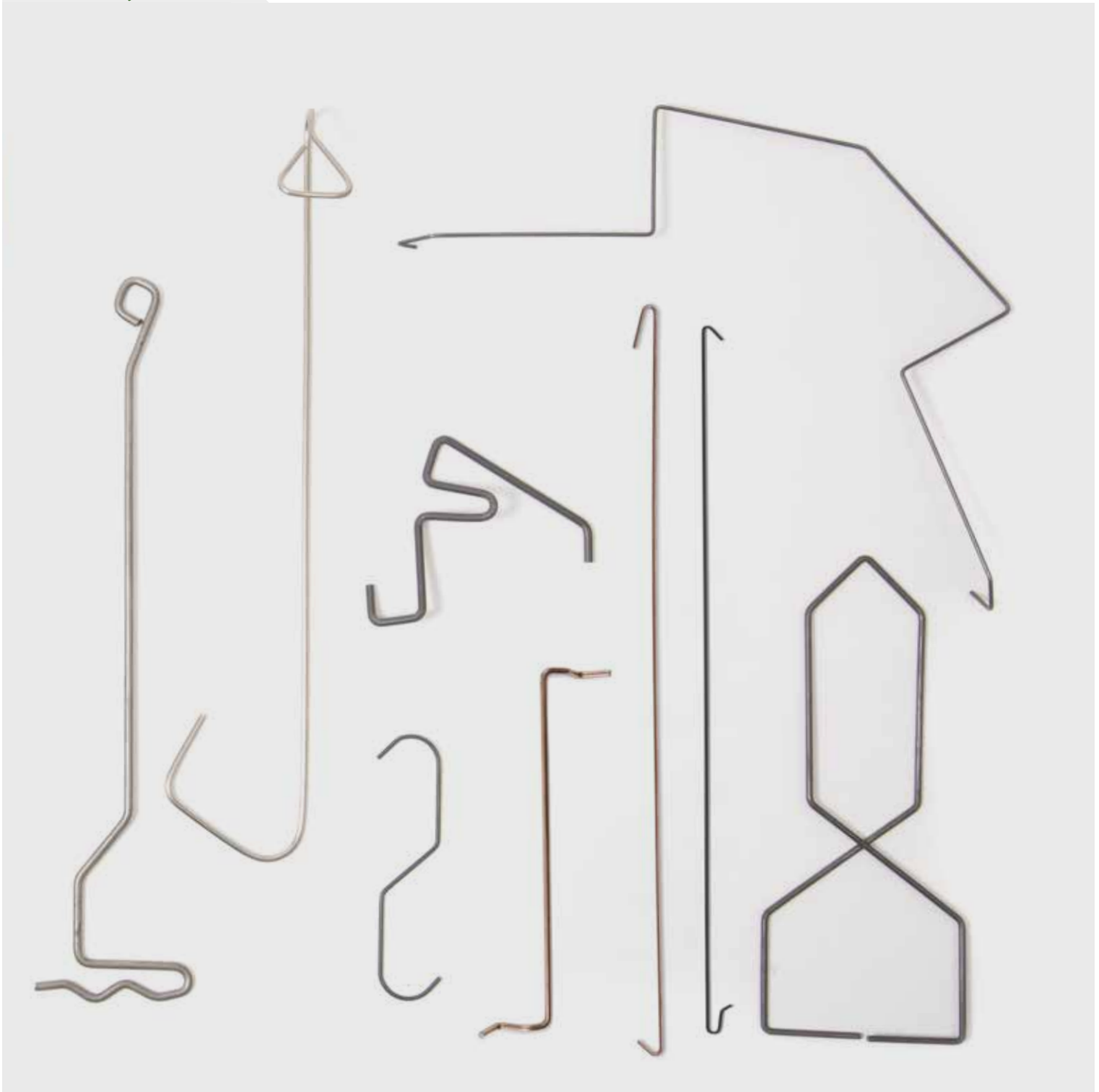
SPECIAL HOOKS

*Apart from our range of standard hooks, we naturally offer made-to-order hooks. We can supply hooks in a choice of materials and designs entirely in accordance with the customer's wishes. The following are a few examples.*





OPTIMISED *by* EPIFATECH

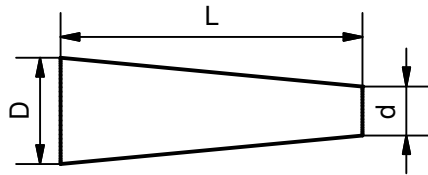






# Masking for holes and axles

50-73



### CONICAL PLUG

Conical plug for threaded or smooth holes.

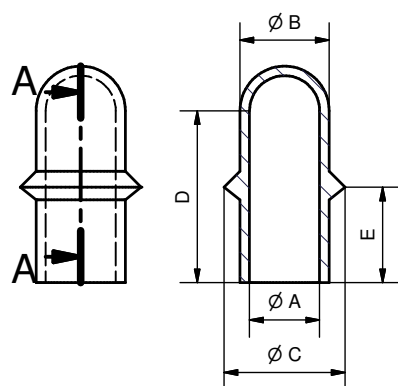
Art. No.	D mm	d mm	L mm	Fits	Pcs/box
KP-63-625	1.60	0.41	15.88	M2	1000
KP-78-750	1.98	0.51	19.05	M2	1000
KP-78-1000	1.98	0.51	25.40	M2	1000
KP-100-625	2.54	0.81	15.88	M2	1000
KP-100-1000	2.54	0.81	25.40	M2	1000
KP-125	3.18	0.79	15.88	M2	1000
KP-125-625	3.18	1.60	15.88	M3	1000
KP-177-591	4.50	1.50	15.01	M3	1000
KP-187-394	4.75	2.79	10.01	M3	1000
KP-187-625	4.75	1.60	15.88	M4	1000
KP-187-750	4.75	1.60	19.05	M4	1000
KP-188-2200	4.78	1.19	55.88	M4	1000
KP-197-1100	5.00	1.19	27.89	M4	1000
KP-200-750	5.08	1.60	19.05	M4	1000
KP-216-1500	5.49	1.19	38.10	M4	1000
KP-218-250	5.54	4.70	6.35	M4	1000
KP-250-750	6.35	3.18	19.05	M5	1000
KP-250-1000	6.35	3.18	25.40	M5	1000
KP-276-787	7.01	3.00	19.99	M5	1000
KP-315-787	8.00	3.99	19.99	M5	1000
KP-343-625	8.71	4.78	15.88	M6	1000
KP-343-750	8.71	4.78	19.05	M6	1000
KP-343-1000	8.71	4.78	25.40	M6	1000
KP-354-984	8.99	4.50	24.99	M6	1000
KP-375-500	9.53	6.35	12.70	M8	1000
KP-375-750	9.53	6.35	19.05	M8	1000
KP-375-1000	9.53	6.35	25.40	M8	1000
KP-375-1250	9.53	3.18	31.75	M8	1000

Art. No.	D mm	d mm	L mm	Fits	Pcs/box
KP-393-787	9.98	6.00	19.99	M8	1000
KP-394-1890	10.01	5.00	48.01	M8	1000
KP-395-1969	10.03	5.00	50.01	M8	1000
KP-433-748	11.00	8.00	19.00	M8	1000
KP-433-1063	11.00	8.00	27.00	M8	1000
KP-437-1000	11.10	6.35	25.40	M10	500
KP-438-688	11.13	8.74	17.48	M10	500
KP-438-748	11.13	8.99	19.00	M10	500
KP-469-813	11.91	8.74	20.65	M10	500
KP-472-748	11.99	8.99	19.00	M12	500
KP-473-787	12.01	7.90	19.99	M12	500
KP-487-748	12.37	8.99	19.00	M12	500
KP-500-813	12.70	7.92	20.65	M12	500
KP-500-1000	12.70	7.90	25.40	M12	500
KP-500-2000	12.70	3.20	50.80	M12	500
KP-512-984	13.00	8.99	24.99	M12	500
KP-512-1125	13.00	7.95	28.58	M12	500
KP-562-1125	14.27	7.95	28.58	M12	500
KP-563-1000	14.30	9.53	25.40	M14	500
KP-591-787	15.01	11.00	19.99	M14	500
KP-594-1000	15.09	10.31	25.40	M14	500
KP-625-813	15.88	11.10	20.65	M16	500
KP-625-875	15.88	11.13	22.23	M16	500
KP-625-1000	15.88	12.70	25.40	M16	500
KP-656-1000	16.66	12.70	25.40	M16	500
KP-669-1000	16.99	13.00	25.40	M18	250
KP-687-787	17.45	14.00	19.99	M18	250
KP-687-1000	17.45	11.13	25.40	M18	250
KP-709-787	18.01	14.00	19.99	M18	250
KP-748-1000	19.00	14.27	25.40	M20	250
KP-787-1000	19.99	15.88	25.40	M20	250
KP-800-625	20.32	15.88	15.88	M20	250
KP-812-1000	20.62	15.88	25.40	M20	250
KP-827-1000	21.01	16.00	25.40	M20	250
KP-925-750	23.50	19.05	19.05	100	
KP-925-1000	23.50	19.05	25.40	100	
KP-938-1000	23.83	18.26	25.40	100	
KP-945-750	24.00	19.20	19.05	100	
KP-946-1181	24.03	18.01	30.00	100	
KP-990-795	25.15	22.40	20.19	100	
KP-990-885	25.15	19.99	22.48	100	
KP-1000-1000	25.40	19.84	25.40	100	

## CONICAL PLUG, CONTINUED

Art. No.	D mm	d mm	L mm	Fits	Pcs/box
KP-1024-795	26.01	22.35	20.19		100
KP-1024-1000	26.01	19.99	25.40		100
KP-1062-0984	26.97	22.00	24.99		100
KP-1063-1000	27.00	23.01	25.40		100
KP-1100-1000	27.94	23.83	25.40		100
KP-1102-2000	27.99	19.05	50.80		100
KP-1181-1000	30.00	27.79	25.40		100
KP-1220-1181	30.99	24.99	30.00		100
KP-1250-1000	31.75	26.19	25.40		100
KP-1313-1000	33.35	27.00	25.40		100
KP-1338-1000	33.99	27.00	25.40		50
KP-1438-1000	36.53	30.18	25.40		50
KP-1456-1000	36.98	30.18	25.40		50
KP-1496-1378	38.00	30.99	35.00		50
KP-1531-1000	38.89	31.75	25.40		50
KP-1614-1000	41.00	33.02	25.40		50
KP-1615-1378	41.02	34.01	35.00		50
KP-1625-1000	41.28	33.35	25.40		50
KP-1688-1000	42.88	35.71	25.40		50
KP-1732-1575	43.99	36.00	40.01		50

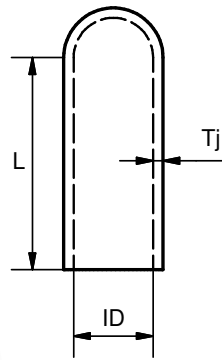
Art. No.	D mm	d mm	L mm	Fits	Pcs/box
KP-1750-1000	44.45	37.31	25.40		50
KP-1772-1000	45.01	37.01	25.40		50
KP-1813-1000	46.05	38.10	25.40		50
KP-1929-1575	49.00	41.00	40.01		50
KP-1969-1000	50.01	41.28	25.40		50
KP-2063-1000	52.40	44.45	25.40		20
KP-2086-1000	52.98	44.96	25.40		20
KP-2165-1575	54.99	46.99	40.01		20
KP-2203-1000	55.96	47.63	25.40		20
KP-2362-1772	59.99	50.00	45.01		20
KP-2469-1000	62.71	50.01	25.40		20
KP-2480-1000	62.99	50.01	25.40		20
KP-2500-1000	63.50	53.98	25.40		20
KP-2688-1000	68.28	57.94	25.40		20
KP-2953-1375	75.01	61.93	34.93		20
KP-3500-1500	88.90	76.20	38.10		20
KP-3543-1535	89.99	75.01	38.99		20
KP-4000-1500	101.60	82.55	38.10		20
KP-4055-1535	103.00	82.98	38.99		20
KP-5000-2000	127.00	88.90	50.80		20



## SLEEVE WITH FLANGE

A sleeve with a flange that protects the entry hole. For threaded or smooth holes.

Art. No.	A mm	B mm	C mm	D mm	E mm	Pcs/box
HMF-M8	4.39	7.39	11.99	30.99	11.99	250
HMF-M10	5.69	8.71	14.71	32.00	13.00	250
HMF-M12	7.65	10.69	15.80	33.02	14.00	250
HMF-M12L	8.00	10.69	15.80	45.66	14.00	250
HMF-M14	10.69	13.69	18.01	34.04	15.01	250
HMF-M14L	9.55	12.70	17.53	57.15	17.02	250



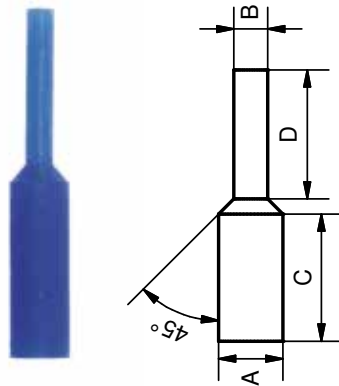
### SILICONE CAP

Cap for masking threaded or smooth axles.

Art. No.	ID mm	Tj mm	L mm	Fits	Pcs/box
SH-20-500	0.5	1.5	12.7		1000
SH-35-500	0.9	1.3	12.7		1000
SH-40-500	1.0	1.2	12.7		1000
SH-40-750	1.0	1.2	19.1		1000
SH-62-500	1.6	1.2	12.7	M2	1000
SH-62-750	1.6	1.1	19.1	M2	1000
SH-62-1000	1.6	1.4	25.4	M2	1000
SH-70-1000	1.8	1.2	25.4		1000
SH-80-750	2.0	1.5	19.1		1000
SH-93-500	2.4	1.3	12.7		1000
SH-93-750	2.4	1.5	19.1		1000
SH-93-1000	2.4	1.5	25.4		1000
SH-100-500	2.5	1.5	12.7		1000
SH-100-1000	2.5	1.5	25.4		1000
SH-109-500	2.8	1.5	12.7	M3	1000
SH-109-750	2.8	1.5	19.1	M3	1000
SH-109-1000	2.8	1.5	25.4	M3	1000
SH-120-250	3.1	1.3	6.4		1000
SH-120-400	3.1	1.3	10.2		1000
SH-125-500	3.2	1.5	12.7		1000
SH-125-750	3.2	1.5	19.1		1000
SH-125-1000	3.2	1.5	25.4		1000
SH-125-1500	3.2	1.5	38.1		1000
SH-135-625	3.4	1.5	15.9		1000
SH-137-500	3.5	1.5	12.7		1000
SH-137-1000	3.5	1.5	25.4		1000
SH-140-500	3.6	1.5	12.7		1000
SH-140-1000	3.6	1.5	25.4		1000
SH-140-1500	3.6	1.5	38.1		1000

Art. No.	ID mm	Tj mm	L mm	Fits	Pcs/box
SH-148-500	3.8	1.5	12.7	M4	1000
SH-148-750	3.8	1.5	19.1	M4	1000
SH-148-1000	3.8	1.5	25.4	M4	1000
SH-156-500	4.0	1.5	12.7		1000
SH-156-1000	4.0	1.5	25.4		1000
SH-156-1250	4.0	1.5	31.8		1000
SH-156-1500	4.0	1.5	38.1		1000
SH-165-1000	4.2	1.5	25.4		1000
SH-165-1500	4.2	1.5	38.1		1000
SH-172-500	4.4	1.5	12.7		1000
SH-172-1000	4.4	1.5	25.4		1000
SH-172-1500	4.4	1.5	38.1		1000
SH-180-1000	4.6	1.5	25.4		1000
SH-187-500	4.8	1.5	12.7	M5	1000
SH-187-750	4.8	1.5	19.1	M5	1000
SH-187-1000	4.8	1.5	25.4	M5	1000
SH-187-1500	4.8	1.5	38.1	M5	1000
SH-197-500	5.0	1.5	12.7		1000
SH-197-1000	5.0	1.5	25.4		1000
SH-218-1000	5.5	1.5	25.4		1000
SH-223-500	5.7	1.5	12.7	M6	1000
SH-223-750	5.7	1.5	19.1	M6	1000
SH-223-1000	5.7	1.5	25.4	M6	1000
SH-223-1500	5.7	1.5	38.1	M6	1000
SH-223-2165	5.7	1.5	55.0	M6	1000
SH-234-500	5.9	1.5	12.7		1000
SH-234-787	5.9	1.5	20.0		1000
SH-234-1000	5.9	1.5	25.4		1000
SH-234-1250	5.9	1.5	31.8		1000
SH-234-1500	5.9	1.5	38.1		1000
SH-250-500	6.4	1.5	12.7		1000
SH-250-1000	6.4	1.5	25.4		1000
SH-250-1500	6.4	1.5	38.1		1000
SH-260-500	6.6	1.5	12.7		1000
SH-260-1000	6.6	1.5	25.4		1000
SH-281-500	7.1	1.5	12.7		1000
SH-281-750	7.1	1.5	19.1		1000
SH-281-1000	7.1	1.5	25.4		1000
SH-281-2000	7.1	1.5	50.8		1000
SH-295-500	7.5	1.5	12.7	M8	1000
SH-295-750	7.5	1.5	19.1	M8	1000
SH-295-1000	7.5	1.5	25.4	M8	1000
SH-295-1500	7.5	1.5	38.1	M8	1000
SH-303-1000	7.7	1.7	25.4		1000

Art. No.	ID mm	Tj mm	L mm	Fits	Pcs/box	Art. No.	ID mm	Tj mm	L mm	Fits	Pcs/box
SH-312-500	7.9	1.5	12.7		1000	SH-625-2500	15.9	1.5	63.5	M16	250
SH-312-1000	7.9	1.5	25.4		1000	SH-687-625	17.5	1.5	15.9	M18	250
SH-312-1500	7.9	1.5	38.1		1000	SH-687-1000	17.5	1.5	25.4	M18	250
SH-340-1000	8.6	1.5	25.4		500	SH-687-1250	17.5	1.5	31.8	M18	250
SH-340-1500	8.6	1.5	38.1		500	SH-687-1500	17.5	1.5	38.1	M18	250
SH-340-2000	8.6	1.5	50.8		500	SH-687-2500	17.5	1.5	63.5	M18	250
SH-355-1000	9.0	1.5	25.4		500	SH-730-1500	18.5	1.5	38.1	M20	250
SH-355-1500	9.0	1.5	38.1		500	SH-750-1500	19.1	1.5	38.1		250
SH-366-1000	9.3	1.5	25.4		500	SH-750-1750	19.1	1.5	44.5		250
SH-366-1500	9.3	1.5	38.1		500	SH-750-2000	19.1	1.5	50.8		250
SH-375-500	9.5	1.5	12.7	M10	500	SH-750-3500	19.1	1.5	88.9		250
SH-375-750	9.5	1.5	19.1	M10	500	SH-780-1500	19.8	1.5	38.1	M20	250
SH-375-1000	9.5	1.5	25.4	M10	500	SH-812-1000	20.6	1.5	25.4		250
SH-375-1500	9.5	1.5	38.1	M10	500	SH-812-1500	20.6	1.5	38.1		250
SH-375-1969	9.5	1.5	50.0	M10	500	SH-845-2844	21.5	1.5	72.2		250
SH-406-1000	10.3	1.5	25.4		500	SH-875-1000	22.2	1.5	25.4		250
SH-406-1500	10.3	1.5	38.1		500	SH-875-1500	22.2	1.5	38.1		250
SH-437-1000	11.1	1.5	25.4		500	SH-937-1500	23.8	1.5	38.1		100
SH-437-2000	11.1	1.5	50.8		500	SH-970-1500	24.6	1.5	38.1		100
SH-456-500	11.6	1.5	12.7	M12	500	SH-970-4000	24.6	1.5	101.6		100
SH-456-750	11.6	1.5	19.1	M12	500	SH-1000-820	25.4	1.5	20.8		100
SH-456-1000	11.6	1.5	25.4	M12	500	SH-1000-1500	25.4	1.5	38.1		100
SH-456-1500	11.6	1.5	38.1	M12	500	SH-1000-2000	25.4	1.5	50.8		100
SH-456-1969	11.6	1.5	50.0	M12	500	SH-1062-1500	27.0	1.5	38.1		100
SH-468-1000	11.9	1.5	25.4		500	SH-1062-2000	27.0	1.5	50.8		100
SH-468-1500	11.9	1.5	38.1		500	SH-1062-3414	27.0	1.5	86.7		100
SH-475-4000	12.1	1.5	101.6		500	SH-1125-1500	28.6	1.5	38.1		100
SH-480-1000	12.2	1.5	25.4		500	SH-1187-1500	30.2	1.5	38.1		100
SH-480-1500	12.2	1.5	38.1		500	SH-1250-1125	31.8	1.5	28.6		100
SH-500-750	12.7	1.5	19.1		500	SH-1250-1500	31.8	1.5	38.1		100
SH-500-1500	12.7	1.5	38.1		500	SH-1350-1500	34.3	1.5	38.1		100
SH-500-3000	12.7	1.5	76.2		500	SH-1350-1750	34.3	1.5	44.5		100
SH-500-4000	12.7	1.5	101.6		500	SH-1375-1500	34.9	1.5	38.1		100
SH-535-750	13.6	1.5	19.1	M14	500	SH-1380-1000	35.1	1.5	25.4		100
SH-535-1000	13.6	1.5	25.4	M14	500	SH-1380-1500	35.1	1.5	38.1		100
SH-535-1500	13.6	1.5	38.1	M14	500	SH-1500-1000	38.1	1.5	25.4		100
SH-535-3000	13.6	1.5	76.2	M14	250	SH-1500-1500	38.1	1.5	38.1		100
SH-562-659	14.3	1.5	16.7		250	SH-1500-1750	38.1	1.5	44.5		100
SH-562-800	14.3	1.5	20.3		250	SH-1625-2000	41.3	1.5	50.8		50
SH-562-1100	14.3	1.5	27.9		250	SH1750-1500	44.5	1.5	38.1		50
SH-562-1500	14.3	1.5	38.1		250	SH-1750-2000	44.5	1.5	50.8		50
SH-600-1500	15.2	1.5	38.1		250	SH-1875-1500	47.6	1.5	38.1		50
SH-625-1125	15.9	1.5	28.6	M16	250	SH-1875-2000	47.6	1.5	50.8		50
SH-625-1500	15.9	1.5	38.1	M16	250	SH-2000-2000	50.8	1.5	50.8		50



### PULL PLUG

Pull plug for masking threaded or smooth holes.

Art. No.	Amm	Bmm	Cmm	Dmm	Fits	Pcs/box
DP-62-375	1.6	1.2	9.5	8.6	M2	1000
DP-62-500	1.6	1.0	12.7	12.7	M2	1000
DP-63-625	1.6	1.1	15.9	15.9	M2	1000
DP-67-625	1.7	1.2	15.9	15.5	M2	1000
DP-73-612	1.9	1.2	15.5	15.0	M2	1000
DP-80-1000	2.0	1.1	25.4	25.4	M3	1000
DP-91-625	2.3	1.3	15.9	15.9	M3	1000
DP-91-1000	2.3	1.3	25.4	25.4	M3	1000
DP-93-625	2.4	1.3	15.9	15.9	M3	1000
DP-93-700	2.4	1.6	17.8	17.8	M3	1000
DP-95-1000	2.4	1.3	25.4	25.4	M3	1000
DP-104-625	2.6	1.6	15.9	15.9	M3	1000
DP-105-1000	2.7	2.1	25.4	25.4	M3	1000
DP-109-625	2.8	1.6	15.9	15.9	M3	1000
DP-109-1000	2.8	1.6	25.4	25.4	M3	1000
DP-118-1000	3.0	2.1	25.4	25.4		1000
DP-125-625	3.2	1.6	15.9	15.9		1000
DP-130-625	3.3	2.4	15.9	17.8		1000
DP-130-1000	3.3	2.4	25.4	25.4		1000
DP-140-625	3.6	2.2	15.9	14.2	M4	1000
DP-142-1250	3.6	2.3	31.8	31.8	M4	1000
DP-154-625	3.9	1.6	15.9	15.9		1000
DP-156-625	4.0	1.6	15.9	19.1		1000
DP-156-1250	4.0	2.4	31.8	31.8		1000
DP-158-1000	4.0	2.1	25.4	25.4		1000
DP-158-1250	4.0	2.1	31.8	31.8		1000
DP-158-1500	4.0	2.4	38.1	38.1		1000
DP-160-780	4.1	2.4	19.8	19.8		1000
DP-162-625	4.1	2.4	15.9	14.8		1000
DP-175-1250	4.5	3.1	31.8	31.8	M5	1000

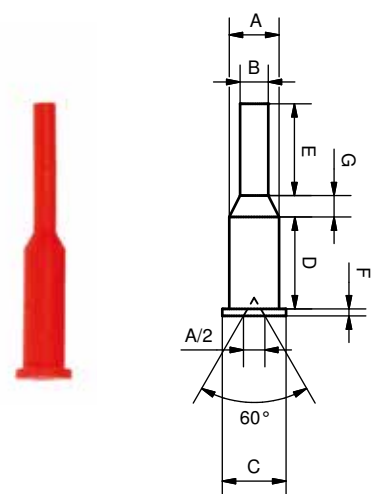
Art. No.	Amm	Bmm	Cmm	Dmm	Fits	Pcs/box
DP-187-625	4.8	2.8	15.9	15.9	M5	1000
DP-190-1250	4.8	3.6	31.8	31.8	M5	1000
DP-190-2250	4.8	2.8	57.2	57.2	M5	1000
DP-195-625	5.0	2.8	15.9	15.9		1000
DP-195-1000	5.0	2.8	25.4	25.4		1000
DP-195-1250	5.0	3.2	31.8	31.8		1000
DP-197-1000	5.0	2.8	25.4	25.4		1000
DP-218-1000	5.5	3.3	25.4	25.4	M6	500
DP-225-1000	5.7	3.2	25.4	25.4	M6	500
DP-236-400	6.0	4.5	10.2	10.2		500
DP-236-1250	6.0	4.2	31.8	31.8		500
DP-244-1250	6.2	4.3	31.8	31.8		500
DP-250-1250	6.4	3.2	31.8	31.8		500
DP-257-1000	6.5	3.3	25.4	25.4		500
DP-257-1250	6.5	3.3	31.8	31.8		500
DP-260-1000	6.6	3.3	25.4	25.4		500
DP-265-1250	6.7	4.7	31.8	31.8		500
DP-275-937	7.0	3.2	23.8	23.4		500
DP-275-2000	7.0	3.7	50.8	50.8		500
DP-281-1000	7.1	3.5	25.4	25.4	M8	500
DP-312-1000	7.9	3.7	25.4	25.4		500
DP-312-1250	7.9	3.9	31.8	31.8		500
DP-316-1000	8.0	3.9	25.4	21.6		500
DP-332-1125	8.4	6.4	28.6	20.3		500
DP-333-757	8.5	6.4	19.2	26.7		500
DP-335-1000	8.5	3.9	25.4	25.4		500
DP-335-1250	8.5	3.9	31.8	31.8		500
DP-350-900	8.9	4.9	22.9	25.4	M10	500
DP-355-1000	9.0	4.0	25.4	25.4	M10	500
DP-370-1181	9.4	4.7	30.0	30.0	M10	500
DP-375-1000	9.5	4.0	25.4	25.4	M10	500
DP-375-1250	9.5	4.8	31.8	31.8	M10	500
DP-384-1000	9.8	3.9	25.4	25.4		500
DP-384-1250	9.8	3.9	31.8	31.8		500
DP-384-2000	9.8	3.9	50.8	50.8		500
DP-388-1000	9.9	4.0	25.4	25.4		500
DP-400-500	10.2	4.0	12.7	12.7		250
DP-400-1000	10.2	4.0	25.4	25.4		250
DP-408-1000	10.4	4.9	25.6	25.4	M12	250
DP-414-525	10.5	4.0	13.3	19.2	M12	250
DP-414-1000	10.5	4.0	25.4	25.4	M12	250
DP-437-1500	11.1	7.6	38.1	38.1		250
DP-440-1000	11.2	6.6	25.4	25.4		250
DP-440-2000	11.2	4.0	50.8	50.8		250
DP-444-1000	11.3	6.5	25.4	25.2		250
DP-444-1250	11.3	6.5	31.8	31.8		250



## PULL PLUG CONTINUED

Art. No.	Amm	Bmm	Cmm	Dmm	Fits	Pcs/box
DP-445-1000	11.3	6.5	25.4	25.4		250
DP-468-1000	11.9	6.4	25.4	25.4		250
DP-472-1000	12.0	6.2	25.4	25.4		250
DP-496-1000	12.6	6.4	25.4	25.4	M14	250
DP-496-2000	12.6	6.4	50.8	50.8	M14	250
DP-500-1000	12.7	6.4	25.4	25.4	M14	250
DP-510-1000	13.0	6.5	25.4	24.3	M14	250
DP-530-1000	13.5	6.4	25.4	25.4		250
DP-530-2062	13.5	6.4	52.4	52.4		250
DP-551-1181	14.0	6.4	30.0	30.0		250
DP-570-1000	14.5	7.9	25.4	25.4	M16	250
DP-571-1750	14.5	7.7	44.5	44.5	M16	250
DP-580-1500	14.7	8.0	38.1	38.1	M16	250
DP-590-1000	15.0	6.4	25.4	25.4		250
DP-612-1000	15.5	6.4	25.4	25.4		250
DP-612-2000	15.5	8.3	50.8	50.8		250
DP-620-1500	15.8	8.4	38.1	38.1	M18	250
DP-640-1000	16.3	9.5	25.4	25.4		250
DP-670-1500	17.0	11.9	38.1	38.1		250
DP-700-1000	17.8	9.5	25.4	25.4		100
DP-700-1250	17.8	9.5	31.8	31.8		100
DP-700-1500	17.8	9.5	38.1	38.1		100
DP-707-1250	18.0	9.5	31.8	33.7	M20	100
DP-728-1125	18.5	9.5	28.6	27.9	M20	100

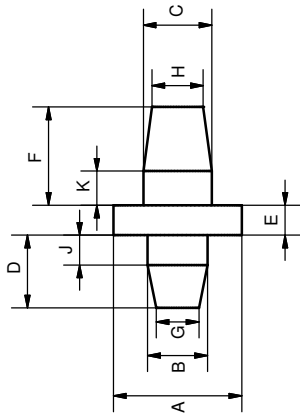
Art. No.	Amm	Bmm	Cmm	Dmm	Fits	Pcs/box
DP-729-1000	18.5	8.0	25.4	25.4	M20	100
DP-729-1500	18.5	9.8	38.1	38.1	M20	100
DP-750-1000	19.1	9.5	25.4	25.4		100
DP-770-1000	19.6	9.5	25.4	23.6		100
DP-770-1125	19.6	9.5	28.6	28.6		100
DP-770-1500	19.6	10.4	38.1	38.1		100
DP-770-1960	19.6	10.4	49.8	53.3		100
DP-798-650	20.3	10.2	16.5	20.3		100
DP-807-1250	20.5	10.9	31.8	31.8		100
DP-807-1500	20.5	10.9	38.1	38.1		100
DP-809-1000	20.6	8.0	25.4	25.4		100
DP-843-2000	21.4	9.5	50.8	50.8		100
DP-850-2250	21.6	11.4	57.2	57.2		100
DP-888-1000	22.6	9.5	25.4	25.4		100
DP-896-1000	22.8	9.5	25.4	25.4		100
DP-897-1500	22.8	9.5	38.1	38.1		100
DP-1000-1000	25.4	9.5	25.4	25.4		100
DP-1020-1000	25.9	9.5	25.4	24.6		100
DP-1020-1250	25.9	9.5	31.8	31.8		100
DP-1220-1250	31.0	9.5	31.8	31.8		100
DP-1380-1000	35.1	12.7	25.4	25.4		50
DP-1380-1500	35.1	18.6	38.1	38.1		50
DP-1450-1000	36.8	12.7	25.4	25.4		50
DP-1713-2756	43.5	22.0	70.0	70.0		50



## PULL PLUG WITH FLANGE

A pull plug for threaded or smooth holes with a flange to protect the entry thread.

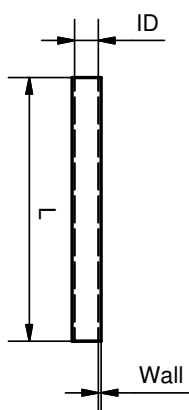
Art. No.	Amm	Bmm	Cmm	Dmm	Emm	Fmm	Gmm	Fits	Pcs/box
DF-173	4.4	2.5	6.4	25.4	25.4	1.5	0.6	M5	500
DF-210	5.3	3.3	9.1	12.7	12.7	1.0	1.0	M6	500
DF-218	5.5	3.2	8.6	25.4	26.2	1.8	1.7	M6	500
DF-230	5.8	3.2	8.9	25.4	26.2	1.8	2.5	M6	500
DF-285	7.2	4.1	10.2	25.4	27.0	1.8	2.5	M8	500
DF-335	8.5	4.1	11.7	25.4	26.2	1.8	3.3	M10	500
DF-350	8.9	4.8	12.0	25.4	27.0	1.8	3.8	M10	500
DF-420	10.7	6.0	13.7	25.4	27.0	1.8	4.3	M12	250
DF-445	11.3	6.1	14.2	25.4	27.0	1.8	4.8	M12	250
DF-490	12.5	6.5	15.5	25.4	25.4	2.0	3.0	M14	250



## WASHER PLUG

A washer plug for two different holes with a flange that protects the area outside the hole.

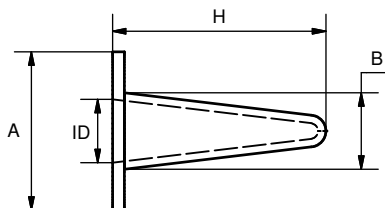
Art. No.	Amm	Bmm	Cmm	Dmm	Emm	Fmm	Gmm	Hmm	Jmm	Kmm	Pcs/box
WP-103	6.4	2.6	3.3	5.8	5.0	7.2	1.4	1.8	2.0	2.0	1000
WP-M3	7.0	2.8	3.7	5.8	5.0	7.4	1.4	1.9	2.0	2.0	1000
WP-130	12.7	3.3	5.3	7.5	5.0	10.0	2.0	3.0	2.5	3.0	1000
WP-130-250-200	6.4	3.3	5.1	12.7	5.0	12.7	1.6	3.3	5.0	5.0	1000
WP-130-312-180	7.9	3.3	4.6	12.7	5.0	12.7	1.6	2.5	3.0	3.8	1000
WP-130-375-140	9.5	3.3	3.6	12.7	5.0	12.7	1.8	2.0	3.0	3.0	1000
WP-130-500-375	12.7	3.3	9.5	12.7	4.8	12.7	1.6	7.2	4.6	4.6	1000
WP-140-500-180	12.7	3.6	4.6	12.7	4.8	12.7	2.0	2.5	3.8	3.8	1000
WP-142	7.9	3.6	4.6	12.7	5.0	12.7	2.3	3.0	2.5	2.5	1000
WP-142-250-180	6.4	3.6	4.6	12.7	4.8	12.7	2.3	3.0	2.5	2.5	1000
WP-M4	9.0	3.6	4.7	7.2	5.0	9.4	1.8	2.4	2.0	2.4	1000
WP-155-250-200	6.4	3.9	5.1	12.7	4.0	12.7	1.8	2.6	3.5	3.5	1000
WP-155-312-238	7.9	3.9	6.1	12.7	5.0	12.7	1.6	3.7	5.0	5.0	1000
WP-155-375-238	9.5	3.9	6.0	12.7	4.8	12.7	1.6	3.7	5.0	5.0	1000
WP-M5	9.5	4.5	5.7	9.0	5.0	11.4	2.3	2.8	2.3	2.8	1000
WP-180-250-180	6.4	4.6	4.6	12.7	4.8	12.7	2.5	2.5	3.8	3.8	1000
WP-180-250-238	6.4	4.6	6.1	12.7	5.0	12.7	2.3	3.7	3.5	3.5	1000
WP-180-275-200	7.0	4.6	5.1	12.7	4.8	12.7	2.5	2.8	2.5	3.0	1000
WP-180-350-225	8.9	4.6	5.7	12.7	4.8	12.7	2.5	3.0	2.5	3.0	1000
WP-180-375-250	9.5	4.6	6.4	12.7	4.8	12.7	2.8	4.0	3.8	3.8	1000
WP-180-500-200	12.7	4.6	5.1	12.7	4.8	12.7	2.5	3.0	2.5	3.0	1000
WP-200-312	7.9	5.1	6.0	12.7	5.0	12.7	3.0	3.5	2.5	3.0	500
WP-200-500-238	12.7	5.1	6.1	13.3	4.8	13.3	4.1	4.6	3.2	3.2	500
WP-200	9.5	5.1	7.0	10.6	5.0	13.4	2.5	3.5	2.6	3.4	500
WP-209	9.5	5.3	7.0	12.7	5.0	12.7	3.5	4.5	3.0	3.0	500
WP-M6	12.5	5.3	6.7	10.6	5.0	13.4	2.6	3.4	2.6	3.4	500
WP-250-375-250	9.5	6.4	6.4	12.7	5.0	12.7	3.8	3.8	5.0	5.0	500
WP-265-1180-765	30.0	6.7	19.4	12.7	5.0	12.7	4.0	15.5	3.5	5.0	500
WP-275	9.5	7.0	9.5	12.7	0.0	17.8	4.4	7.0	3.2	4.7	500
WP-275-500-375	12.7	7.0	9.5	12.7	5.1	12.7	5.7	7.2	5.1	5.1	500
WP-M8	17.0	7.1	8.7	14.2	5.0	17.4	3.6	4.3	3.6	4.3	500
WP-331	20.0	8.4	8.4	12.7	5.0	12.7	5.0	5.0	4.2	4.2	500
WP-346	15.9	8.8	10.5	12.7	5.0	12.7	7.3	8.9	4.5	4.5	500
WP-375-500-455	12.7	9.5	11.6	12.7	5.0	12.7	7.2	9.9	5.0	5.0	500
WP-375-787-512	20.0	9.5	13.0	12.7	5.0	12.7	7.2	10.0	5.0	5.0	500
WP-375-1100-455	27.9	9.5	11.6	12.7	5.0	12.7	7.2	9.9	4.5	5.0	500
WP-M10	21.0	9.6	10.7	19.2	5.0	21.4	4.8	5.4	4.8	5.4	500
WP-M12	24.0	10.9	12.7	21.8	5.0	25.4	5.5	6.4	5.5	6.4	500



## SILICONE TUBE

Silicone tube for internal and external masking of threaded or smooth axles.

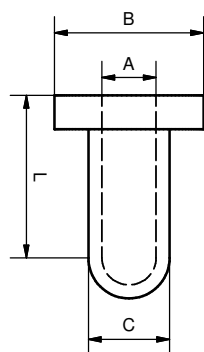
Art. No.	ID mm	wall(OD-ID) mm	Metres/roll
SS-0040	1.0	1.6	30.5
SS-0056	1.4	1.6	30.5
SS-0062	1.6	1.6	30.5
SS-0068	1.7	1.6	30.5
SS-0080	2.0	1.6	30.5
SS-0093	2.4	1.6	30.5
SS-0109	2.8	1.6	30.5
SS-0125	3.2	1.6	30.5
SS-0140	3.6	1.6	30.5
SS-0156	4.0	1.6	30.5
SS-0172	4.4	1.6	30.5
SS-0187	4.8	1.6	30.5
SS-0203	5.2	1.6	30.5
SS-0218	5.5	1.6	30.5
SS-0234	5.9	1.6	30.5
SS-0250	6.4	1.6	30.5
SS-0281	7.1	1.6	15.3
SS-0312	7.9	1.6	15.3
SS-0343	8.7	1.6	15.3
SS-0375	9.5	1.6	15.3
SS-0406	10.3	1.6	15.3
SS-0437	11.1	1.6	15.3
SS-0500	12.7	1.6	15.3
SS-0625	15.9	1.6	15.3
SS-0750	19.1	1.6	15.3
SS-0875	22.2	1.6	15.3
SS-0937	23.8	1.6	15.3
SS-1000	25.4	1.6	15.3
SS-1125	28.6	1.6	7.6
SS-1250	31.8	1.6	7.6
SS-1375	34.9	1.6	7.6
SS-1500	38.1	1.6	7.6
SS-1625	41.3	1.6	7.6
SS-1750	44.5	1.6	7.6
SS-1875	47.6	1.6	7.6
SS-2000	50.8	1.6	7.6



### CONICAL FLANGE PLUG

Conical flange plug that protects the entry thread.

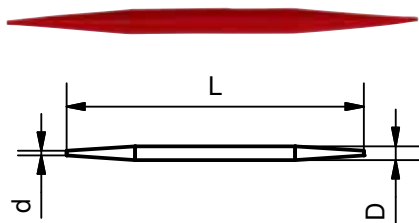
Art. No.	Amm	Bmm	Hmm	IDmm	Pcs/box
KF-250-130	12.7	6.4	23.0	3.3	500
KF-316-216	12.7	8.0	25.4	5.5	500
KF-335-177	15.9	8.5	25.4	4.5	500
KF-394-197	16.5	10.0	28.0	5.0	500
KF-400-230	16.1	10.2	27.9	5.8	500
KF-551-315	19.1	14.0	36.0	8.0	250
KF-689-453	24.9	17.5	38.1	11.5	250
KF-767-532	27.9	19.5	51.0	13.5	100
KF-819-583	25.4	20.8	49.0	14.8	100
KF-866-630	31.0	22.0	53.0	16.0	100



### FLANGE CAP

Flange cap for holes that also have a flange to protect the surface around the entry hole.

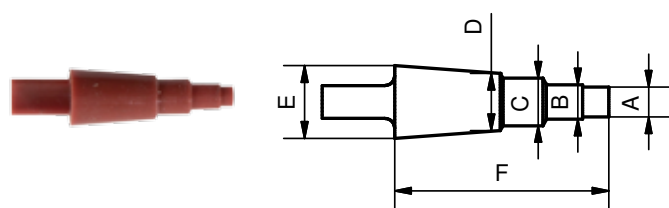
Art. No.	Amm	Bmm	Cmm	Lmm	Pcs/box
FH-100-500	2.5	12.7	5.7	25.4	1000
FH-106-472	2.7	12.0	6.2	25.4	1000
FH-125-500	3.2	12.7	6.4	25.4	1000
FH-140-500	3.6	12.7	8.2	25.4	1000
FH-146-472	3.7	12.0	6.6	25.4	1000
FH-156-500	4.0	12.7	8.0	25.4	1000
FH-172-500	4.4	12.7	9.7	25.4	1000
FH-180-600	4.6	15.2	8.0	25.4	1000
FH-220-590	5.6	15.0	9.1	25.4	1000
FH-220-787	5.6	20.0	8.7	25.4	1000
FH-240-500	6.1	12.7	9.1	25.4	1000
FH-295-500	7.5	12.7	10.5	25.4	1000
FH-295-700	7.5	17.8	10.5	25.4	1000
FH-295-1000	7.5	25.4	10.5	25.4	1000
FH-300-675	7.6	17.2	10.6	25.4	1000
FH-375-825	9.5	21.0	13.0	38.1	1000
FH-453-984	11.5	25.0	16.5	38.1	500
FH-460-700	11.7	17.8	14.5	25.4	500
FH-500-1000	12.7	25.4	15.4	25.4	500
FH-615-1180	15.6	30.0	20.7	38.1	500
FH-750-1250	19.1	31.8	22.1	38.1	500
FH-780-1475	19.8	37.5	24.7	25.4	500



## NEEDLE MASK

For masking small holes.

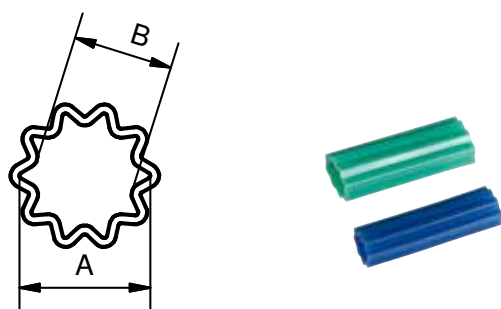
Art. No.	Dmm	dmm	Lmm	Pcs/box
NM-79	2.0	0.6	33.8	1000
NM-80	2.0	0.6	52.8	1000
NM-83	2.1	0.8	49.0	1000
NM-100	2.5	0.8	52.8	1000
NM-125	3.2	0.6	50.8	1000



## STEP PLUG

Conical plug with handles that fits four different dimensions.

Art. No.	Amm	Bmm	Cmm	Dmm	Emm	Fmm	Pcs/box
SPC5-10	4.5	5.2	7.2	8.7	11	31	1000
SPC5-14	7.2	9	10.7	12.5	33	33	500



## UNIVERSAL TUBE, AVAILABLE TO SIZE

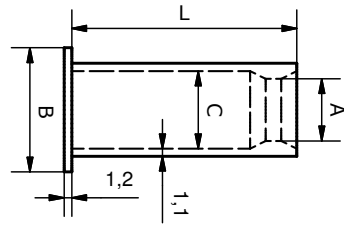
Universal tube for external masking of axles. Simple to fit and remove. Available to size and by the metre

Art. No.	Amm	Bmm	Pcs/box
Uni2,8x5,3x50	5.3	2.8	1000
Uni4,8x7,3x50	7.3	4.8	1000
Uni6,5x9,5x25	9.5	6.5	1000
Uni6,5x9,5x50	9.5	6.5	1000
Uni8,5x11,5x25	11.5	8.5	1000
Uni8,5x11,5x50	11.5	8.5	1000
Uni10,7x14x25	14	10.7	500
Uni11x13,5x50	13.5	11	500
Uni13x17x55	17	13	500
Uni15,9x19	19	15.9	500
Uni17,5x22x55	22	17.5	500



## UNIVERSAL TUBE, BY THE METRE

Art. No.	Amm	Bmm	Metres/roll
UNI3x5	5	3	30.5
UNI5x7	7	5	30.5
UNI8X10	10	8	30.5
UNI10X13	13	10	30.5
UNI13X16	16	13	30.5
UNI16X19	19	16	15.2
UNI18X22	22	18	15.2
UNI22X25	25	22	15.2
UNI25X32	32	25	7.6
UNI32X38	38	32	7.6
UNI38X44	44	38	7.6
UNI44X51	51	44	7.6

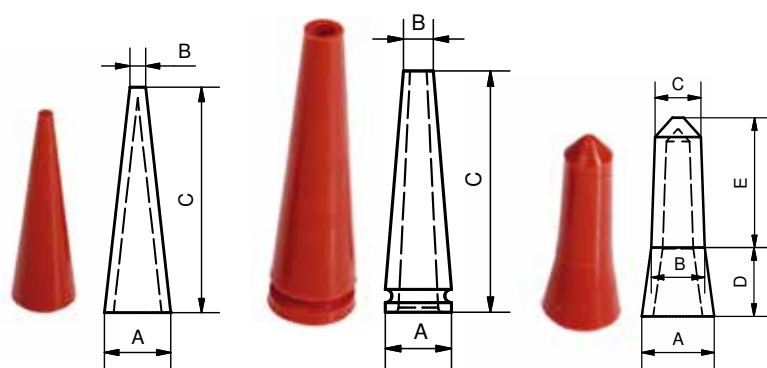


### AXLE MASK

Axle mask for threaded or smooth axles with a flange for a better grip when removing.

Art. No.	Amm	Bmm	Cmm	Lmm	Fits	Pcs/box
AM-112-1180	2.8	16.2	6.0	30.0	M3	1000
AM-125-2000	3.2	16.5	6.4	50.8	M4	1000
AM-135-1180	3.4	16.8	6.6	30.0	M4	1000
AM-138-1180	3.5	16.8	6.7	30.0	M4	1000
AM-156-2000	4.0	17.3	7.1	50.8	M5	1000
AM-157-1180	4.0	17.3	7.2	30.0	M5	1000
AM-165-1016	4.2	17.5	7.4	25.8	M5	1000
AM-177-1180	4.5	17.8	7.7	30.0	M5	1000
AM-180-2000	4.6	17.9	7.8	50.8	M5	1000
AM-187-1377	4.8	18.1	7.9	35.0	M5	1000
AM-187-1747	4.8	18.1	7.9	44.4	M5	1000
AM-197-1180	5.0	15.8	9.4	37.0	M6	1000
AM-234-2000	5.9	19.3	9.1	50.8	M6	1000
AM-236-1180	6.0	19.3	9.2	30.0	M8	1000
AM-255-910	6.5	19.8	9.7	23.1	M8	1000
AM-255-1180	6.5	19.8	9.7	30.0	M8	1000
AM-270-1200	6.9	20.2	10.0	30.5	M8	1000
AM-275-1180	7.0	20.3	10.2	30.0	M8	1000
AM-294-1330	7.5	20.8	10.6	33.8	M8	1000
AM-315-974	8.0	21.3	11.2	24.7	M10	1000
AM-315-1180	8.0	21.3	11.2	30.0	M10	1000
AM-315-1425	8.0	21.3	11.2	36.2	M10	1000
AM-320-670	8.1	21.5	11.3	17.0	M10	1000
AM-330-1500	8.4	21.7	11.6	38.1	M10	1000
AM-355-1500	9.0	22.4	12.2	38.1	M10	1000
AM-360-1000	9.1	22.5	12.3	25.4	M10	1000
AM-375-1000	9.5	22.9	12.7	25.4	M10	1000
AM-375-1421	9.5	22.9	12.7	36.1	M10	1000
AM-380-1000	9.7	23.0	12.8	25.4	M10	1000
AM-394-1180	10.0	23.3	13.2	30.0	M12	1000
AM-433-1180	11.0	24.3	14.2	30.0	M12	1000
AM-438-950	11.1	24.5	14.3	24.1	M12	1000
AM-451-1215	11.5	24.8	14.6	30.9	M12	1000

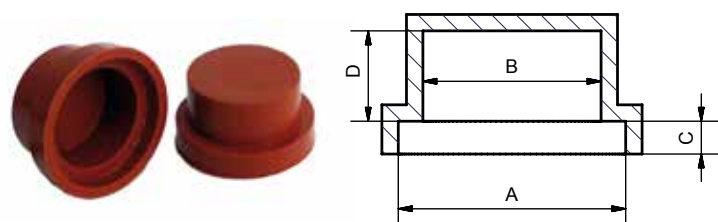
Art. No.	Amm	Bmm	Cmm	Lmm	Fits	Pcs/box
AM-485-500	12.3	25.7	15.5	12.7	M14	500
AM-485-750	12.3	25.7	15.5	19.1	M14	500
AM-485-1013	12.3	25.7	15.5	25.7	M14	500
AM-485-1600	12.3	26.3	16.1	40.6	M14	500
AM-492-1180	12.5	25.8	15.7	30.0	M14	500
AM-531-1180	13.5	26.8	16.7	30.0	M14	500
AM-586-512	14.9	28.2	18.1	13.0	M16	500
AM-587-374	14.9	28.2	18.1	9.5	M16	500
AM-608-493	15.4	28.8	18.6	12.5	M16	500
AM-608-990	15.4	28.8	18.6	25.2	M16	500
AM-608-1180	15.4	28.8	18.6	30.0	M16	500
AM-622-1180	15.8	29.1	19.0	30.0	M16	500
AM-622-1575	15.8	29.1	19.0	40.0	M16	500
AM-687-1180	17.5	30.8	20.6	30.0	M18	500
AM-689-3579	17.5	30.8	20.7	90.9	M18	500
AM-725-3120	18.4	28.6	18.4	85.1	M20	500
AM-850-410	21.6	34.9	24.8	10.4		250
AM-906-3500	23.0	36.4	26.2	88.9		250
AM-963-3000	24.5	37.8	27.6	76.2		250
AM-980-1500	24.9	38.2	28.1	38.1		250
AM-980-1654	24.9	38.0	26.9	42.0		250
AM-1118-540	28.4	41.7	31.6	13.7		250
AM-1125-5000	28.6	41.9	31.8	127.0		250
AM-1230-5000	31.2	44.6	34.4	127.0		250
AM-1240-1760	31.5	44.8	34.7	44.7		250
AM-1288-4128	32.7	46.1	35.9	104.9		250
AM-1567-1517	39.8	53.1	43.0	38.5		250
AM-1850-1850	47.0	53.1	50.2	47.0		250
AM-1921-1575	48.8	62.1	52.0	40.0		250
AM-2244-1811	57.0	70.3	60.2	46.0		100
AM-2250-1920	57.2	70.5	60.3	48.8		100
AM-2500-2420	63.5	76.8	66.7	61.5		100
AM-2660-726	67.6	80.9	70.7	18.4		100
AM-2750-2670	69.9	84.4	74.3	69.6		100
AM-3000-2920	76.2	89.0	79.4	74.2		100
AM-3154-0730	80.1	92.7	83.3	18.5		50
AM-3189-413	81.0	94.3	84.2	10.5		50
AM-3200-996	81.3	94.6	84.5	25.3		50
AM-3248-783	82.5	95.8	85.7	19.9		50
AM-3287-681	83.5	96.8	86.7	17.3		50
AM-3362-256	85.4	98.7	88.6	6.5		20
AM-3425-705	87.0	100.3	90.2	17.9		20
AM-3465-819	88.0	101.4	91.2	20.8		20
AM-3500-3420	88.9	102.2	92.1	86.9		20
AM-3622-661	92.0	105.3	95.2	16.8		20



### MSC, CONS, PL

Hollow conical plugs for different hole lengths.

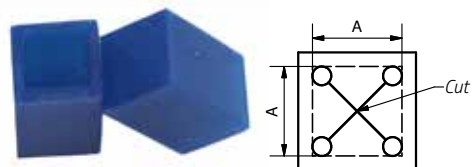
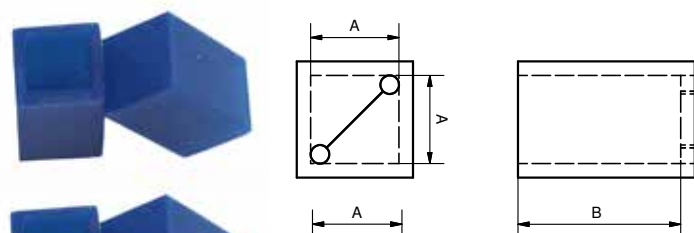
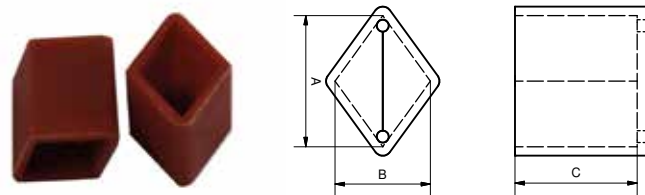
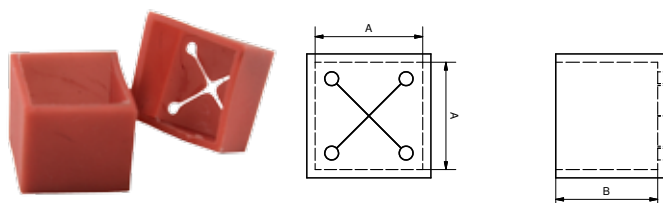
Art. No.	Amm	Bmm	Cmm	Dmm	Emm	Pcs/box
MSC4115	14.7	3.5	50			500
CONS20	9.5	7	6	9	17	2000
PL2529	20	9	73			250



### PIPE PLUG

Mask for pipes.

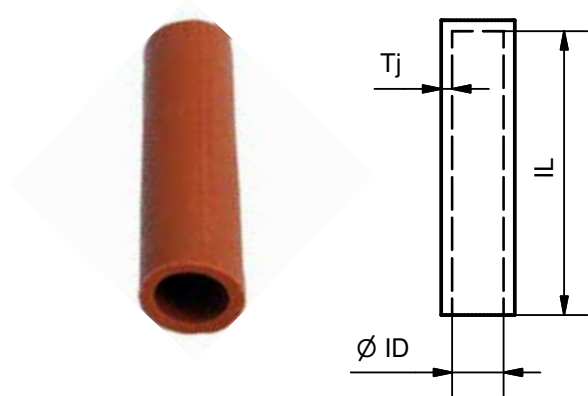
Art. No.	Amm	Bmm	Cmm	Dmm	Pcs/box
WC21, 9x28	27.7	21.7	4.0	11.0	250



### SQUARE PIPE PLUG

Square mask for pipes.

Art. No.	Amm	B mm	Cmm	Pcs/box
SQ 19,5x19,5x20	19.5	18.5		400
SQC 25x19	22	16	20.5	500
SQ 9,5x9,5x17,5	9.5	17.5		500
SQ 9,5x9,5x17,5X	9.5	17.5		500



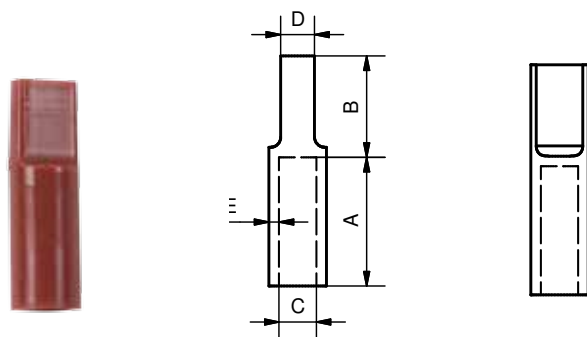
### CAP WITH A FLAT TOP

Cap with a flat top for threaded or smooth axles.

Art. No.	IDmm	ILmm	Tjmm	Fits	Pcs/box
HPT-0063x079	1.60	2.00	0.70	M2	1000
HPT-0070x100	1.78	25.40	1.52		1000
HPT-0100X100	2.54	25.40	1.27	M3	1000
HPT-0100x112	2.54	28.45	1.52	M3	1000
HPT-0120x025	3.05	6.35	1.27		1000
HPT-0120x040	3.05	10.16	1.27		1000
HPT-0120x100	3.05	25.40	1.27		1000
HPT-0145x112	3.68	28.45	1.52		1000
HPT-0148X100	3.76	25.40	1.40	M4	1000
HPT-0172x080	4.37	20.32	1.52		1000
HPT-0175x100	4.45	25.40	1.40		1000
HPT-0185x112	4.70	28.45	1.52	M5	1000
HPT-0217x110	5.51	27.94	1.73		1000
HPT-0220x112	5.59	28.45	1.52		1000
HPT-0220x165	5.59	41.91	1.52		1000
HPT-0223X150	5.66	38.10	1.52	M6	1000
HPT-0233X150	5.92	38.10	1.40		1000
HPT-0234x150	5.94	38.10	1.52		1000

Art. No.	IDmm	ILmm	Tjmm	Fits	Pcs/box
HPT-0295x025	7.49	6.35	1.52	M8	1000
HPT-0295x150	7.49	38.10	1.40	M8	1000
HPT-0300x112	7.62	28.45	1.52		1000
HPT-0300x165	7.62	41.91	1.52		1000
HPT-0307x075	7.80	19.05	1.30		1000
HPT-0340x088	8.64	22.23	2.29		500
HPT-0355X150	9.02	38.10	1.47		500
HPT-0375x112	9.53	28.45	1.52	M10	500
HPT-0375X150	9.53	38.10	1.40	M10	500
HPT-0393x073	9.98	18.49	1.52		500
HPT-0415x150	10.54	38.10	1.45		500
HPT-0437x100	11.10	25.40	1.52		500
HPT-0440x073	11.18	18.49	1.52		500
HPT-0456X150	11.58	38.10	1.70	M12	500
HPT-0480x150	12.19	38.10	1.40		500
HPT-0535X150	13.59	38.10	1.78	M14	500
HPT-0562x150	14.27	38.10	1.52		250
HPT-0590x071	14.99	17.98	1.52		250
HPT-0600X150	15.24	38.10	1.40	M16	250
HPT-0640x090	16.26	22.86	1.52		250
HPT-0640x200	16.26	50.80	1.52		250
HPT-0665X073	16.89	18.59	1.52		250
HPT-0687x033	17.45	8.38	1.52	M18	250
HPT-0687x038	17.45	9.65	1.52	M18	250
HPT-0722x456	18.34	115.70	1.52		250
HPT-0728x045	18.49	11.48	1.52		250
HPT-0730x150	18.54	38.10	1.52		250
HPT-0730X400	18.54	101.60	1.52		250
HPT-0763x073	18.69	18.49	1.52		250
HPT-0811x073	20.60	18.49	1.52		250
HPT-0855X150	21.72	38.10	1.78		250
HPT-0921X073	23.39	18.49	1.52		100
HPT-0970X400	24.64	101.60	1.52		50
HPT-0980X150	24.89	38.10	1.52		100
HPT-1000x065	25.40	16.51	1.52		100
HPT-1291x091	32.79	22.99	1.52		100
HPT-1500x6024	38.10	153.01	1.52		100
HPT-1555x110	39.50	27.99	1.52		100
HPT-1649x110	41.88	27.99	1.52		50
HPT-2362x2556	59.99	64.92	5.00		50
HPT-3563x039	90.50	9.98	5.00		50
HPT-3740x1575	95.00	40.01	3.99		50



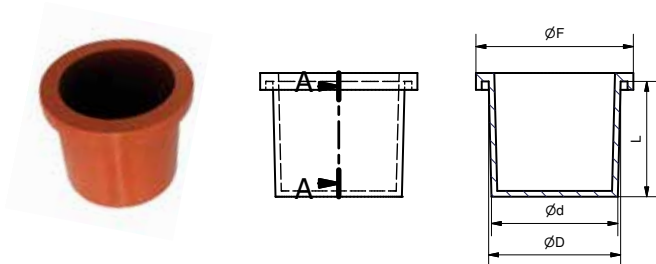


## CAP WITH A HANDLE

A cap with a handle and a flat top to maintain the exact dimensions when masking lengthways.

Art. No.	Amm	Bmm	Cmm	Dmm	Emm	Pcs/box
HMH-5,5X13	13.00	10.00	5.50	5	1.5	1000
HMH-5,5X16	16.00	10.00	5.50	5	1.5	1000

Art. No.	Amm	Bmm	Cmm	Dmm	Emm	Pcs/box
HMH-5,5X19	19.00	10.00	5.50	5	1.5	1000
HMH-6X13	13.00	10.00	6.00	5	1.5	1000
HMH-7,6X14	14.00	10.00	7.60	5	1.5	500
HMH-10,29X9,90	9.90	12.00	10.29	5	1.5	500
HMH-11,5X17	17.00	12.00	11.50	5	1.5	500
HMH-11,65X44,70	44.70	12.00	11.65	5	1.5	500
HMH-12,33X9,90	9.90	12.00	12.33	5	1.5	500
HMH-13,40X19	19.00	12.00	13.40	6	1.5	500
HMH-15X12	12.00	12.00	15.00	6	1.5	250
HMH-15,24X12	12.00	12.00	15.24	6	1.5	250
HMH-15,87X19,50	19.50	12.00	15.87	6	1.5	250
HMH-15,87X25,15	25.15	12.00	15.87	6	1.5	250
HMH-15,87X27,94	27.94	12.00	15.87	6	1.5	250
HMH-18,67X25,40	25.40	12.00	18.67	6	1.5	250

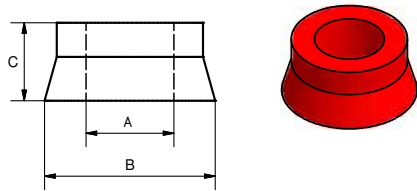


## PIPE PLUG WITH A FLANGE

A pipe plug with a flange that covers the entry hole and the flat surface around the hole.

Art. No.	dmm	Dmm	Fmm	IDmm	Pcs/box
RPF-0197	5.00	5.00	11.00	2.00	1000
RPF-0256	6.50	6.50	2.25	8.50	1000
RPF-0276	7.00	7.00	13.00	4.00	1000
RPF-0311	7.42	7.90	15.94	4.47	500
RPF-0315	8.00	8.00	3.00	10.50	500
RPF-0354	9.00	9.00	15.00	6.00	500
RPF-0373	9.49	9.49	12.60	4.71	500
RPF-0394	5.00	10.00	12.00	5.00	500
RPF-0465	10.68	11.81	17.79	7.43	500
RPF-0472S	12.00	12.00	13.00	7.20	500
RPF-0472	12.00	12.00	20.00	9.00	500
RPF-0492	10.50	12.50	20.00	9.50	500
RPF-0539	13.08	13.70	22.44	10.49	500
RPF-0591	15.00	15.00	23.00	12.00	250
RPF-0650	15.00	16.50	25.00	13.50	250
RPF-0673	16.38	17.11	25.84	13.79	250
RPF-0681	15.20	17.30	43.01	13.59	250

Art. No.	dmm	Dmm	Fmm	IDmm	Pcs/box
RPF-0787	20.00	20.00	30.00	17.00	250
RPF-0827	21.00	21.00	31.00	18.00	250
RPF-0833	21.17	21.17	25.24	15.53	250
RPF-0846	18.50	21.50	31.00	19.50	250
RPF-0858	20.93	21.80	32.28	18.40	250
RPF-1063	24.00	27.00	38.00	24.00	100
RPF-1142	29.00	29.00	50.00	25.00	100
RPF-1158	28.20	29.42	36.83	25.00	100
RPF-1189	30.20	30.20	36.20	26.20	100
RPF-1231	31.26	31.26	40.97	24.13	100
RPF-1260	29.00	32.00	42.0	29.00	100
RPF-1277	23.98	32.43	39.03	27.18	100
RPF-1299	30.00	33.00	30.00	44.00	100
RPF-1319	29.51	33.50	40.00	26.02	100
RPF-1349	33.01	34.27	43.18	29.90	100
RPF-1437	34.00	36.50	36.50	29.00	100
RPF-1452	29.13	36.89	52.82	33.50	100
RPF-1496	30.50	38.00	48.00	33.98	100
RPF-1510	30.39	38.35	44.47	33.50	100
RPF-1575	36.00	40.00	50.00	36.40	50
RPF-1644	36.14	41.75	52.04	37.09	50
RPF-1854	45.73	47.09	55.88	42.52	50
RPF-1885	47.88	47.88	55.00	42.86	50
RPF-2134	54.20	54.20	48.00	65.00	50
RPF-3425	86.99	86.99	120.00	76.99	25
RPF-4426	112.43	112.43	145.05	102.43	25
RPF-5354	136.00	136.00	182.00	130.00	25
RPF-5905	149.00	149.00	163.00	143.00	25



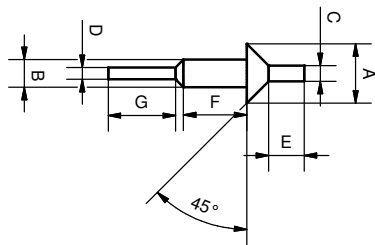
### WASHER

A washer that is combined with a pull plug with a cap. For masking two sides.

Art. No.	Amm	Bmm	Cmm	Fits	Pcs/box
Washer 8,7x20	8.7	20	8	M10	1000
Washer M10	9	17.5	8	M10	1000
Washer 9,8x20,35	9.8	20.35	8	M10	1000
Washer 10,3x20	10.3	20	8	M12	1000

### PULL PLUG WITH A CAP

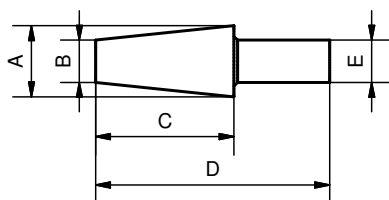
Pull plug with a cap to protect the entry thread.



Art. No.	A mm	B mm	C mm	D mm	E mm	F mm	G mm	Fits	Pcs/box
DMH-114	10.0	2.9	2.5	2.5	10.0	15.0	20.0	M3	1000
DMH-118	10.0	3.0	3.4	2.0	10.0	10.0	10.0	M3	1000
DMH-138	10.0	3.5	3.8	2.2	10.0	10.0	15.0	M4	1000
DMH-150	10.0	3.8	3.0	3.0	10.0	15.0	20.0	M4	1000
DMH-157	10.0	4.0	3.4	2.2	10.0	10.0	9.0	M5	1000
DMH-175	10.0	4.5	3.8	2.5	12.7	9.9	9.9	M5	1000
DMH-177	12.0	4.5	3.0	3.0	10.0	15.0	20.0	M5	1000
DMH-185	12.7	4.7	4.8	3.0	10.2	9.9	11.0	M5	1000
DMH-197-394	10.0	5.0	3.7	3.7	10.0	10.0	10.0	M6	1000
DMH-197	15.0	5.0	4.0	4.0	10.0	15.0	20.0	M6	1000
DMH-217	14.0	5.5	4.0	4.0	10.0	15.0	20.0	M6	1000
DMH-236	15.0	6.0	5.0	3.6	10.0	10.0	9.0	M8	1000
DMH-291	16.0	7.4	4.0	4.0	10.0	15.0	20.0	M8	1000
DMH-315	15.0	8.0	5.0	5.0	10.0	10.0	15.3	M10	500
DMH-362	18.0	9.2	5.0	5.0	10.0	15.0	25.0	M10	500
DMH-394	20.0	10.0	7.5	5.7	10.0	10.0	19.3	M12	500
DMH-433	20.0	11.0	5.0	5.0	10.0	15.0	25.0	M12	500

### CONICAL PLUG WITH HANDLE

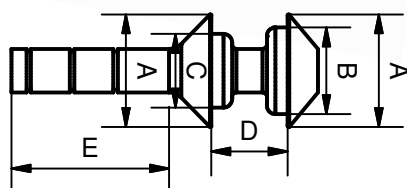
A conical plug with a handle for masking threaded or smooth holes. The handle makes removal easier.



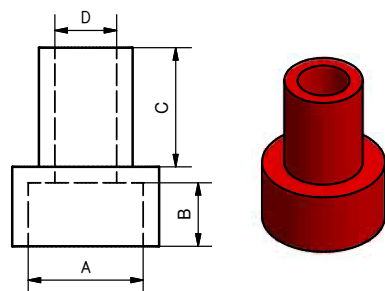
Art. No.	A mm	B mm	C mm	D mm	E mm	Fits	Pcs/box
KPH-125-H	3.2	0.8	15.9	25.4	3.2	M3	1000
KPH-125-625-H	3.2	1.6	15.9	25.4	3.2	M4	1000
KPH-187-625-H	4.8	1.6	15.9	25.4	3.2	M5	1000
KPH-250-750-H	6.4	3.2	19.1	31.8	3.2	M6	1000
KPH-343-625-H	8.7	4.8	15.9	28.6	4.8	M8	1000
KPH-375-750-H	9.5	6.4	19.1	31.8	6.4	M10	1000

### DOUBLE WASHER NUT PLUG

Nut mask for welding nuts, pressure nuts that cover both sides of the nut.



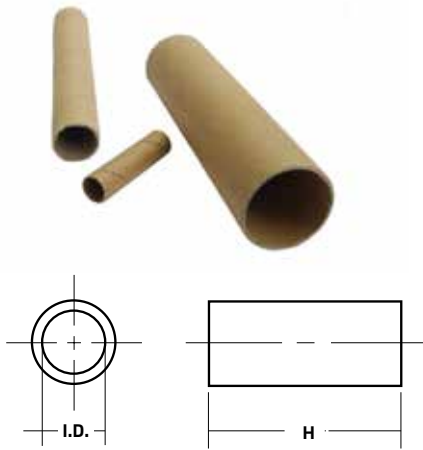
Art. No.	A mm	B mm	C mm	D mm	E mm	Pcs/box
MM-M6-BE	6.3	4.9	4.5	4.2	14.5	2000
MM-M8-YW	8.5	6.6	6	5.7	16	2000
MM-M10-BN	10.7	8.2	7.3	6.5	17	2000
MM-M12-RY	13	10	8.5	8.8	18	1000
MM-M14-GN	14.8	11.7	10.2	10.5	20	500



### MAGNET MASK

Mask for magnet systems.

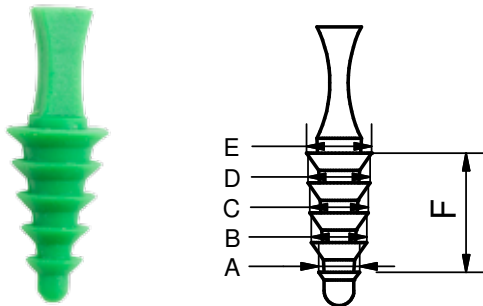
Art. No.	A mm	B mm	C mm	D mm
MAGNM14,5	14.5	8	15	7.8



## CARDBOARD MASK

Cardboard mask for threaded axles.

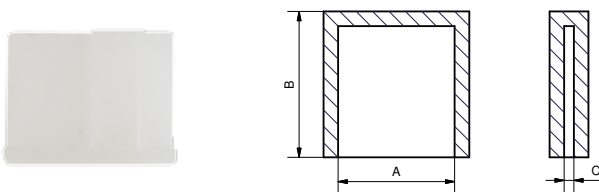
Art. No.	I.D. mm	H mm
TU-M5	5	25
TU-M6	6	35
TU-M8	8	35
TU-M10	10	40
TU-M12	12	40
TU-M16	16	40
TU-M20	20	50
TU-M24	24	50
TU-M5	5	50
TU-M6	6	70
TU-M8	8	70
TU-M10	10	80
TU-M12	12	80
TU-M16	16	80
TU-M20	20	100
TU-.24	24	100



## PLUG WITH FLANGE

Plug with a flange that protects the entry thread.

Art. No.	A mm	B mm	C mm	D mm	E mm	F mm	Pcs/box
PMF-4	4	6	8	10	12	13.7	1000
PMF-8	8	10	12	14	16	23	500
PMF-10	10	12	14	16	18	22.7	250



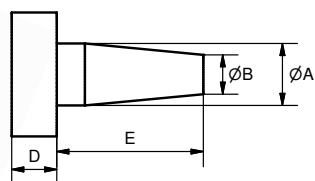
## FLAT PIN MASK

A flat pin mask with a grip for easy removal.

Art. No.	A mm	B mm	C mm	Pcs/box
FLS-1	3.99	19.99	0.61	1000
FLS-2	5.89	11	0.79	1000
FLS-3	6.35	10.92	0.79	1000
FLS-4	7.92	8.26	0.64	1000
FLS-5	11.68	7.11	0.89	500
FLS-6	11.94	9.5	1.02	500
FLS-7	12.45	17.45	1.19	500
FLS-8	12.98	50.04	1.02	500

## PLUG FOR SQUARE PIPE

The plug is available in different sizes.

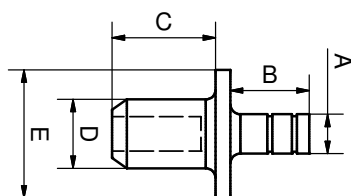


## PLUG WITH CIRCULAR MASK

Plug with a circular mask for holes. Larger head for easier removal.

Art. No.	A mm	B mm	D mm	E mm	Pcs/box
PMC-M3	7.0	3.0	7.0	13.0	500
PMC-118	7.0	3.0	4.9	12.7	500

Art. No.	A mm	B mm	D mm	E mm	Pcs/box
PMC-M4	8.0	5.0	8.0	14.0	500
PMC-311	7.9	5.1	4.9	12.7	500
PMC-201	11.0	5.1	4.7	9.8	500
PMC-M5	9.0	6.0	9.0	16.0	500
PMC-244	8.9	6.2	5.0	12.7	500
PMC-256	10.0	6.5	4.9	12.7	500
PMC-M6	10.2	6.4	10.2	17.6	500
PMC-M8	12.4	8.2	9.8	17.3	500
PMC-327	12.6	8.3	5.0	12.7	500
PMC-476	16.0	12.1	5.3	12.8	500

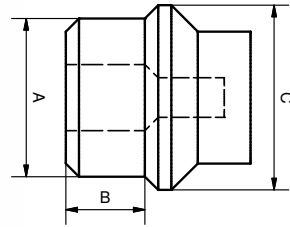


## SILICONE FLANGE PLUG

Nut mask that also protects the flat surface.

Art. No.	A mm	B mm	C mm	D mm	E mm	Pcs/box
SFP5	4	8	11	5	11	1000
SFP6	4	8	11	6	12	1000
SFP7	4	8	11	7	13	1000
SFP8	5	12	11	8	14	1000

Art. No.	A mm	B mm	C mm	D mm	E mm	Pcs/box
SFP9	6	12	11	9	15	1000
SFP10	7	15	11	10	16	1000
SFP11	8	15	11	11	17	500
SFP12	9	15	11	12	20	500
SFP13	10	15	13	13	21	500
SFP14	11	15	13	14	22	500
SFP15	12	15	13	15	23	500
SFP16	13	18	13	16	24	250
SFP17	14	18	13	17	27	250
SFP18	15	18	13	18	28	200
SFP19	16	18	13	19	29	200
SFP20	17	18	13	20	30	200

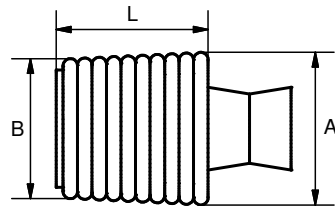


### PLUG MASKS

Cylindrical plug with a handle and flange to protect the entry thread. For threaded or smooth holes.

Art. No.	A mm	B mm	C mm	Fits	Pcs/box
PIG-138	2.8	5.3	3.5	M3	1000
PIG-161	3.5	5.8	4.1	M4	1000
PIG-207	4.5	5.6	5.3	M5	1000
PIG-208	5.3	7.5	6.3		500
PIG-210	5.3	5.1	6.4		500
PIG-218	5.5	5.1	6.6	M6	500

Art. No.	A mm	B mm	C mm	Fits	Pcs/box
PIG-218L	5.5	7.1	6.6	M6	500
PIG-278	7.1	5.1	8.1		500
PIG-278L	7.1	7.1	8.1		500
PIG-283	7.2	5.1	8.5	M8	500
PIG-283L	7.2	7.5	8.4	M8	500
PIG-336	8.5	6.4	9.8		500
PIG-336L	8.5	8.4	9.8		500
PIG-358	9.1	6.1	10.4	M10	250
PIG-358L	9.1	7.0	10.4	M10	250
PIG-394	10.0	8.9	11.4		250
PIG-426	10.8	8.8	12.4		250
PIG-451	11.5	8.9	13.0	M12	250
PIG-477	12.1	7.6	14.0		250
PIG-510	13.0	7.6	14.0	M14	250
PIG-583	14.8	10.4	17.0		100
PIG-643	16.3	9.5	18.6		100
PIG-724	18.4	13.0	20.6		100
PIG-825	21.0	9.5	23.2		100
PIG-840	21.3	13.6	23.9		100
PIG-896	22.8	16.0	24.1		100

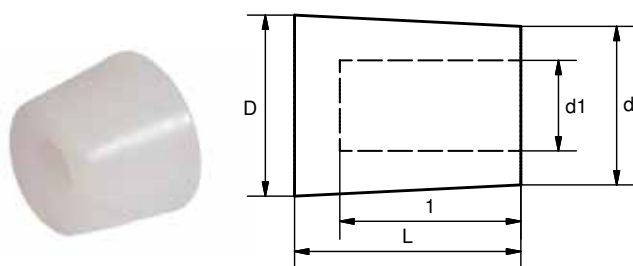


### THREADED PLUG

Threaded plug with flanges to protect the entry thread.

Art. No.	A mm	B mm	L mm	Pcs/box
GP-157-079	4.0	2.0	19.0	500
GP-236-157	6.0	4.0	25.4	500
GP-315-236	8.0	6.0	25.4	500
GP-394-315	10.0	8.0	25.4	500
GP-406-313	10.3	8.0	25.4	250

Art. No.	A mm	B mm	L mm	Pcs/box
GP-468-406	11.9	10.3	25.4	250
GP-472-394	12.0	10.0	25.4	250
GP-551-472	14.0	12.0	25.4	250
GP-562-468	14.3	11.9	25.4	250
GP-625-562	15.9	14.3	25.4	250
GP-630-551	16.0	14.0	25.4	250
GP-709-630	18.0	16.0	25.4	100
GP-718-625	18.2	15.9	25.4	100
GP-750-718	19.1	18.2	25.4	100
GP-787-709	20.0	18.0	25.4	100
GP-875-750	22.2	19.1	25.4	100
GP-886-787	22.5	20.0	25.4	50
GP-945-886	24.0	22.5	25.4	50
GP-1000-875	25.4	22.2	25.4	50
GP-1024-945	26.0	24.0	25.4	50
GP-1102-1024	28.0	26.0	25.4	50
GP-1125-1000	28.6	25.4	25.4	50
GP-1250-1125	31.8	28.6	25.4	50

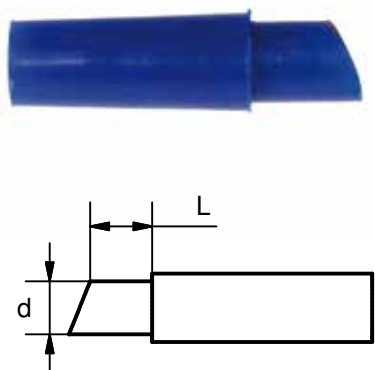


## HOLLOW SILICONE PLUG

Hollow silicone plug for threaded or smooth holes.

Art. No.	D mm	d mm	L mm	d1 mm	1 mm	Pcs/box
ISP-1100	27.9	24.0	25.4	13.0	19.1	100
ISP-1181	30.0	27.8	25.4	14.5	19.1	100
ISP-1260	32.0	26.2	25.4	15.5	19.1	100
ISP-1338	34.0	27.0	25.4	17.0	19.1	100
ISP-1438	36.5	30.2	25.4	17.5	19.1	100
ISP-1456	37.0	30.0	25.4	19.9	19.1	100
ISP-1535	39.0	31.0	25.4	21.8	19.1	100
ISP-1614	41.0	33.0	25.4	25.0	19.1	100

Art. No.	D mm	d mm	L mm	d1 mm	1 mm	Pcs/box
ISP-1625	41.3	33.4	25.4	20.7	19.1	100
ISP-1693	43.0	36.0	25.4	26.0	19.1	50
ISP-1750	44.5	37.3	25.4	24.6	19.1	50
ISP-1772	45.0	37.0	25.4	28.7	19.1	50
ISP-1810	46.0	38.0	25.4	25.3	19.1	50
ISP-1968	50.0	42.0	25.4	31.6	19.1	50
ISP-2086	53.0	45.0	25.4	32.3	19.1	25
ISP-2203	56.0	48.0	25.4	35.3	19.1	25
ISP-2469	62.7	50.0	25.4	31.0	15.9	25
ISP-2480	63.0	50.0	25.4	31.0	15.9	25
ISP-2500	63.5	54.0	25.4	34.9	15.9	25
ISP-2520	64.0	54.0	25.4	34.9	15.9	25
ISP-2677	68.0	58.0	25.4	51.0	19.1	25
ISP-2688	68.3	57.9	25.4	38.9	15.9	25
ISP-2953	75.0	61.9	25.4	42.9	15.9	25
ISP-2953-1375	75.0	61.9	34.9	42.9	25.4	25
ISP-3010	76.5	72.6	25.4	53.6	15.9	10
ISP-3228-1500	82.0	68.0	38.1	42.6	25.4	10
ISP-3500-1500	88.9	76.2	38.1	50.8	25.4	10
ISP-3543	90.0	75.0	25.4	49.6	12.7	10
ISP-3543-1535	90.0	75.0	39.0	62.5	30.0	10
ISP-4000-1500	101.6	82.6	38.1	57.2	25.4	10
ISP-4055-1535	103.0	83.0	39.0	71.5	30.0	10
ISP-5000-2000	127.0	88.9	50.8	78.0	30.0	5



## CYLINDRICAL THREADED PLUG

Cylindrical threaded plug with a cover for the entry thread.

Art. No.	d mm	L mm	Pcs/box
CGP-M3	2.5	5.0	1000
CGP-M4	3.4	6.7	1000
CGP-M5	4.3	7.5	1000
CGP-M6	5.1	7.5	1000
CGP-M8	6.9	10.0	1000
CGP-M10	8.5	13.0	500
CGP-M12	10.5	14.5	250

## START-UP PACKAGE

Our start-up package is an ideal way to find the right mask. Contact us to order your start-up package.

The start-up package contains:

Art. No.	Fits	Number
KP-187-750	M3	75 pcs
KP-250-1000	M4, M5	50 pcs
KP-343-1000	M6, M8	25 pcs
KP-437-1000	M10	25 pcs
KP-594-1000	M12	15 pcs
KP-625-1000	M14 / M16	10 pcs
KP-748-1000	M18	8 pcs
KP-787-1000	M20	5 pcs
KP-938-1000	M22, M24	4 pcs
KP-1063-1000	M25	3 pcs
KP-1250-1000	M28	2 pcs
SH-70-1000	M2	50 pcs
SH-100-1000	M3	40 pcs
SH-148-1000	M4	25 pcs
SH-180-1000	M5	25 pcs
SH-223-1000	M6	15 pcs
SH-295-1000	M8	15 pcs
SH-375-1000	M10	10 pcs
SH-456-1000	M12	10 pcs
SH-535-1500	M14	8 pcs
SH-562x1500	M14	8 pcs
SH-625-1500	M16	6 pcs
SH-687-1000	M18	4 pcs
SH-750-1500	M20	4 pcs



## TUMBLING MACHINE

A cleaning machine for silicone plugs. The plugs are tumbled. No chemicals are used – just water and stone chips. Environmentally friendly.

Art. No.	Capacity L	Height mm	Width mm	Depth mm	Weight kg	Output kW	Input volt/ampere
MT1 VT	5 eller 11	420	340	340	20	0.2	230/0.9





## SILICONE PRODUCTS

Here you will find our different silicone profiles.  
The silicone profiles are sold by the metre.

### 1. Silicone strip

Used for edge masking of metal constructions.

### 2. Silicone profile

Rectangular silicone profile. Customised.

### 3. Silicone foam

For masking of e.g. gaps between metal plates.  
Square or round.

### 4. Silicone bar

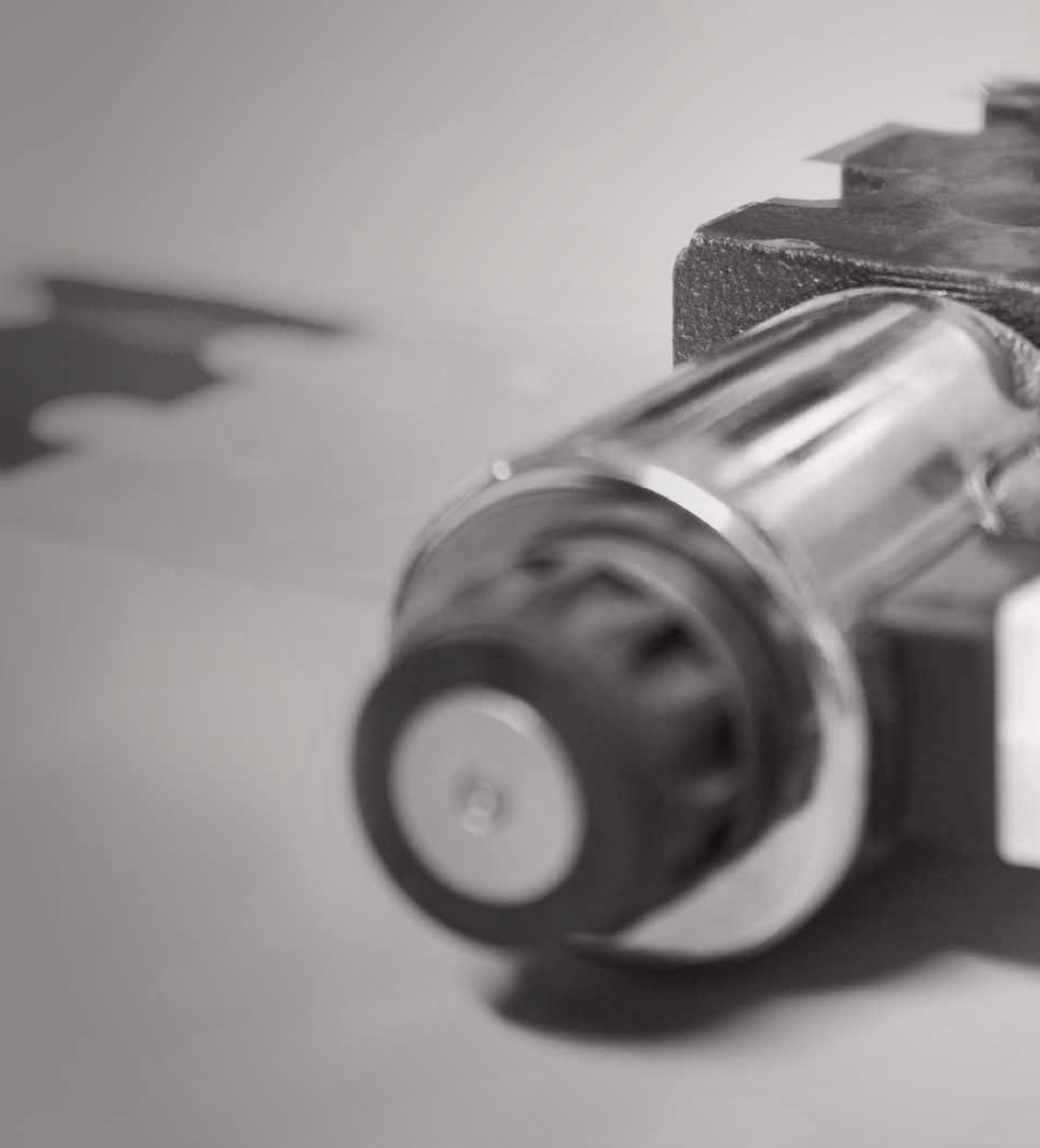
A solid bar, supplied in 25 m rolls. Available in  
diameters of 2–20 mm. Square version also available.

### 5. Silicone mat

Can be used for e.g. protection between two parts to  
avoid adhesion. Can also be used in the production  
of different profiles in smaller quantities. The mat is  
available in thicknesses of 1–8 mm

Art. No.	Thickness mm
Silmat 1.0	1.0
Silmat 1.5	1.5
Silmat 2.0	2.0
Silmat 3.0	3.0
Silmat 4.0	4.0
Silmat 5.0	5.0
Silmat 6.0	6.0
Silmat 8.0	8.0

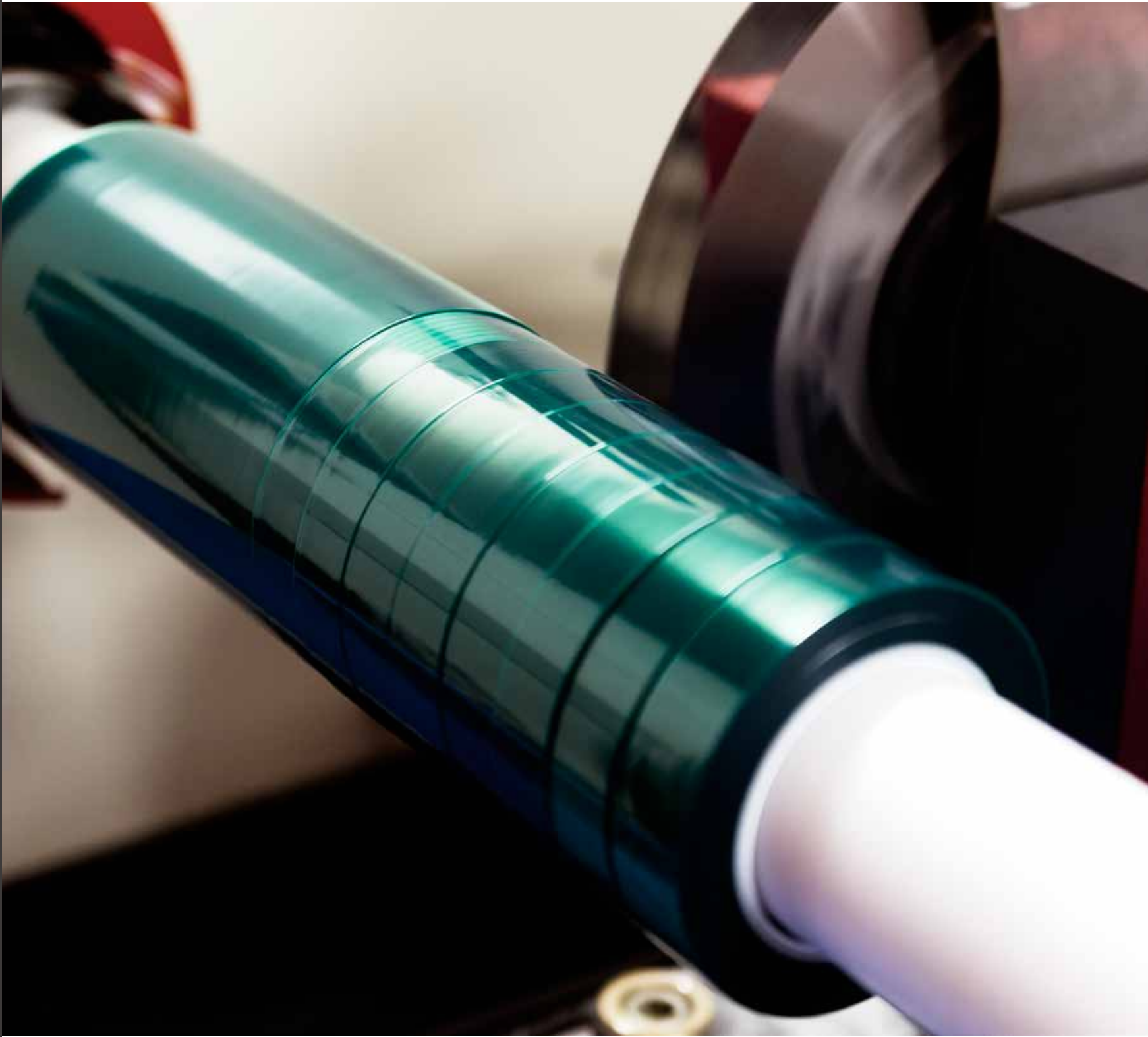






# Masking tape

74-85



## TAPE

Our tapes are available in different colours and designs. The tape rolls are cut according to your wishes in widths of 3–1000 mm.

### TAPE GREEN 210

Can be used at temperatures up to 220°C for approximately 25 minutes. Used in pre-preparation and for other purposes. Retains its function when cooled or heated. Also available with transparent adhesive.

Thickness **0,089 mm**

Breaking point **60%**

Adhesion to metal **800g.n. per 25 mm width**



### TAPE WHITE 200

A paper tape with a silicone adhesive. The tape is easy to tear off during application. Used mostly in conjunction with wet painting.

Thickness **0,175 mm**

Breaking point **10%**

Adhesion to metal **550g.n. per 25 mm width**



### TAPE BROWN 260

Tape 260 can be used at temperatures up to 370°C for short periods and at temperatures as low as -80°C. Resistant to a large number of solutions and pretreatment chemicals.

Thickness **0,065 mm**

Breaking point **50%**

Adhesion to metal **600g.n. per 25 mm width**



### TAPE BLUE 180

Same features as tape 210 green but more flexible, making it easier to mask irregular or uneven areas such as edges.

Thickness **0,068 mm**

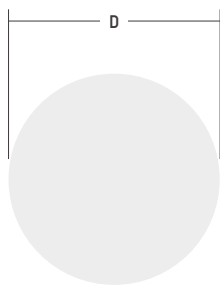




*Our tape can also be specially cut for masking specific shapes and areas.*



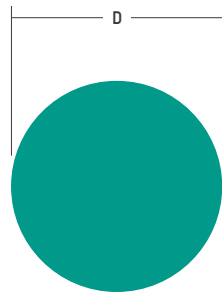
*A slit backing strip makes it is easier to remove the tape discs.*



**TAPE DISCS WHITE 200°C**

These transparent tape discs can also be ordered in a specified size. The discs are also available with a slit backing strip for easy removal.

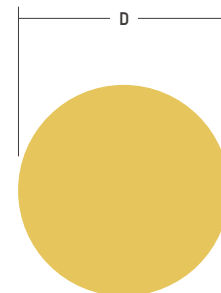
Art. No.	Dmm	No./roll
210T-6	6	5000
210T-8	8	5000
210T-9	9	5000
210T-10	10	5000
210T-11	11	5000
210T-12	12	2500
210T-13	13	2500
210T-14	14	2500
210T-15	15	2500
210T-16	16	2000
210T-18	18	1000
210T-19	19	2000
210T-20	20	2000
210T-22	22	2000
210T-25	25	2000
210T-30	30	1000
210T-32	32	500
210T-34	34	500
210T-38	38	500
210T-39	39	500
210T-41	41	500
210T-44	44	500
210T-48	48	500
210T-50	50	500
210T-54	54	500
210T-57	57	500
210T-60	60	250
210T-88,9	88,9	250



**TAPE DISCS GREEN 210°C**

The green tape discs can also be ordered in specific sizes. The discs are available with a slit backing strip for easy removal.

Art. No.	Dmm	No./roll
210-6	6	5000
210-8	8	5000
210-9	9	5000
210-10	10	5000
210-11	11	5000
210-12	12	2500
210-13	13	2500
210-14	14	2500
210-15	15	2500
210-16	16	2000
210-18	18	1000
210-19	19	2000
210-20	20	2000
210-22	22	2000
210-25	25	2000
210-30	30	1000
210-32	32	500
210-34	34	500
210-38	38	500
210-39	39	500
210-41	41	500
210-44	44	500
210-48	48	500
210-50	50	500
210-54	54	500
210-57	57	500
210-60	60	250
210-88,9	88,9	250



**TAPE DISCS KAPTON 370°C**

The yellow tape discs can also be ordered in specific sizes. The discs are available with a slit backing strip for easy removal.

Art. No.	Dmm	No./roll
260-6	6	5000
260-8	8	5000
260-9	9	5000
260-10	10	5000
260-11	11	5000
260-12	12	2500
260-13	13	2500
260-14	14	2500
260-15	15	2500
260-16	16	2000
260-18	18	1000
260-19	19	2000
260-20	20	2000
260-22	22	2000
260-25	25	2000
260-30	30	1000
260-32	32	500
260-34	34	500
260-38	38	500
260-39	39	500
260-41	41	500
260-44	44	500
260-48	48	500
260-50	50	500
260-54	54	500
260-57	57	500
260-60	60	250
260-88,9	88,9	250



**LEAD TAPE SILVER**

Lead tape is used for masking or as a moisture barrier in conjunction with chemical stripping and galvanising. The tape has excellent pliability and is heat resistant. The special adhesive prevents the tape from lifting at the edges.

Art. No.	Width mm	Maximum temp. °C	Metres/roll
LFT	6-500	110	33



**ALUMINIUM TAPE SILVER**

Aluminium tape can be used for masking in conjunction with galvanising. The adhesive can withstand high temperatures and can be used at temperatures up to 260°C

Art. No.	Width mm	Maximum temp. °C	Metres/roll
ALT	6-500	160	50



**FIBREGLASS TAPE WHITE**

Fibreglass tape can withstand temperatures up to 260°C and is extremely pliable, making it easy to apply around edges. Can be used in conjunction with e.g. powder painting and blasting.

Art. No.	Width mm	Maximum temp. °C	Metres/roll
GCL	5-500	260	33



**CREPE TAPE**

Crepe tape is often used in conjunction with wet painting. Available in two versions – one that can withstand temperatures up to 60°C and another that can withstand temperatures up to 200°C. The thinness of the paper makes it easy to remove after finishing has been completed.

Art. No.	Width mm	Maximum temp. °C	Metres/roll
CRT60	5-500	60	33
CRT200	5-500	200	33

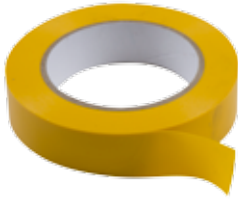


**BLAST TAPE WHITE**

Blast tape is a special tape that has been developed to offer strong protection in conjunction with sand blasting and shot blasting.

Art. No.	Width mm	Maximum temp. °C	Metres/roll
BLT	5-500	100	33





**VINYL TAPE**

Vinyl tape is resistant to acid, sun, water etc. It adheres particularly well to metal and plastic and is easy to apply due to its pliability.

Art. No.	Width mm	Maximum temp. °C	Metres/roll
VNT12,7x33	12.7	300	33
VNT19,1x33	19.1	300	33
VNT25,4x33	25.4	300	33
VNT38,1x33	38.1	300	33
VNT50,8x33	50.8	300	33



**SELF-VULCANISING SILICONE TAPE**

This tape is extremely flexible and is particularly suitable for uneven surfaces. On application, the tape stretches around the product and is applied overlapping, ensuring very compact masking. Can withstand temperatures up to 300°C.

Art. No.	Width mm	Maximum temp. °C	Metres/roll
SSFT	25	300	11
SSFT	38	300	11
SSFT	50	300	11



**TAPE WITH ADHESIVE-FREE CENTRE SECTION**

Used, for example, for long products. Simplifies application and removal as the adhesive surface is minimised. Also prevents adhesive from coming into contact with double-coated surfaces. The tape is also available punched with different profiles according to requirements.

Art. No.	Width mm	Maximum temp. °C	Metres/roll
TMAM	100–500	220	66



**LINER TAPE**

Tape for cutting on a plotter.

Art. No.	Width mm	Maximum temp. °C	Metres/roll
TML	100–1000	220	66



**AUTOMATIC TAPE DISPENSER M-1000**

After a piece of tape has been removed, a new piece appears automatically. The size can be seen clearly on the display and it is extremely easy to change. If a longer piece of tape is required, simply hold down the forward button until you have the desired length.

Art. No.	Dimensioner mm	Weight kg	Label width range mm	Label length range mm
M-1000	137x218x 150	3	7-50	5-999



**TAPE DISPENSER AL 1150D**

Ideal for small labels and small spaces. Fitted with a photosensor that is both accurate and reliable. Automatically detaches paper, vinyl, polyester, foil etc. from its liner. Winds in the liner automatically for a tidier working environment. No tools are required to change to a different width or length. No maintenance required. The motor can also handle larger rolls. The core and reel size need to be a minimum of 50 mm ID and a maximum of 250 mm UD.

Art. No.	Dimensioner mm	Weight kg	Label width range mm	Label length range mm
AL 1150D	210x210x 220	5	6-140	4-200



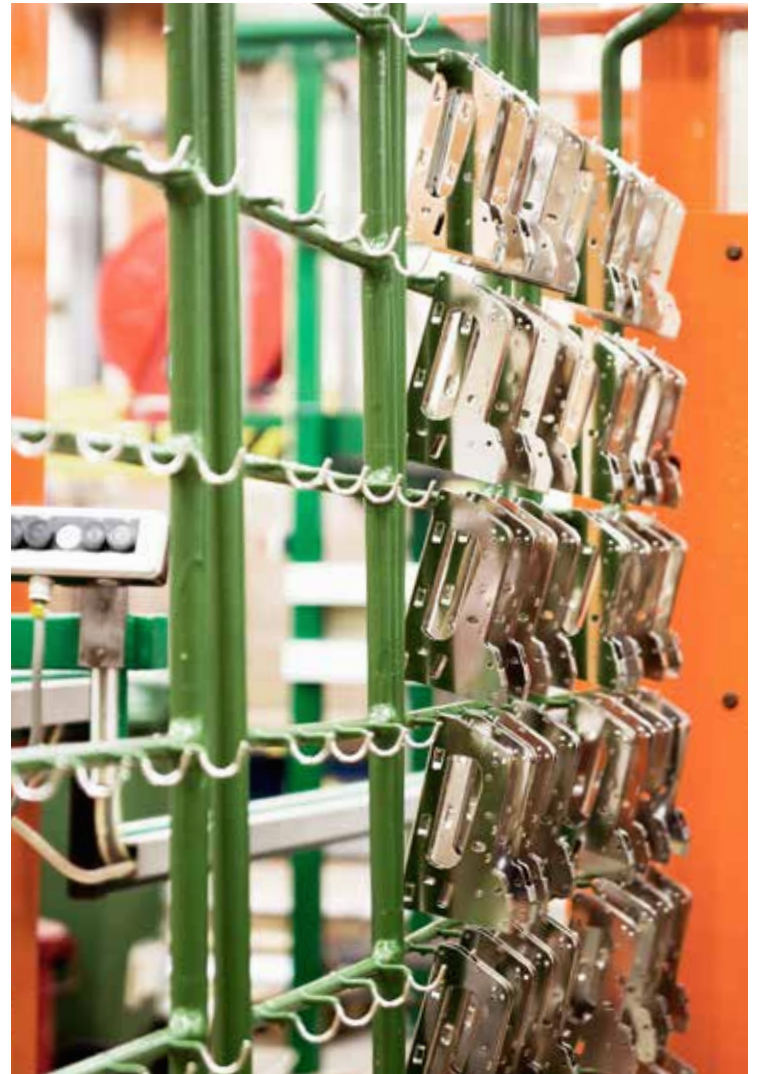
**TAPE DISPENSER ZCUT-2**

Permits up to 20 pieces of tape with a single press of a button. Ideal for several users at the same time. Safety button on the lid.

Art. No.	Dimensioner mm	Weight kg	Label width range mm	Label length range mm
ZCUT-2	300x165x 170	3.5	7-50	13-60







# Product overview

## Electroplating

Product name.....	Page
Adapted universal hanger.....	23
Axel ring.....	24
Brackets for titanium rings.....	25
Complete lead anode.....	20
Copper hook.....	20
Copper wire.....	20
Double metal finger ring.....	25
Fixed titanium ring.....	24
Fixture head 1.....	19
Fixture head 2.....	19
Fixture head 3.....	19
Fixture head 4.....	19
Fixture head 5.....	19
Frame hanger.....	23
Hanger for pipe construction.....	22
Internal tension ring.....	25
Metal clamp.....	22
Nuts.....	25
Pipe hanger.....	22
Plastic clamp.....	20
Plastic finger ring.....	24
Product-adapted hanger.....	23
Rectangular anodising basket.....	24
Round anodising basket.....	24
Screw hanger.....	22
Tension ring.....	25
Titanium basket for anodising.....	22
Titanium screws.....	25
Titanium tube with aluminium core.....	24
Universal hanger.....	25
Universal suspension system.....	18
Zinc basket.....	20

## Powder coating

Product name.....	Page
45° angle arrowhead.....	33
Adaptable strut with metal hook.....	31
Arrowhead for square pipes, small.....	33
Clip.....	36
Cold-forged arrowhead.....	33
Comb hook.....	34
Conveyor combs.....	34
Conveyor hook.....	34
Crocodile clamp.....	34
Double arrowhead.....	33
Magnet strut.....	30
Metal clamps for internal suspension.....	36
Product-adapted hanger.....	37
Profile clamp.....	35
Pull spring.....	35
Ring screw.....	35
Rotating conveyor hook.....	34
Simplified suspension system.....	29
Special attachment for wheel rims.....	37
Stainless steel metal clamp.....	33
Storage system.....	38
Straight arrowhead.....	33
Strut 1.....	31
Strut 2.....	31
Strut 3.....	31
Strut 4.....	31
Strut with sleeve.....	30
Strut with square pipe, large.....	30
Strut with square pipe, small.....	30
Suspension strut.....	32
Suspension system for towbars.....	37
Tension spring.....	35
Threaded sleeve.....	35
Turning link.....	35
Universal clamp UNIV1.....	36
Universal clamp UNIV2.....	36
Universal clamp UNIV3.....	36
Universal clamp UNIV4.....	36
Universal hanger.....	37
Universal suspension system.....	28
Wire hanger.....	37
Z-hook.....	32

## Hooks

Product name.....	Page
Hook 1.....	42
Hook 2.....	43
Hook 3.....	44
Hook 4.....	45
Hook 5.....	46
Hook 6.....	47
Special hooks.....	48

## Masking for holes and axles

Product name.....	Page
Axle masking.....	62
Conical flange plug.....	60
Conical plug.....	52
Conical plug with handle.....	67
CONS.....	63
Cylindrical thread plug.....	71
Flange sleeve.....	60
Flat pin mask.....	68
Hollow silicone plug.....	71
Magnet mask.....	63
MSC.....	67
Needle mask.....	68
Nut mask.....	61
Paper mask.....	63
Pipe mask.....	65
Pipe plug with flange.....	69
PL.....	69
Plug for square pipes.....	69
Plug mask.....	63
Plug with circular mask.....	68
Plug with flange.....	70
Silicone bar.....	72
Silicone flange plug.....	54
Silicone foam.....	59
Silicone mat.....	73
Silicone products.....	73
Silicone profile.....	73
Silicone sleeve.....	73
Silicone sleeve for steel tube.....	32
Silicone strip.....	73
Silicone tube.....	73
Sleeve with flange.....	53
Sleeve with handle.....	65
Sleeve, flat top.....	64
Square pipe mask.....	63
Start-up package.....	61
Step plug.....	72
Tension plug.....	56
Tension plug with cap.....	66
Tension plug with flange.....	57
Threaded plug.....	70
Tumbling machine.....	61
Universal tube, cut.....	61
Washer.....	66
Washer mask.....	58

## Masking tape

Product name.....	Page
Aluminium tape silver.....	80
Automatic tape dispenser M-1000.....	82
Blast tape white.....	80
Crepe tape.....	80
Fibreglass tape white.....	80
Lead tape silver.....	80
Liner tape.....	81
Self-vulcanising silicone tape.....	81
Tape blue 180.....	77
Tape brown 260.....	77
Tape discs green 210°C.....	79
Tape discs Kapton 370°C.....	79
Tape discs white 200°C.....	79
Tape dispenser AL 1150D.....	82
Tape dispenser ZCUT-2.....	82
Tape green 210.....	77
Tape white 200.....	77
Tape with adhesive-free centre section.....	81
Vinyl tape.....	81







# Get in touch!

Epifatech is located in the industrial enterprise area of Anderstorp. Being highly accessible and maintaining close collaboration with our customers are a priority in our day-to-day work. Feel free to contact us if you have any questions or thoughts about our products or our working methods.

## **EPIFATECH AB**

+46 (0)371-51 16 85  
info@epifatech.se

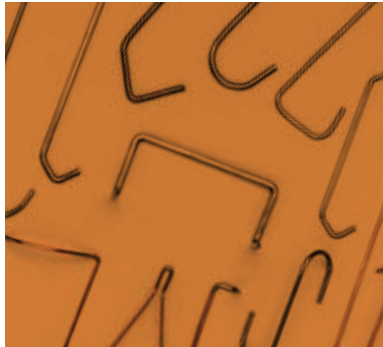
Visiting address:  
Mossarp 40  
SE-332 92 Gislaved

Postal address:  
Box 48  
SE-334 31 Anderstorp

[www.epifatech.se](http://www.epifatech.se)

## **Terms and conditions of sale**

*Terms and conditions of payment are 30 days net from the invoice date. We use electronic invoicing. Welded fixtures that are manufactured are saved for three years after the final delivery unless agreed otherwise. Delivery: Ex works.*



# EPIFATECH®

*makes surface to content*

When choosing suspension and masking technology, we are your obvious partner. Extensive experience and commitment built up over decades have made us a unique team member when it comes to surface finishing optimisation. We have evolved into a global company with representatives in several countries and with our own European sales and distribution system.

[www.epifatech.se](http://www.epifatech.se)